

HERITAGE

BATHROOMS

Installation Guide



Models Covered:

Salcombe Pillar Taps

**TSACC00, TSACBB00,
TSACBL00, TSACC01,
TSACBB01, TSACBL01**

Please keep this booklet for future reference.

Installer: When you have read these instructions, please ensure you leave them with the user.

INTRODUCTION

Thank you for buying a Heritage Product. When you buy a Heritage product, you can be confident that it not only features a beautiful, distinctive, classic design, but that it has also been made to the very highest quality standards.

To ensure that it works to its full potential, it needs to be fitted correctly.

These fitting instructions have been created to give you all of the information you need and, if you need any further help, please do not hesitate to give us a call on: 0330 026 8503.

CONTENTS

SAFETY NOTES	3
SPECIFICATION	3
PACK CONTENTS	4
TOOLS REQUIRED	4
INSTALLATION	5
MAINTENANCE	6-7
TROUBLESHOOTING	8
CARING FOR YOUR PRODUCT	9
GUARANTEE	9
NEED HELP?	9
NOTES	10-11



SAFETY NOTES

All products manufactured and supplied by Bristan are safe to use provided that they are installed, operated and receive regular maintenance in accordance with these instructions.

This product needs to be installed in accordance with, and meet the requirements of the Water Supply (Water Fittings) Regulations 1999 and current by-laws.

Isolation valves must be fitted to the inlet water supplies to ensure ease of future maintenance. Before installing this product the water supply must be thoroughly flushed in order to remove any swarf, solder etc. Full access must be made available for future maintenance/servicing purposes.

This product must not be modified in any way as this will invalidate the guarantee.

If in doubt, contact a registered plumber, your Local Water Authority or the Secretary of the Institute of Plumbing, address as follows:-

The Institute of Plumbing,
64 Station Lane,
Hornchurch,
Essex,
RM12 6NB, Tel: 01708 472791

SPECIFICATION

OPERATING PRESSURE RANGE (BAR): TSA__00 - Min 0.5 bar, Max 5.0 bar
TSA__01 - Min 0.2 bar, Max 5.0 bar

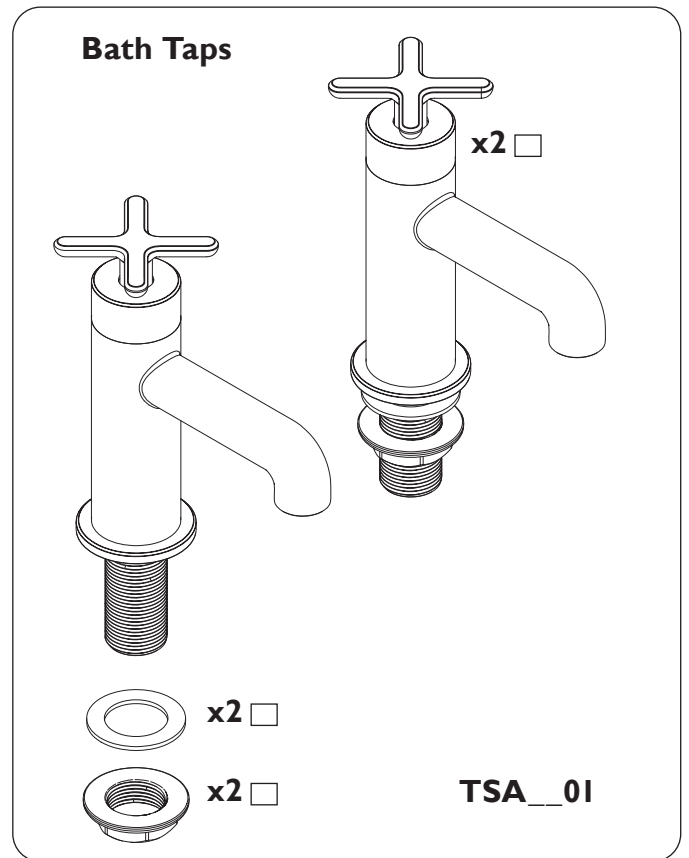
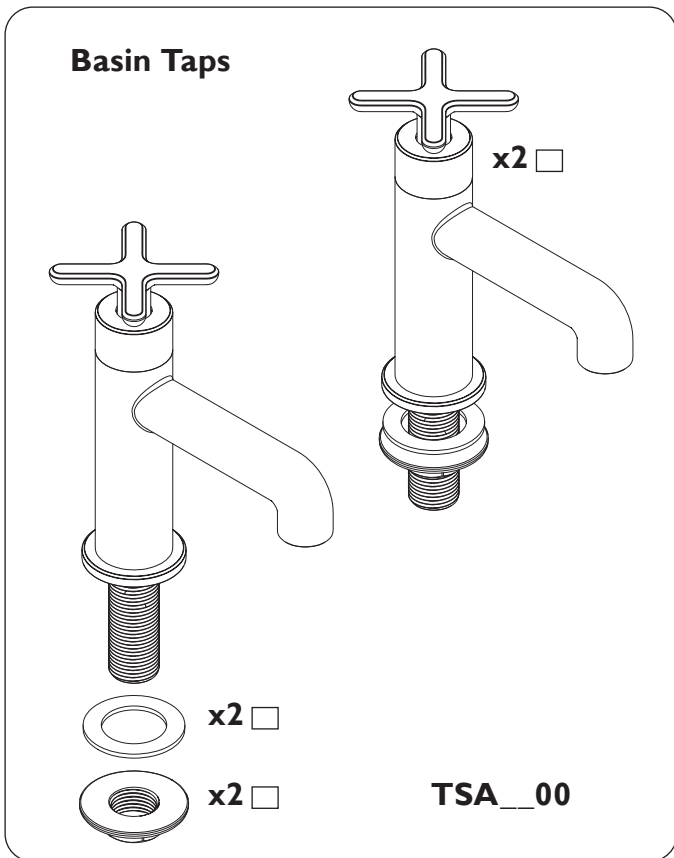
MAXIMUM STATIC PRESSURE (BAR): 10 bar

INLET WATER TEMPERATURE RANGE: Hot - Max 65°C

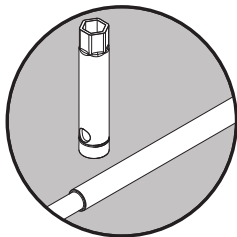
INLET CONNECTIONS: TSA__00 - 1/2" BSP
TSA__01 - 3/4" BSP



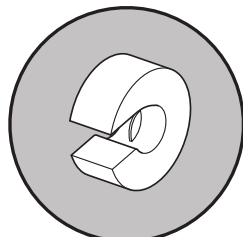
PACK CONTENTS



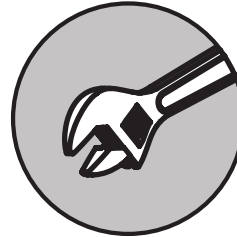
TOOLS REQUIRED



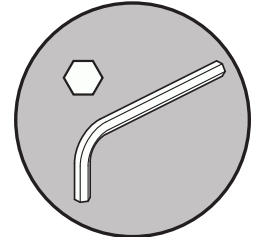
**24/32mm
Box Spanner**



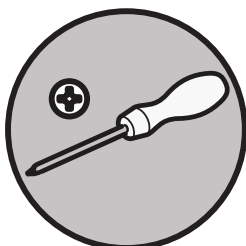
Pipe Cutter



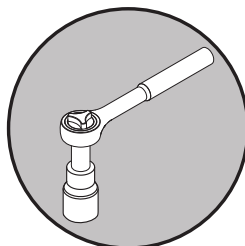
**Adjustable
Spanner**



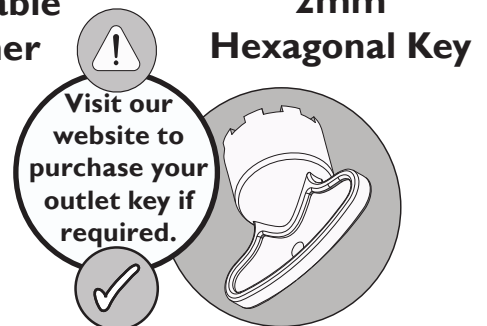
**2mm
Hexagonal Key**



Cross Head Screwdriver



17mm Socket Spanner

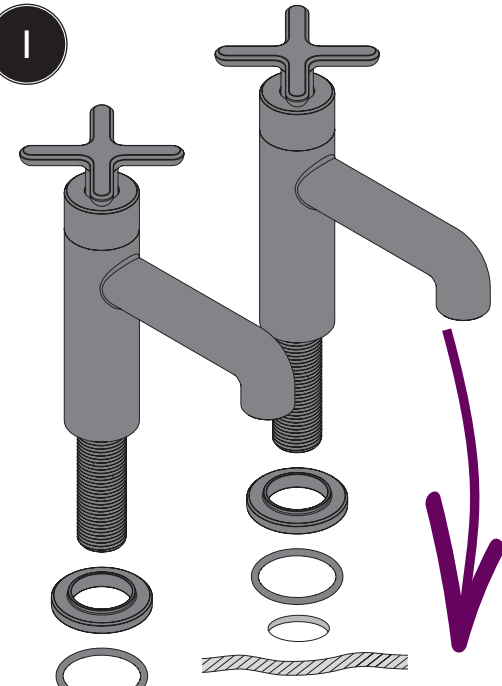


**16mm Outlet Key
(not supplied)**



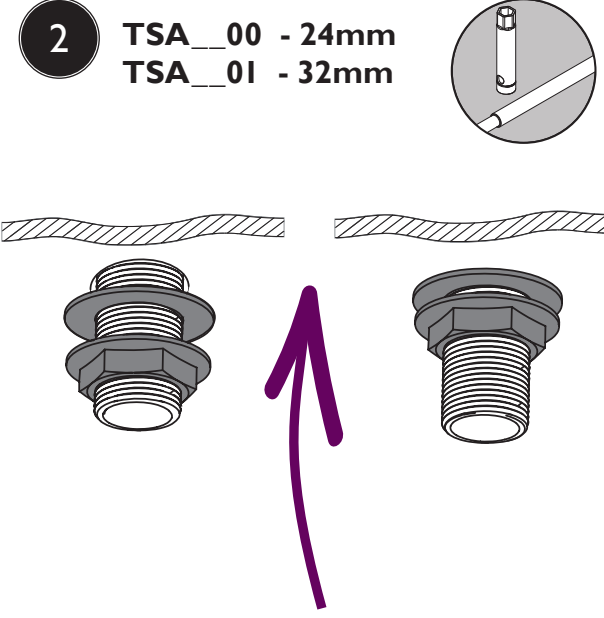
INSTALLATION

1



Fit the taps to the basin/
bath, ensuring the
plinth is in place.

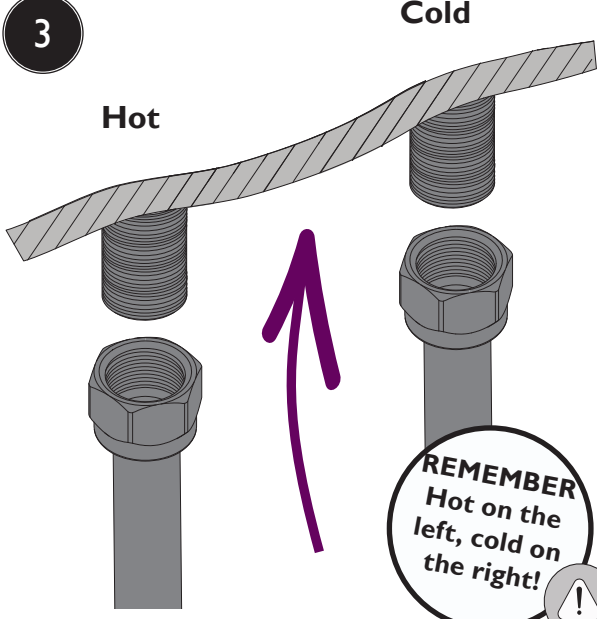
2 TSA__00 - 24mm
TSA__01 - 32mm



Secure the taps to the basin/bath
by using the washer and metal
backnut below the basin.

3

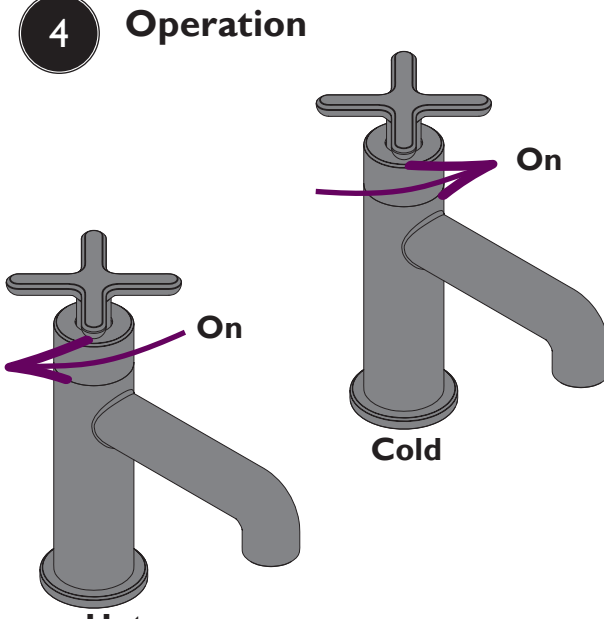
Hot Cold



Connect the hot
and cold water
supplies to the
threaded tails.

REMEMBER
Hot on the
left, cold on
the right!

4 Operation



Hot Cold

On On

Turn on the water supply
and check all joints and
connections for any leaks.

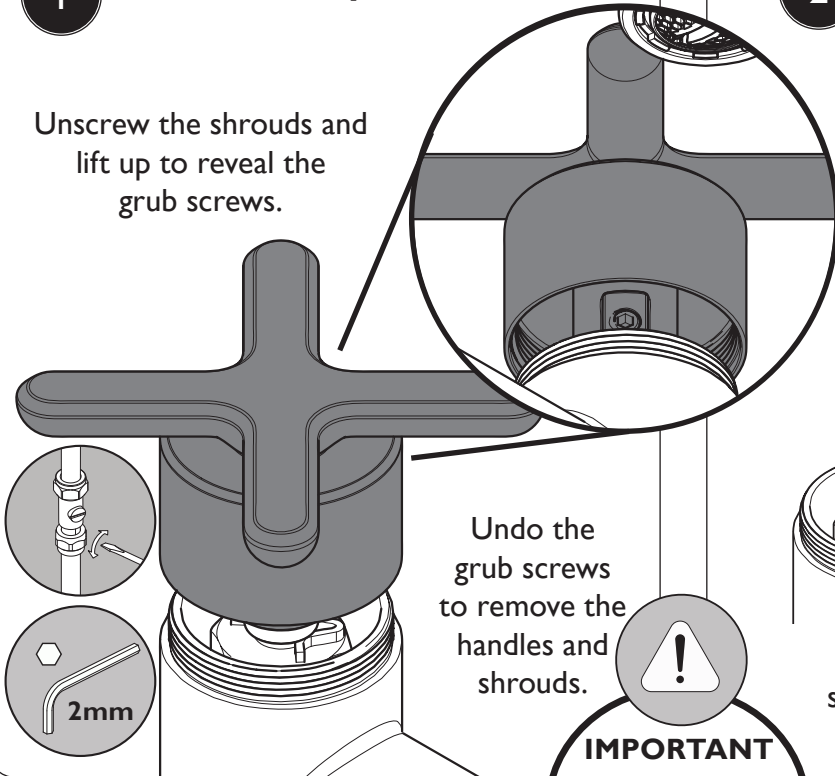


MAINTENANCE

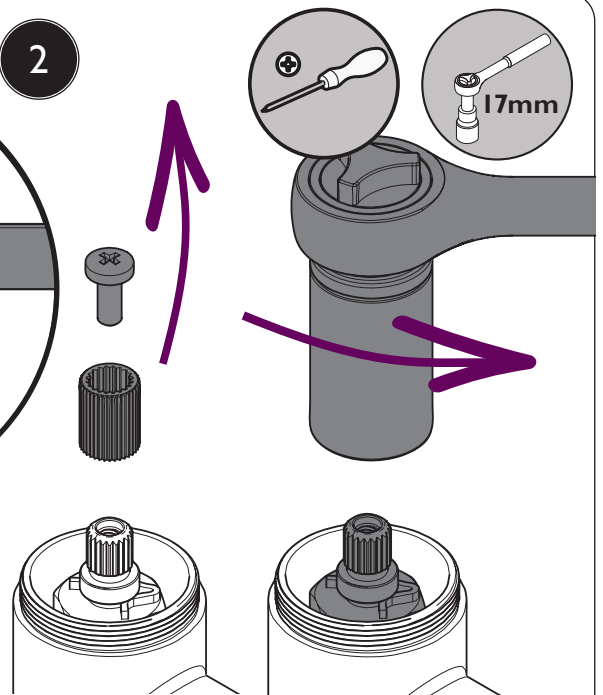
1

Remove/Replace Valves

Unscrew the shrouds and lift up to reveal the grub screws.



2



IMPORTANT

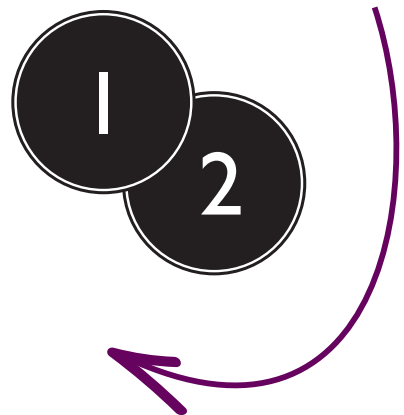
Isolate the water supply before starting!

3



Visit www.heritagebathrooms.com or scan the QR Code and search for your product code to replace valves if necessary.

4

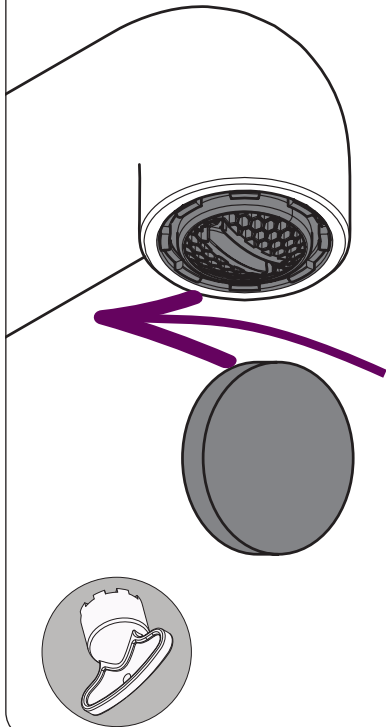


Reverse the steps to replace the valves and handles.



MAINTENANCE

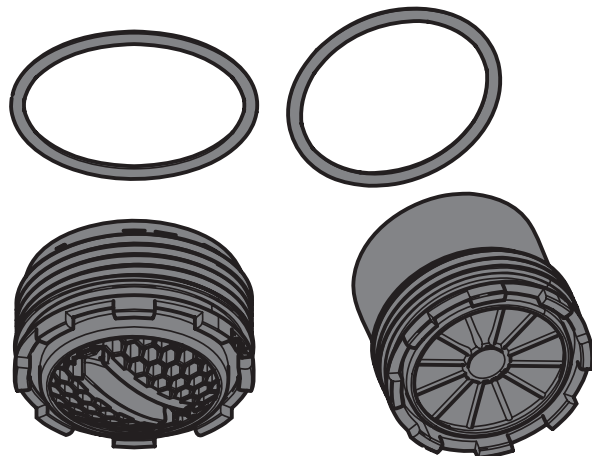
1 Clean/Replace Outlet



Using a coin or 16mm outlet key (not supplied), unscrew the outlets and remove, including the O-Ring.


Visit our website to purchase your outlet key if required.


2

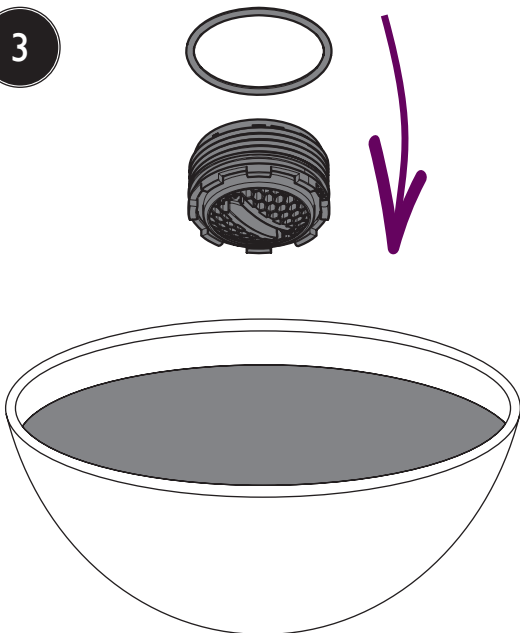


Basin Taps

Bath Taps

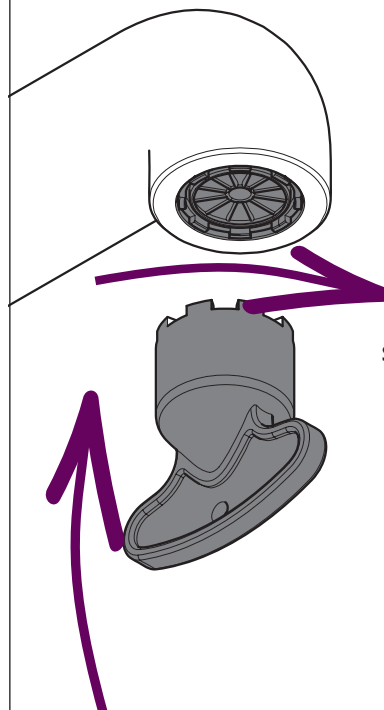
Check the outlets and seals for any damage, replace if necessary.

3



If there is no damage, soak the outlets in a suitable solution until fully de-scaled. Rinse the aerators and seals thoroughly to remove chemicals and debris.

4



Replace the outlets, ensuring the seals are in place. Turn back on the water supply and check the connections for any leaks.



TROUBLESHOOTING

Symptom	Cause	Remedy
No flow or low flow rate	Partially closed isolation valve.	Open isolation valve.
	Instantaneous water heater cycles on and off as flow rate or pressure is too low.	Increase water flow rate or pressure through system.
	Head of water is below the minimum distance required.	Refer to specification for minimum distance required.
	Hot or cold water being drawn off elsewhere causing pressure changes or instantaneous boiler temperature changes.	Do not use other water outlets when using the taps.
	Airlock or partial blockage in the supply pipework.	Flush through pipework to ensure removal of debris and any airlocks.
Water dripping from taps	This is normal for a short time after using the taps.	This is caused by residual water tension, the build up of water in the tap body.
	If water continues to drip, possibly due to the ceramic disc valves	Remove valves and clean, refer to 'Maintenance' section before starting any maintenance.
Taps do not turn on	Closed isolation valve.	Open isolation valve.
	Mains water supply turned off.	Turn on mains water supply.



CARING FOR YOUR PRODUCT

Heritage products are made from premium materials, with hand polished, PVD, EPD or electroplated finishes.

Your product should be regularly cleaned with warm water, a mild pH-neutral liquid soap, and polished with a soft cloth. Any residues from soap, toiletries etc. should be rinsed off straight after use.

Household bleaches and cleaners contain harsh chemicals and may damage the surface finish. Avoid using abrasive cloths, scouring pads, scrub sponges, steel wool or anything similar.

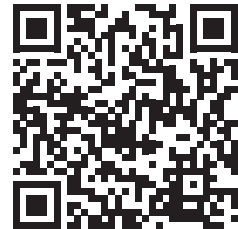
Some surfaces such as nickel and pewter may be affected by the dye found in some cloths, so it is also important to avoid leaving cloths on surfaces.

GUARANTEE

The confidence we have in the quality of our products and services enables us to offer a free peace-of-mind product guarantee from 2 years up to a lifetime guarantee against any manufacturing faults, with proof of purchase. In addition, our attentive customer service team are available to help solve any problems which may arise quickly and effectively so you can enjoy your bathroom.

To see the specific guarantee for this product, scan the QR Code or visit the following URL:

<https://www.heritagebathrooms.com/service-centre/guarantee>



NEED HELP?

If your product does not function correctly when you first use it, contact your plumber and make sure that it has been installed and commissioned in line with this Installation and User Guide supplied with the product. If this doesn't solve the problem, then please visit <https://www.heritagebathrooms.com/service-centre/help-and-advice> for some helpful hints and tips; or contact Heritage Customer Service on 0330 026 8503 where our expert team of advisors will be able to offer you, or your plumber, help and advice.



NOTES



NOTES



HERITAGE[®]

BATHROOMS

We love to see how Heritage products are used so please keep in touch and share pictures of your new bathroom with us.



@heritagebathrooms

If you have any queries, our dedicated customer service teams and products experts are available to help.

Email us enquire@heritagebathrooms.com Call us **0330 026 8503** Website www.heritagebathrooms.com

UK: Heritage Bathrooms, Pooley Hall Drive, Birch Coppice Business Park, Dordon, Tamworth B78 1SG

EU: Masco Europe S.à.r.l., 14 Rue Strachen, 6933 Mensdorf, Luxembourg.