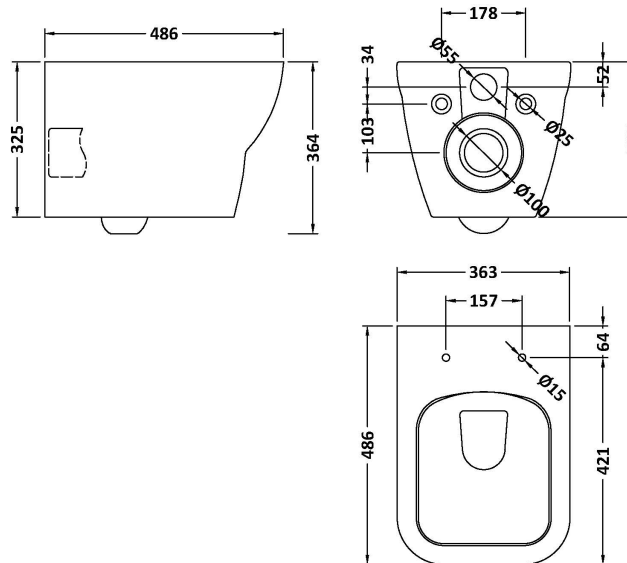


Sales Code: NCG441

Description: Ava Wall Hung Pan & Sc Seat (Urea)



### Product Dimensions

Height (mm):	364
Width (mm):	363
Depth (mm):	486
Nett Weight (kg):	24

### Packaging Dimensions

Height (mm):	420
Width (mm):	395
Depth (mm):	540
Gross Weight (kg):	25

### Packaging Data

Box Colour:	Brown Cardboard Box
Box Qty:	1
Label Size:	100 x 50
Label Colour:	White Label
Label Qty:	2

### Outer Box Dimensions (If Applicable)

Height (mm):	
Width (mm):	
Depth (mm):	
Gross Weight (kg):	
Barcode:	5056462688725

### Product Details

Country of Origin:	China
Fitting Instruction:	No
Certification:	CE: No WRAS: N/A WRAS No: N/A
Product Material:	Vitreous China
Fixing Supplied:	No

<b>Pans/Bidets:</b>	Trap Style:	Includes Seat: Yes
---------------------	-------------	--------------------

<b>Seats:</b>	Seat Type: N/A	Material: Urea
	Function: Soft Close	Hinge Type: Top Fix, Quick Release
	Hinge Material: Stainless Steel	

<b>Cisterns:</b>	Operating Type: Not Applicable	Fittings: Not Applicable
	Lever Type: N/A	

<b>Basins:</b>	Tap Hole: Not Applicable	Chain Stay Hole: Not Applicable
	Template: Not Applicable	Waste Type Req: Not Applicable
	Overflow Inc: Not Applicable	Overflow Cover: Not Applicable
	Inner Bowl Depth (mm): N/A	