



Specification

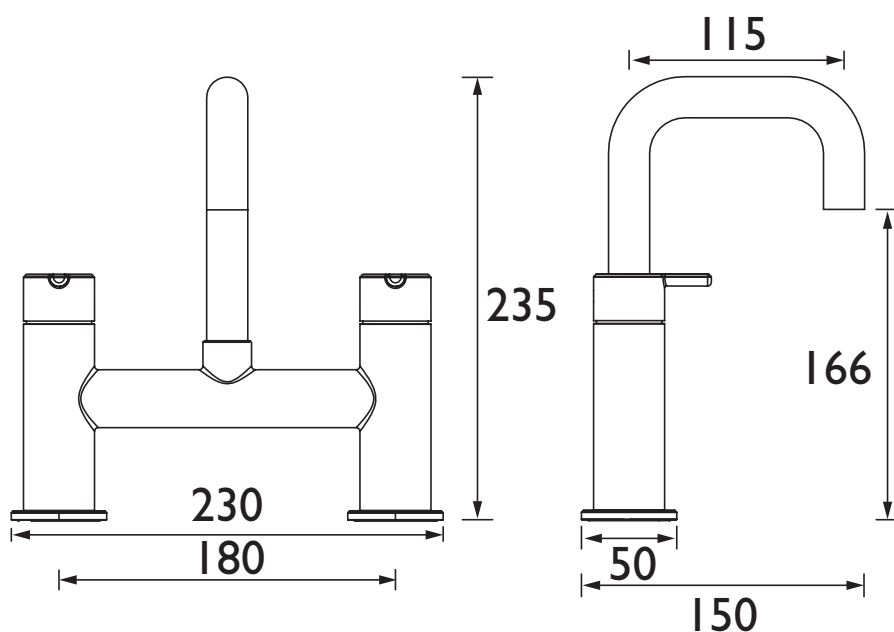
Product Type:	Bathroom Tap
Main Construction Material:	Brass
Mount Type:	Deck
Handle Type:	Lever
Connection Inlet:	3/4" BSP
Connection Outlet:	M16.5x1 Aerator
Number of Tap Holes:	2
Valve/Cartridge Type:	3/4" Ceramic Disc Valve - 1/4 Turn
Plumbing System Requirements:	Suitable for all plumbing systems
Minimum Dynamic Pressure (bar):	0.2 bar
Maximum Dynamic Pressure (bar):	5.0 bar
Maximum Hot Water Temperature °C:	65°C
Maximum Static Pressure (bar):	10 bar
Flow Type:	Single
Isolation Included:	No

Features:

- Compatible with low pressure water systems, optimised for UK market
- Quarter turn ceramic discs - for smooth operation and added durability
- Available in a selection of finishes

Product Certifications:

Dimensions (measurements in mm)



Additional Information:

Flow Rates (l/min)

System Pressure (bar)	0.2	0.5	1	2	3	5
TDACC07 (mixed)	14.1	24.1	34.7	50	60.9	78.6