

# HERITAGE

## BATHROOMS

### *Installation Guide*



Models Covered:

**Lynton Furniture**

**Lynton Basins**

Please keep this booklet for future reference.

Installer: When you have read these instructions, please ensure you leave them with the user.

---

# INTRODUCTION

---

Thank you for buying a Heritage Product. When you buy a Heritage product, you can be confident that it not only features a beautiful, distinctive, classic design, but that it has also been made to the very highest quality standards.

To ensure that it works to its full potential, it needs to be fitted correctly.

These fitting instructions have been created to give you all of the information you need and, if you need any further help, please do not hesitate to give us a call on: 0330 026 8503.

---

## CONTENTS

---

SAFETY NOTES	3
INSTALLER GUIDELINES	4
TOOLS REQUIRED	5
INSTALLATION - FREE STANDING & WALL HUNG TALL CABINETS	6-8
INSTALLATION - WC UNIT	9
INSTALLATION - FREE STANDING CLOAKROOM UNIT	10-11
INSTALLATION - WALL HUNG CLOAKROOM UNIT	12-13
INSTALLATION - FREE STANDING CABINET	14-15
INSTALLATION - WALL HUNG CABINET	16-17
INSTALLATION - BASINS	18
INSTALLATION - HINGES	19
HINGE ADJUSTMENTS	20
DRAWER REMOVAL	21
DRAWER ADJUSTMENTS	22
CARING FOR YOUR PRODUCT	23
GUARANTEE	23



---

# SAFETY NOTES

---

Please make sure you read these instructions and retain for future use.

All products manufactured by Heritage Bathrooms are safe, providing they are installed and used correctly and also receive maintenance when needed.

Basins including the connecting water and waste system need to be installed in accordance with and meet the requirements of the Water Supply Regulations 1999 (Water Fittings) and current by-laws.

If you are in doubt about your ability to install this product correctly or safely, you should employ the services of a competent person who has experience of fitting products of this nature.

This product must not be modified in any way otherwise this will invalidate the guarantee.

Consider the following whilst using power tools:

- Prior to drilling into walls, check there are no hidden electrical cables or wires and there are also no water pipes. These can potentially be found using an electrical or metal detector. You may also need to know some of the schematics of previous installations to determine the suitability and accommodation of the installation.
- Wear the correct PPE, especially ear, eye and hand protection when using power tools. Unplug any mains equipment after use.
- Keep electrical equipment away from sources of water.
- If a blow-lamp is used when plumbing, the flame must be kept well away from the product otherwise damage may occur.

Basins are very heavy; a lifting aid or second person at minimum will be required to manoeuvre safely.



---

# INSTALLER GUIDELINES

---

The installation of these products greatly depends on the floor and wall being level. If this is not the case, it must be corrected before installation.

Installing this product requires experience within plumbing. No responsibility will be taken for poor workmanship resulting in leaks and injuries. Please ensure that the installation and accommodation is designed with future serviceability of the product in mind. It is strongly advisable to fit isolation valves before the water fixtures in case isolation is required at any point during maintenance.

Failure to observe crucial information in these fitting instructions will nullify your guarantee. In the event a future claim is made under the product warranty, compensation costs may be affected if the ability to service the product has not been considered in the original design.

The furniture in this booklet comes mostly assembled. Shelves will need to be installed once furniture is in position and fixed. Wall Cabinets will need to be fitted on solid walls capable of some load bearing. Use wall fixings suitable for your wall construction (not supplied). Plasterboard or stud walls can be screwed directly into the timber frame, but may require specialist fixings to secure the furniture. Appropriate wall plugs will need to be used for any masonry walls. Please Note: Your furniture is not a load-bearing fixture after installation. Make sure the appropriate fixings are used to secure and to ensure the weight is supported.

Consider and plan the installation of your basin taps and waste whilst installing the basin. They may have to be pre-fitted before fitting the basin to the furniture unit. Careful planning is also required to ensure the waste and water supply pipes are contained within the confines of the unit.

Please note, taps and wastes are supplied separately. Please follow those fitting instructions for information on how to prepare for installation. Do not over-tighten taps or wastes to the basin as this may damage the ceramic surface. Place your basin on a soft surface to prevent scratches and damage during installation.

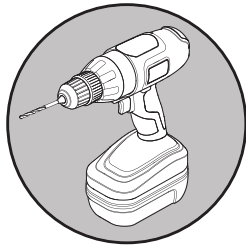




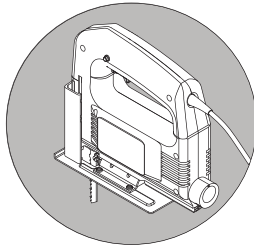
---

# TOOLS REQUIRED

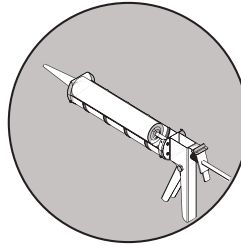
---



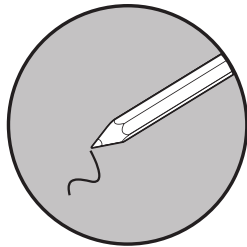
**Drill**



**Jigsaw**



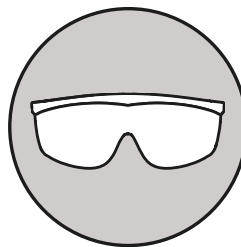
**Silicone Gun**



**Pencil**



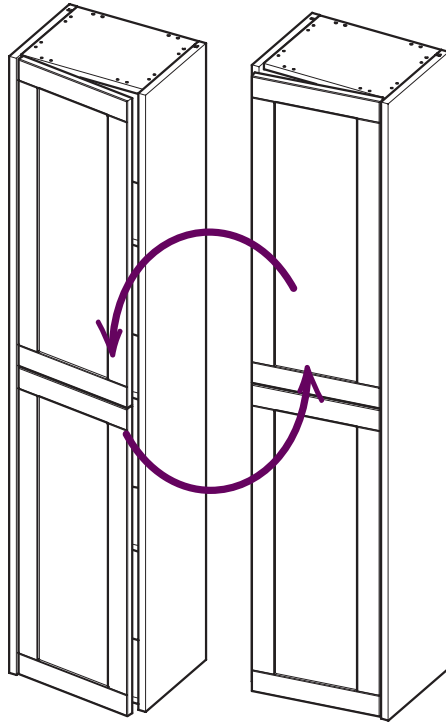
**Cross Head  
Screwdriver**



**Safety  
Goggles**

# INSTALLATION - FREE STANDING & WALL HUNG TALL CABINETS

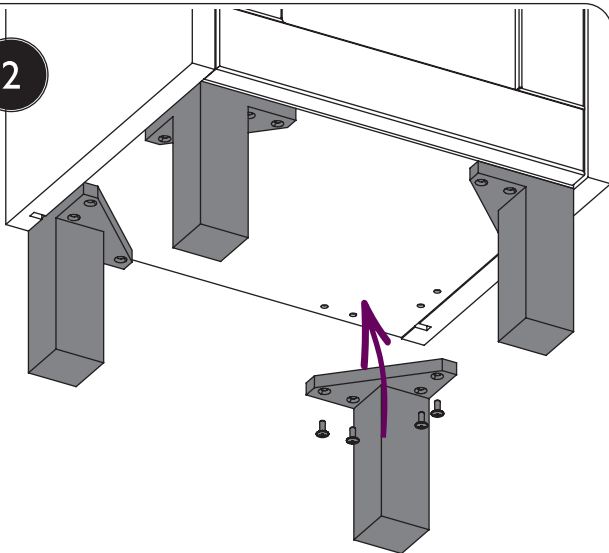
1



If required to aid installation, remove required skirting boards before fixing.

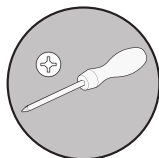
Our tall cabinets give you the option to fit the door left or right handed by changing the orientation of the unit.

2



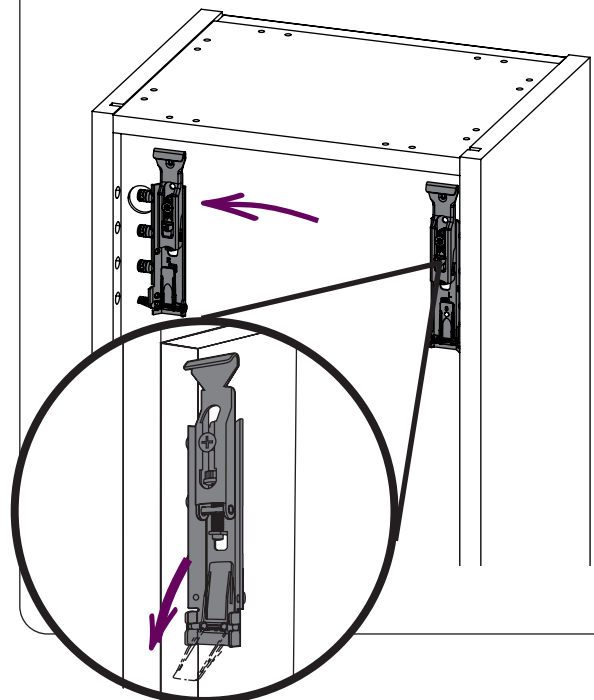
## FREE STANDING UNIT ONLY

Once the orientation of the cabinet is decided, attach the legs to the bottom of the unit using the screws provided.



3

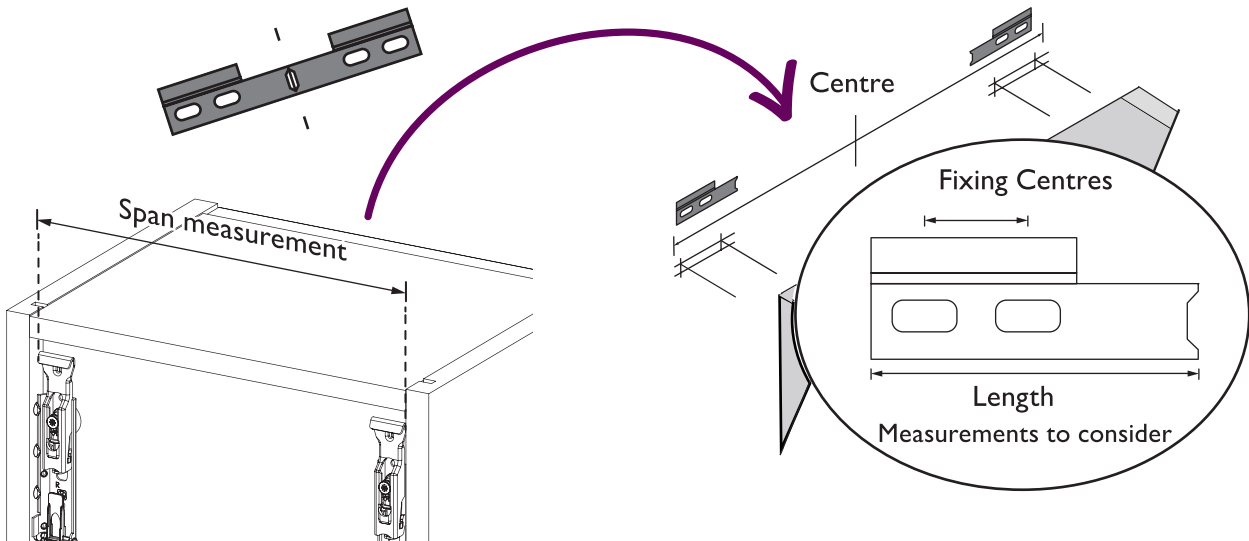
Both the free standing and wall hung cabinet must be fixed to the wall. Push the wall brackets into the holes that are on the top inner sides of the back of the unit. Pull down the lever to lock in place.



# INSTALLATION - FREE STANDING & WALL HUNG TALL CABINETS

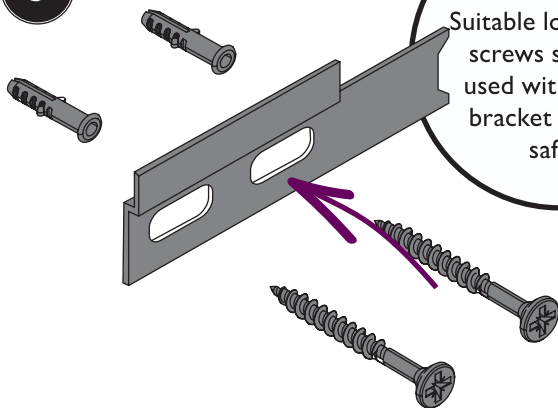
4

Snap the wall plate in half.



Determine favoured position of cabinet and mark a vertical centre point on the wall. Measure the span of the wall hanging brackets and transfer measurement to wall measurement out from the centre point to give a central position for the cabinet.

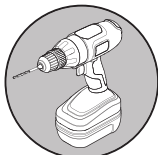
5



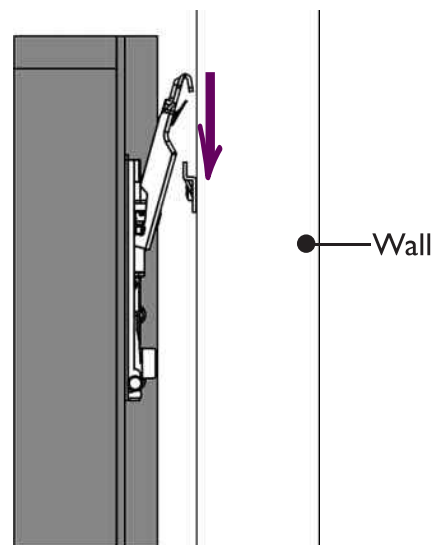
**IMPORTANT**

Suitable load bearing screws should be used with the unit bracket for extra safety.

Fit the wall plates to the wall using appropriate fixings (not supplied) using a long spirit level to make sure levelling is accurate. Plates should not be wider apart than the spanned measurement of the wall hanging brackets.



6

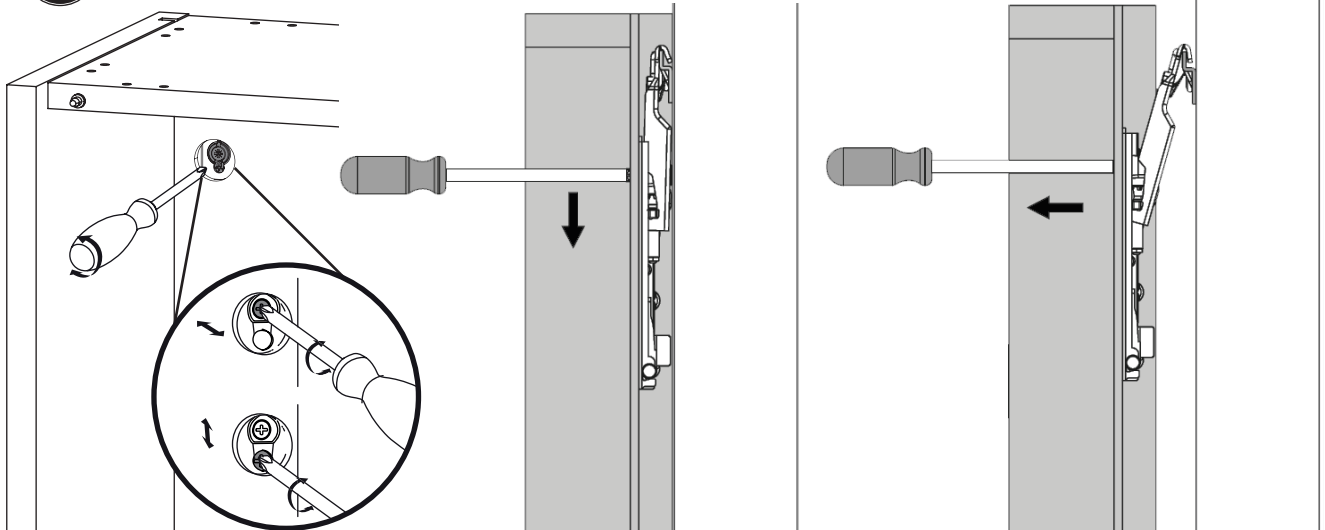


Hang cabinet in position on wall plates by adjusting the bracket to allow enough of the hanger to protrude and hook onto the plate.

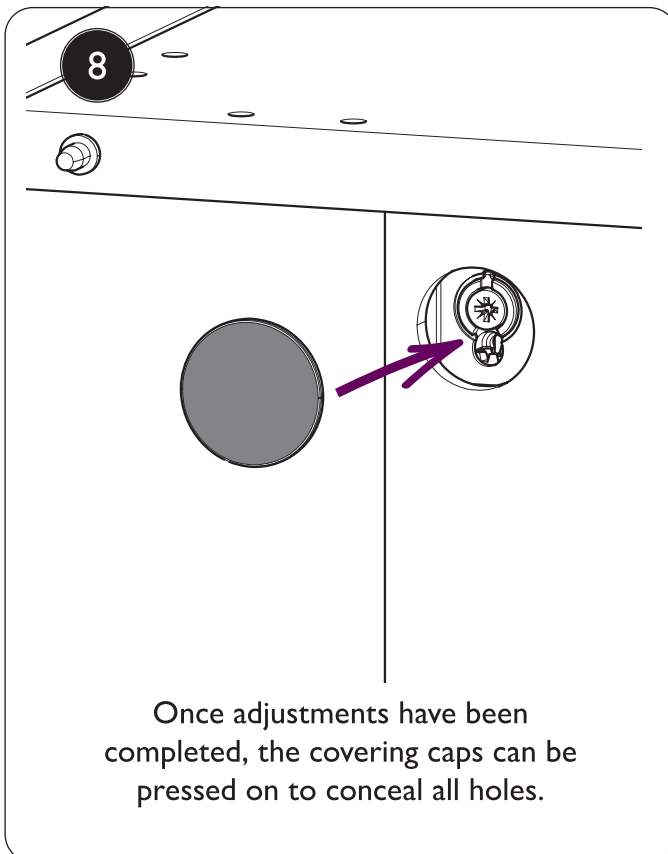


# INSTALLATION - FREE STANDING & WALL HUNG TALL CABINETS

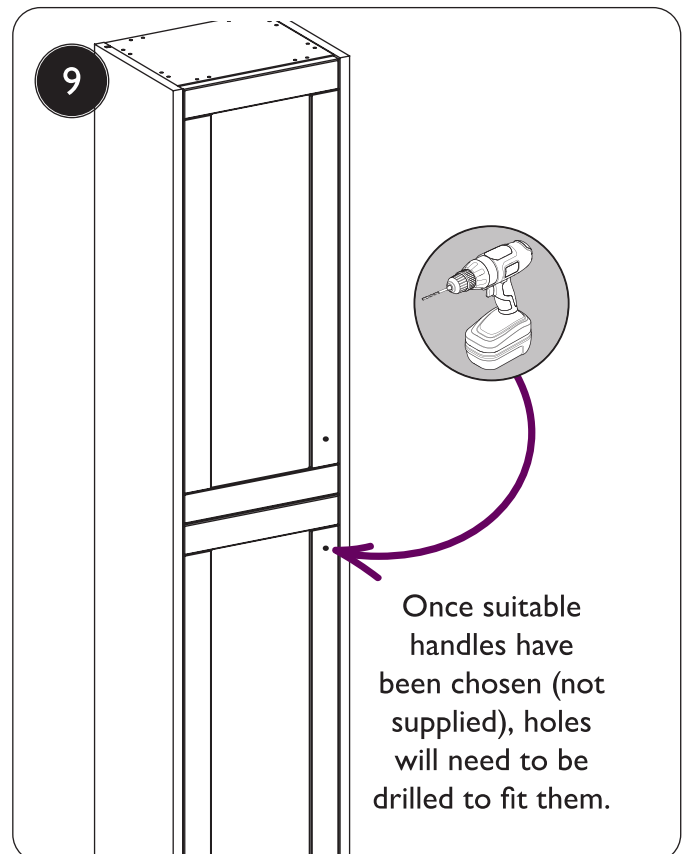
## 7 Wall Bracket Adjustment



The wall brackets can be adjusted from the inside of the unit. Turn the top adjustment screw to adjust the unit from front to back. This allows unit to tilt forwards or backwards from the wall and lock unit onto wall plates. Insert the screwdriver into the hole below the top screw and turn to move unit up and down. By adjusting at both sides the unit can be levelled.



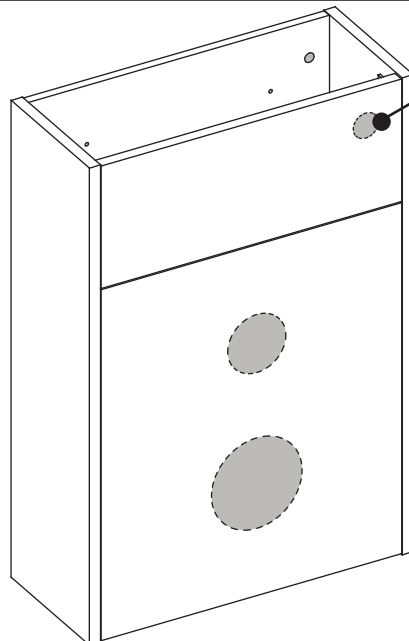
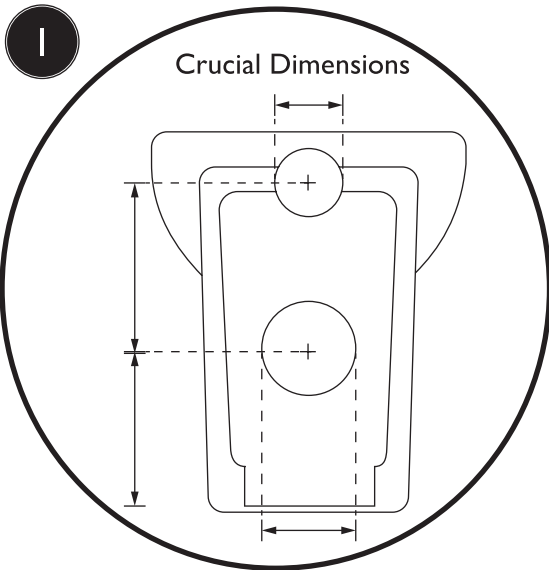
Once adjustments have been completed, the covering caps can be pressed on to conceal all holes.



Once suitable handles have been chosen (not supplied), holes will need to be drilled to fit them.



# INSTALLATION - WC UNIT

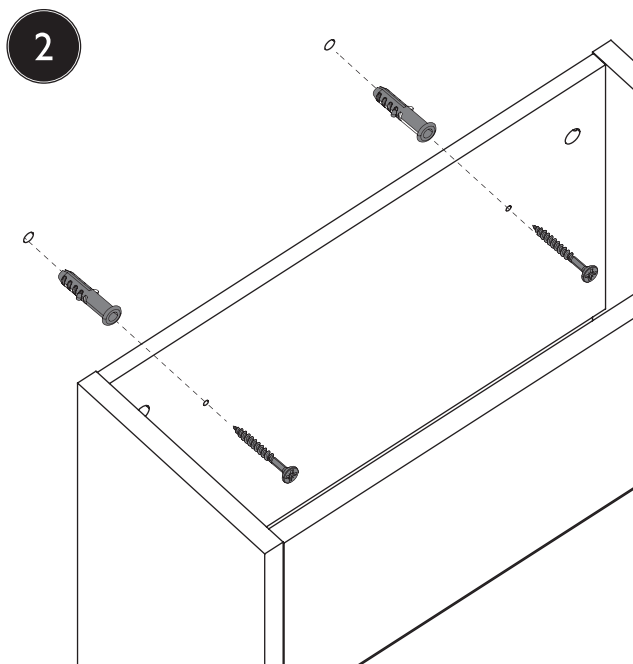
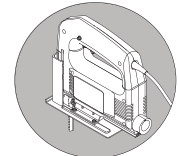
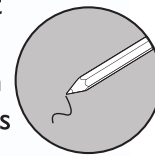


Push Button Hole

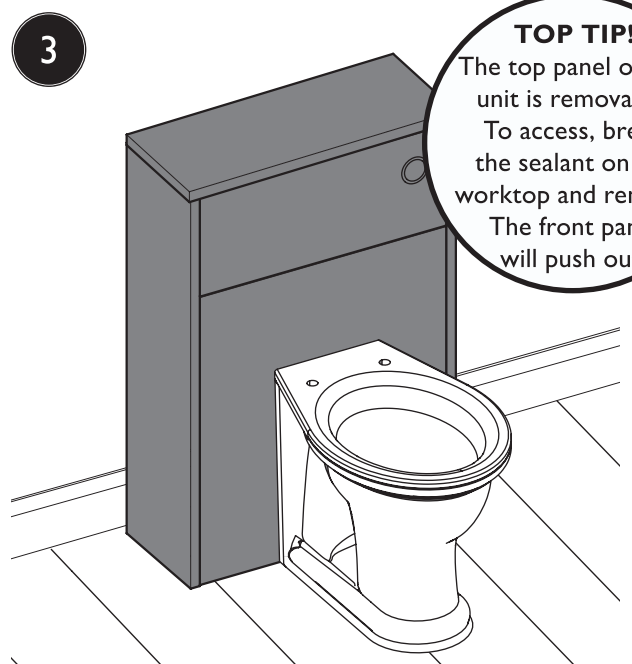


Before installing, ensure plumbing is in place first. If required to aid installation, remove required skirting boards before fixing.

The WC unit fascia is not pre-cut. Using your toilet pan as a guide cut out necessary area to allow installation. Take these crucial dimensions and cut out accordingly. The cistern push button should be installed in the upper fascia (measure the button before cutting). Seal cut out areas using suitable sealant to prevent water ingress.



Fasten unit to the wall using suitable fixings (not supplied) through the back brace of the unit.



3

### TOP TIP!

The top panel on the unit is removable. To access, break the sealant on the worktop and remove. The front panel will push out.

Refer to your concealed cistern, worktop and WC pan fitting instructions to complete the installation.



# INSTALLATION - FREE STANDING CLOAKROOM UNIT

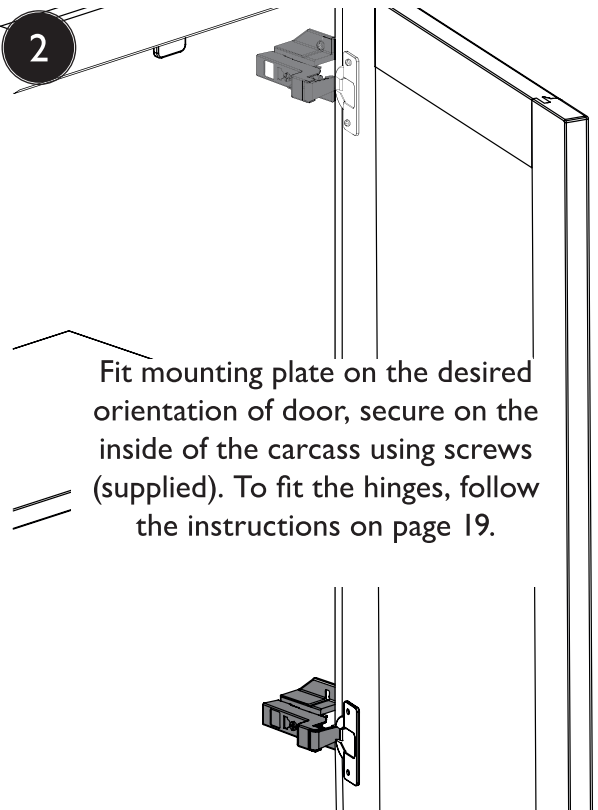
1



Before installing, ensure plumbing is in place first.

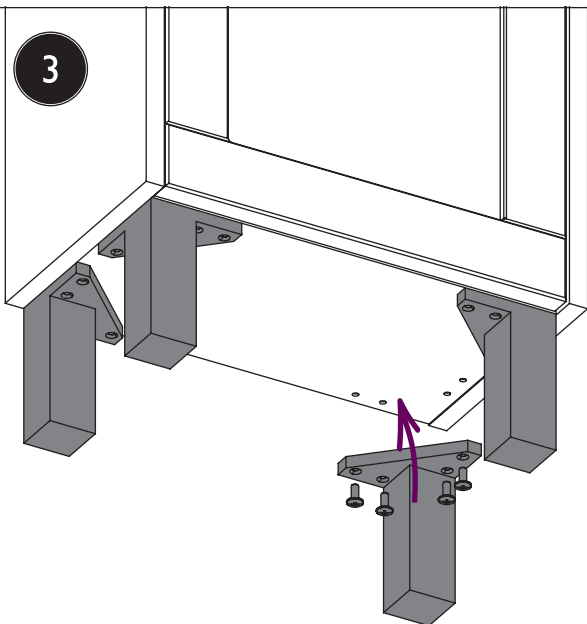
If required to aid installation, remove required skirting boards before fixing.

2

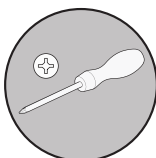


Fit mounting plate on the desired orientation of door, secure on the inside of the carcass using screws (supplied). To fit the hinges, follow the instructions on page 19.

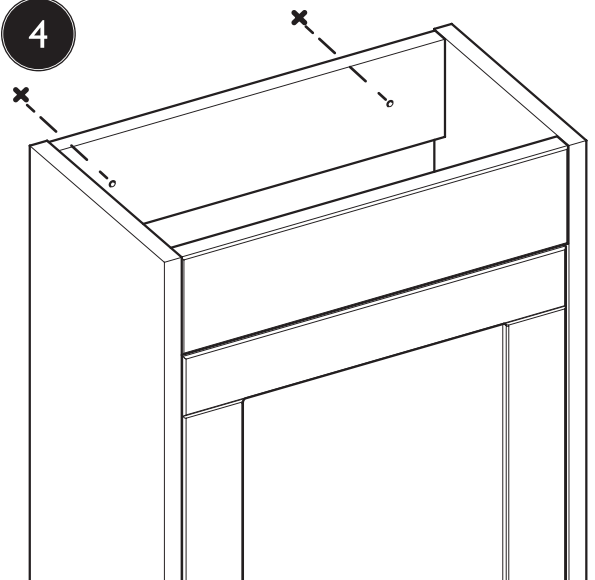
3



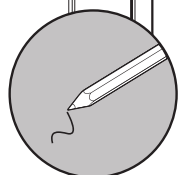
Attach the legs to the bottom of the unit using the screws provided.



4



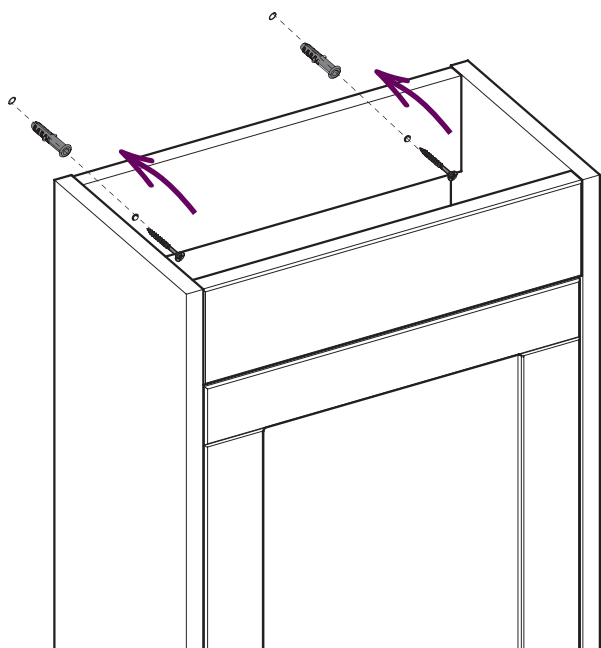
Position the cabinet in your required location, checking the alignment with a spirit level and mark where the pilot holes are on the back brace onto the wall.



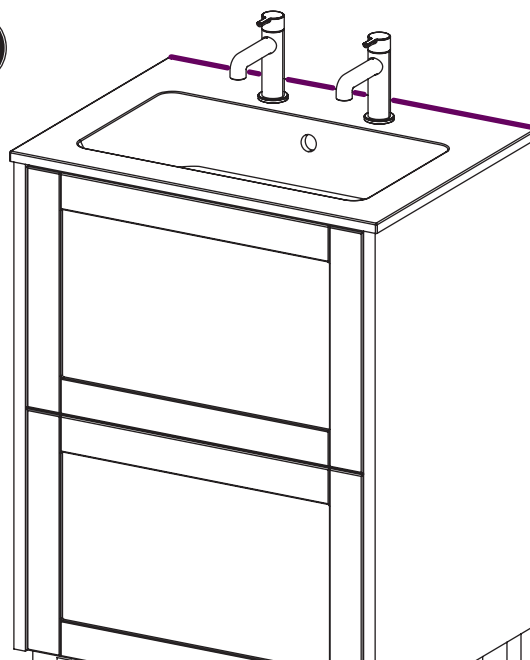
# INSTALLATION - FREE STANDING CLOAKROOM UNIT

5

Fasten unit to the wall using suitable bearing screws through the back brace of the unit (screws not supplied).



6



Go to the basin installation steps to install the basin to the furniture unit. Turn on the water supply and check all joints and connections for any leaks.

7

Once suitable handles have been chosen (not supplied), holes will need to be drilled to fit them.

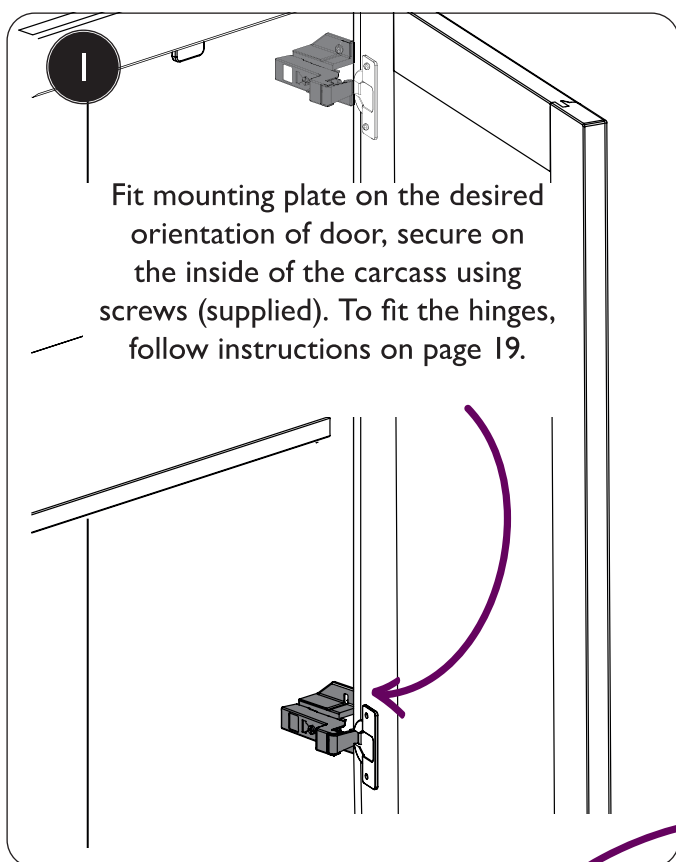
## GOOD TO KNOW

Door hinges can be adjusted, see page 20.



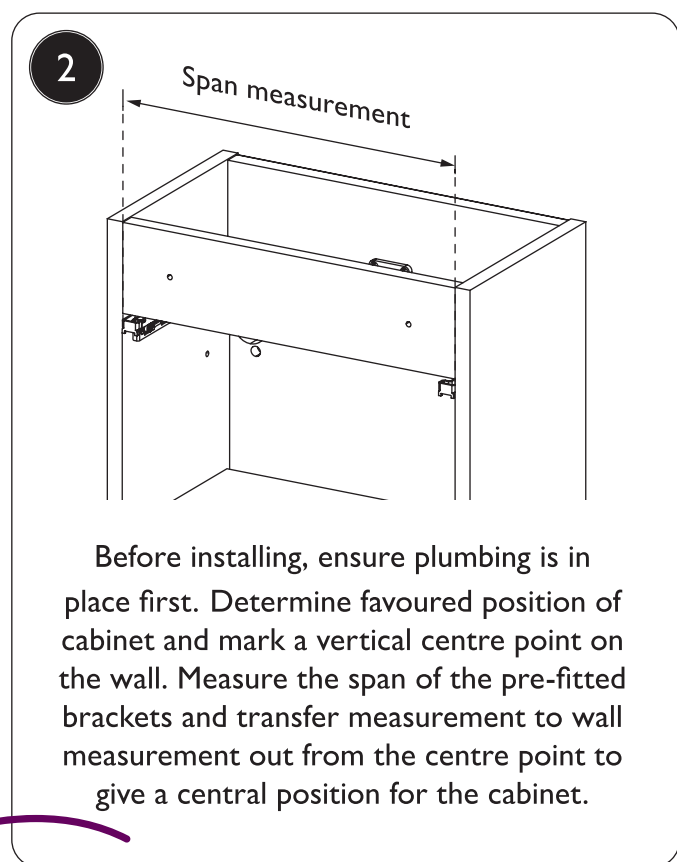
# INSTALLATION - WALL HUNG CLOAKROOM UNIT

**1**



Fit mounting plate on the desired orientation of door, secure on the inside of the carcass using screws (supplied). To fit the hinges, follow instructions on page 19.

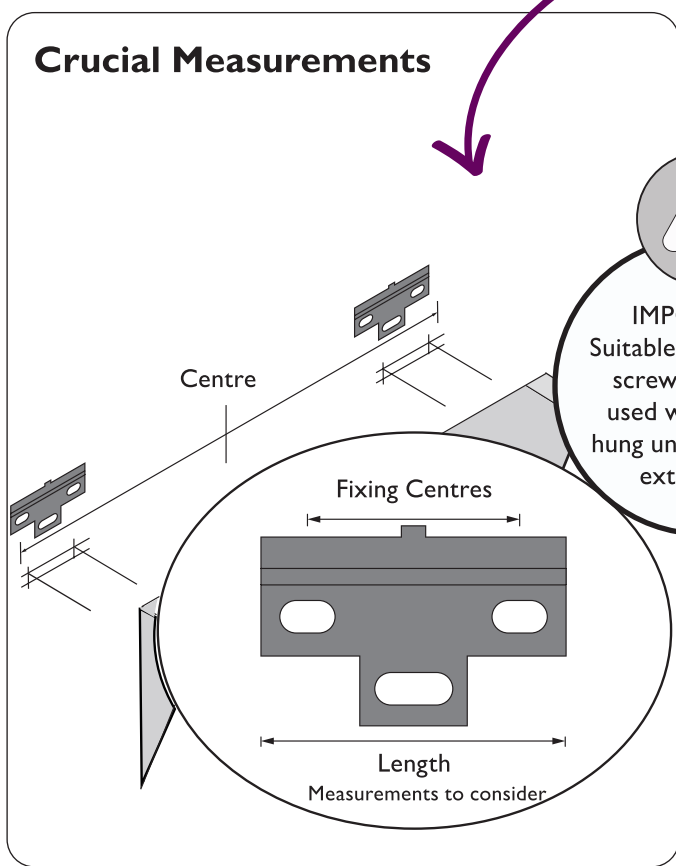
**2**



Span measurement

Before installing, ensure plumbing is in place first. Determine favoured position of cabinet and mark a vertical centre point on the wall. Measure the span of the pre-fitted brackets and transfer measurement to wall measurement out from the centre point to give a central position for the cabinet.

### Crucial Measurements



Centre

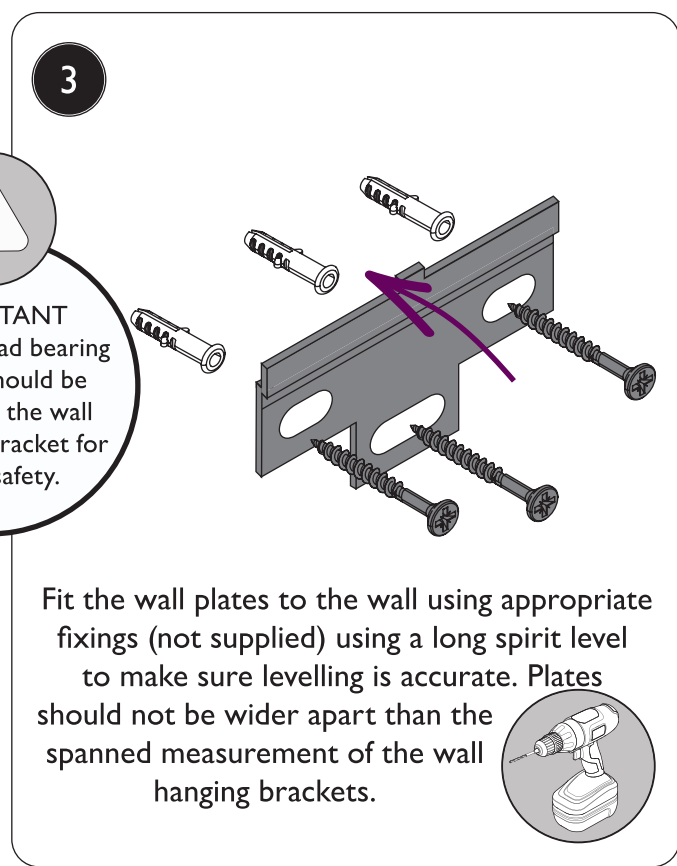
Fixing Centres

Length Measurements to consider

**!**

**IMPORTANT**  
Suitable Load bearing screws should be used with the wall hung unit bracket for extra safety.

**3**



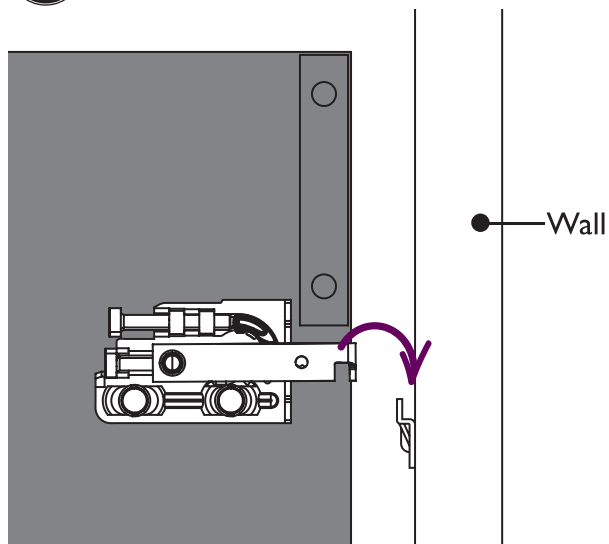
Fit the wall plates to the wall using appropriate fixings (not supplied) using a long spirit level to make sure levelling is accurate. Plates should not be wider apart than the spanned measurement of the wall hanging brackets.





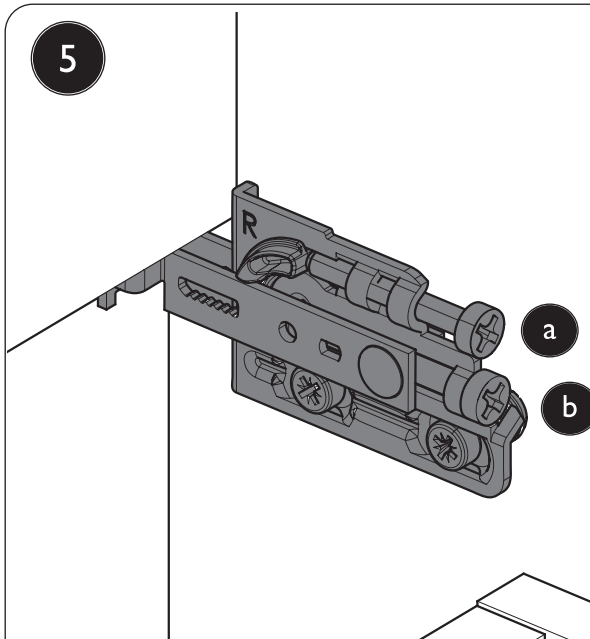
# INSTALLATION - WALL HUNG CLOAKROOM UNIT

4



Hang cabinet in position on wall plates.  
You can remove the drawers to aid installation - see page 21.

5

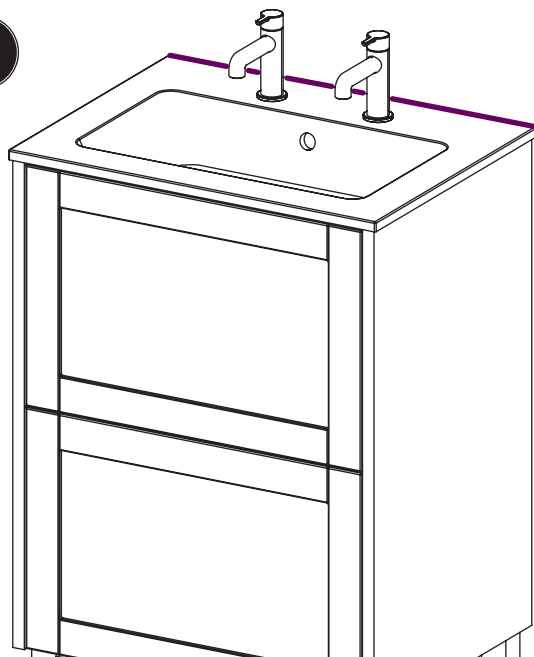


Use the two screws shown above to adjust the wall brackets. The top screw (a) adjusts unit height, the bottom screw (b) adjusts unit projection from wall and locks unit onto wall plates.

## GOOD TO KNOW

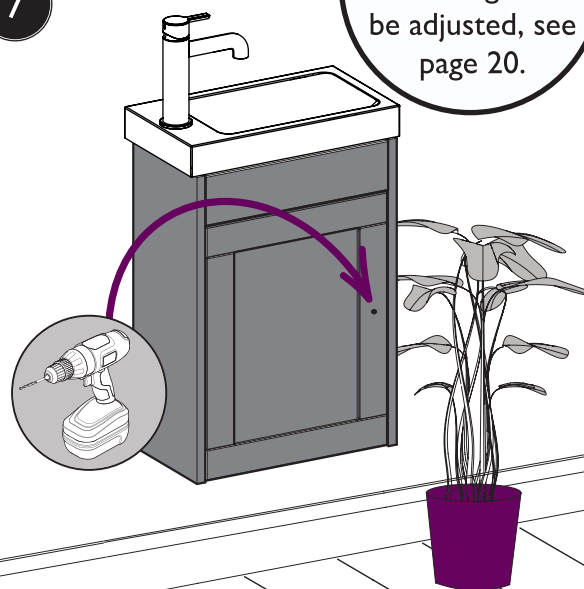
Door hinges can be adjusted, see page 20.

6



Go to the basin installation steps to install the basin to the furniture unit. Turn on the water supply and check all joints and connections for any leaks.

7



Once suitable handles have been chosen (not supplied), holes will need to be drilled to fit them.



# INSTALLATION - FREE STANDING CABINET

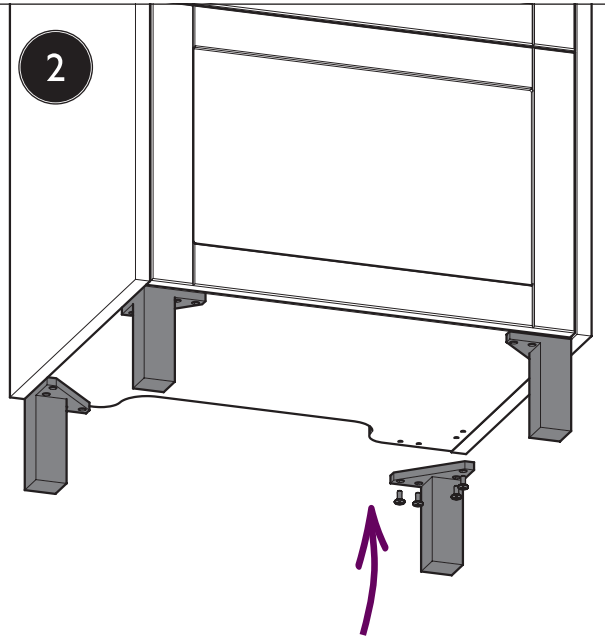
1



Before installing, ensure plumbing is in place first.

If required to aid installation, remove required skirting boards before fixing.

2

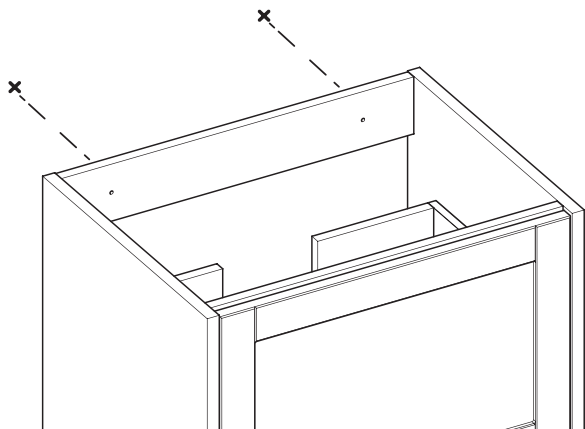


Attach the legs to the bottom of the unit using the screws provided.

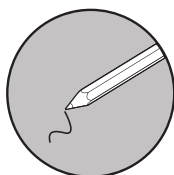


**IMPORTANT**  
Suitable load bearing screws should be used with the unit for extra safety.

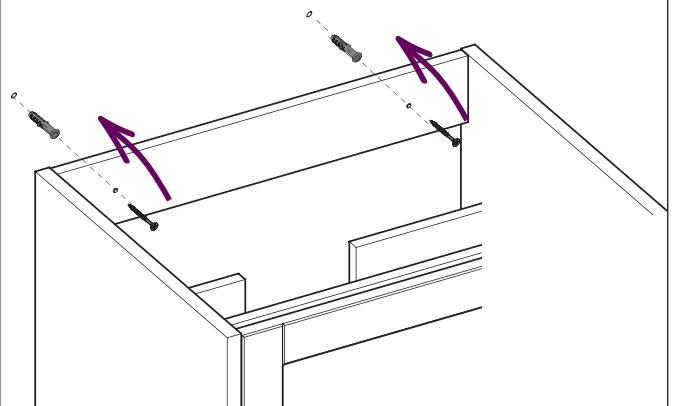
3



Position the cabinet in your required location checking the alignment with a spirit level and mark where you want to screw the unit to on the wall.



4

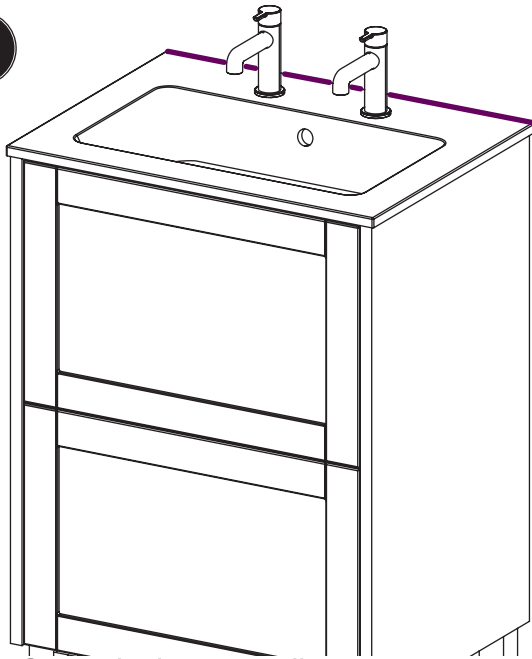


Fasten unit to the wall using appropriate fixings (not supplied) through the back brace of the unit.



# INSTALLATION - FREE STANDING CABINET

5



Go to the basin installation steps to install the basin to the furniture unit. Turn on the water supply and check all joints and connections for any leaks.

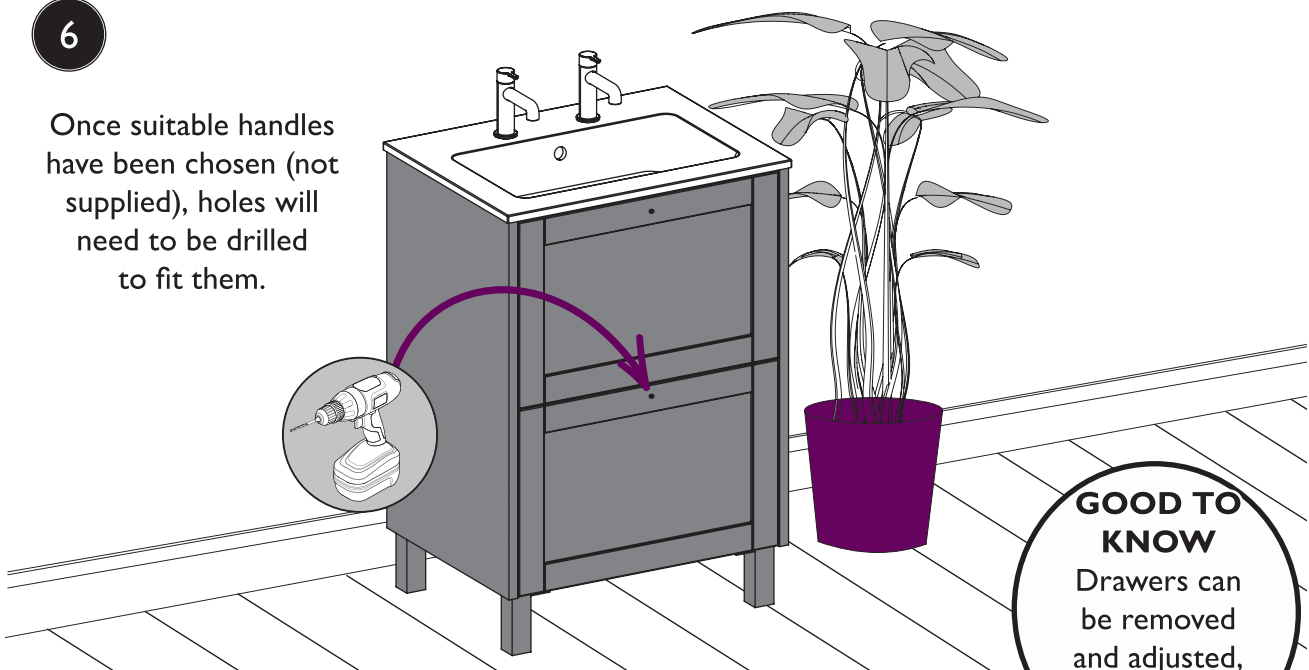
## Spare Parts



Please visit  
[www.heritagebathrooms.com](http://www.heritagebathrooms.com)  
or scan the QR Code and search  
for your product code to replace  
parts if needed.

6

Once suitable handles have been chosen (not supplied), holes will need to be drilled to fit them.



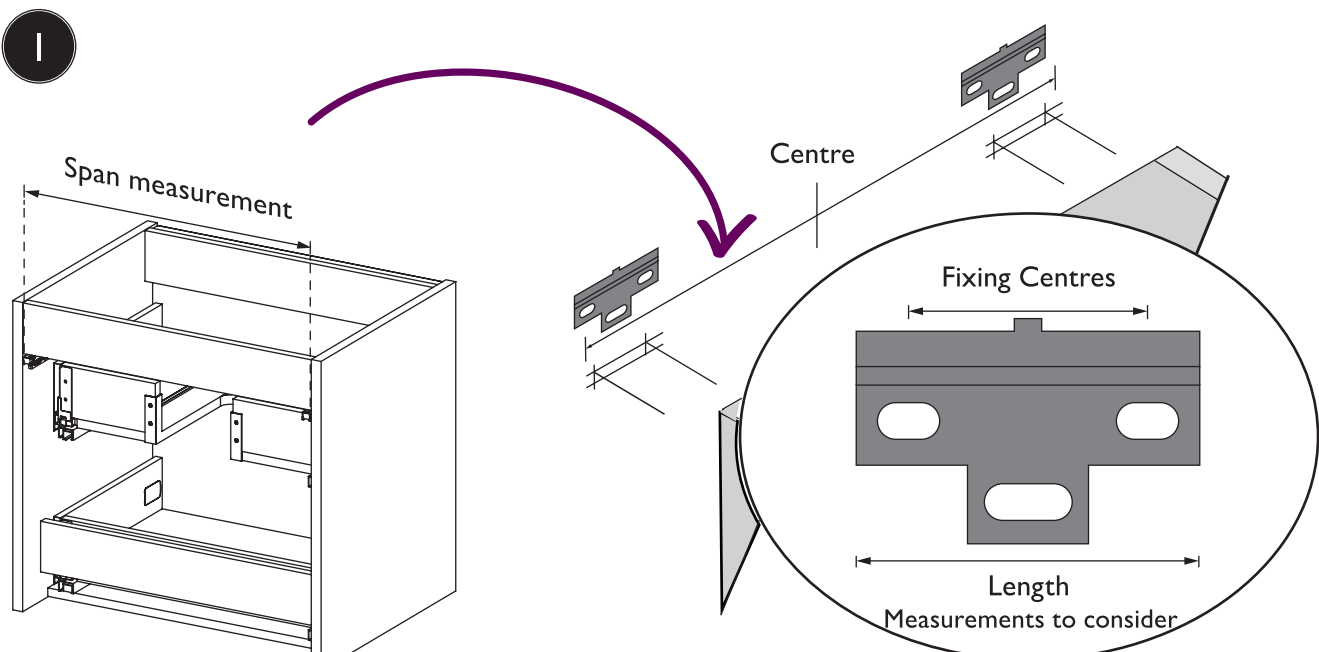
### GOOD TO KNOW

Drawers can be removed and adjusted, see page 21-22.



# INSTALLATION - WALL HUNG CABINET

**1**



Span measurement

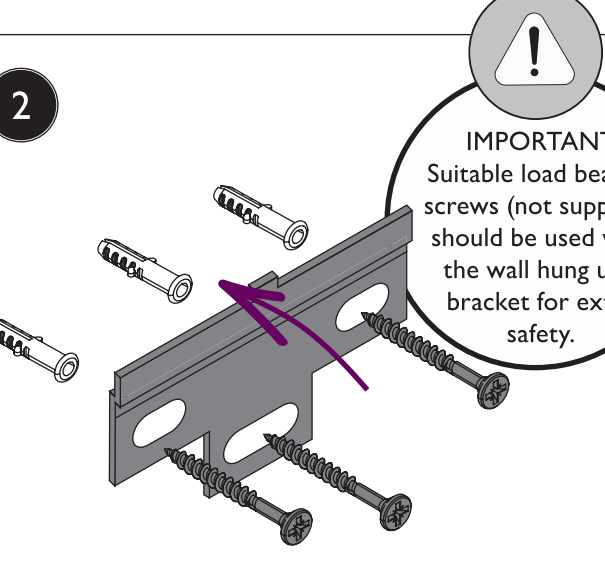
Centre

Fixing Centres

Length Measurements to consider

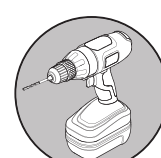
Before installing, ensure plumbing is in place first. Determine favoured position of cabinet and mark a vertical centre point on the wall. Measure the span of the pre-fitted brackets and transfer measurement to wall measurement out from the centre point, to give a central position for the cabinet.

**2**

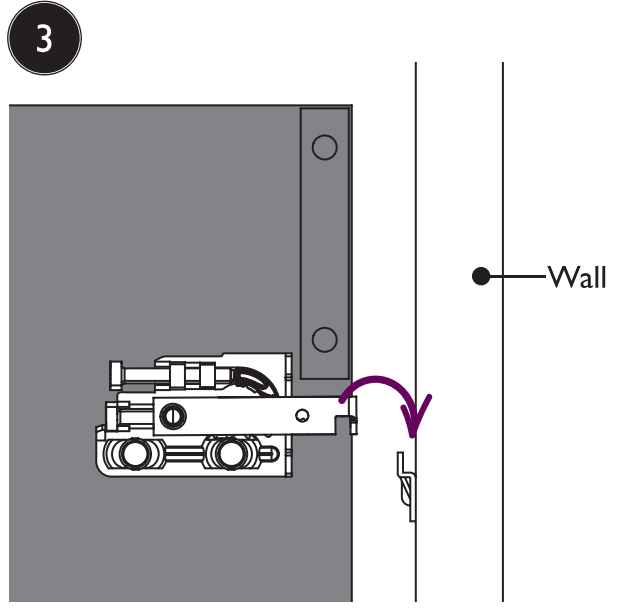


**IMPORTANT**  
Suitable load bearing screws (not supplied) should be used with the wall hung unit bracket for extra safety.

Fit the wall plates to the wall using appropriate fixings (not supplied) using a long spirit level to make sure levelling is accurate. Plates should not be wider apart than the spanned measurement of the wall hanging brackets.



**3**



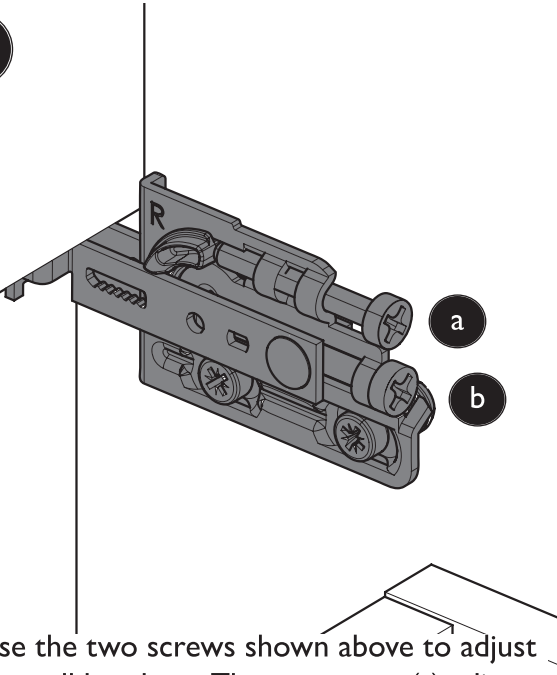
Wall

Hang cabinet in position on wall plates. You can remove the drawers to aid installation - see page 21.



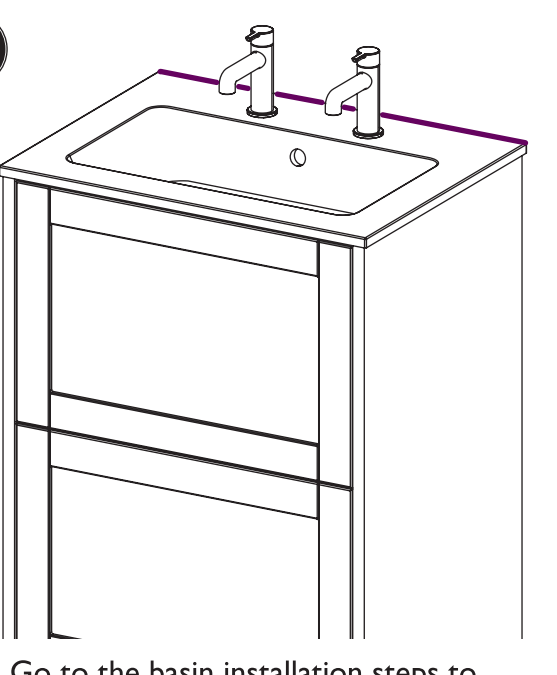
# INSTALLATION - WALL HUNG CABINET

**4**



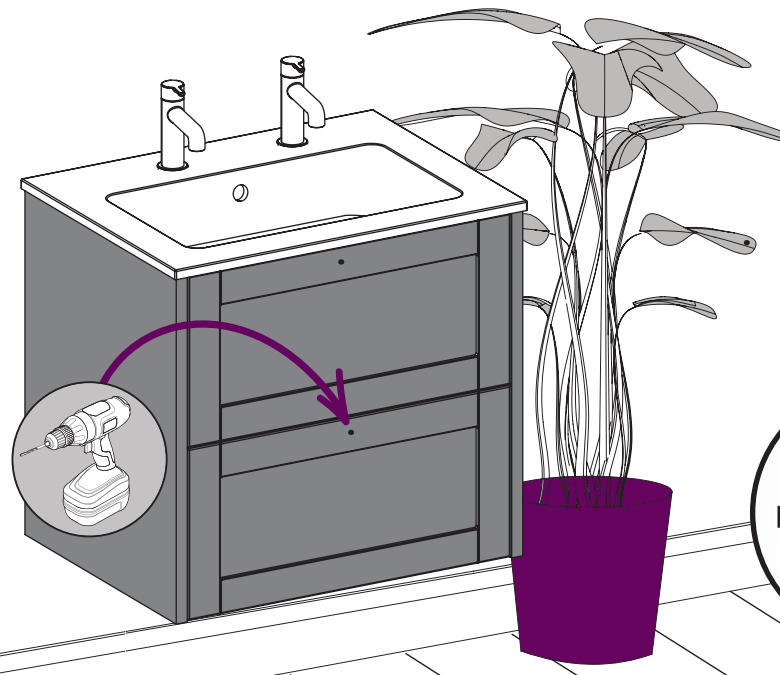
Use the two screws shown above to adjust the wall brackets. The top screw (a) adjusts unit height, the bottom screw (b) adjusts unit projection from wall and locks unit onto wall plates.

**5**



Go to the basin installation steps to install the basin to the furniture unit. Turn on the water supply and check all joints and connections for any leaks.

**6**



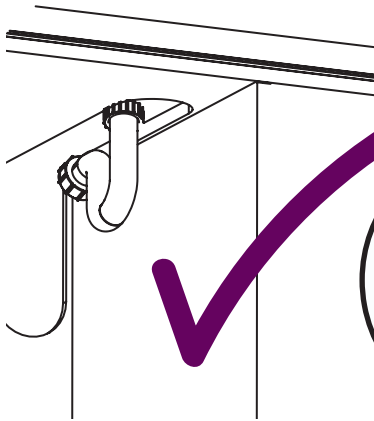
Once suitable handles have been chosen (not supplied), holes will need to be drilled to fit them.

**GOOD TO KNOW**  
Door hinges can be adjusted, see page 20.



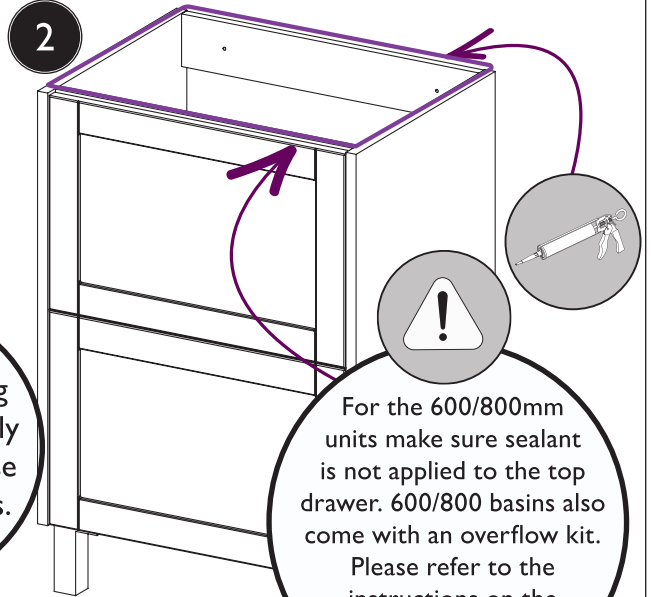
# INSTALLATION - BASINS

- 1** All basins in this range can be fitted using the guide below. Basins are available with no holes, 1, 2 or 3 holes pre-drilled.



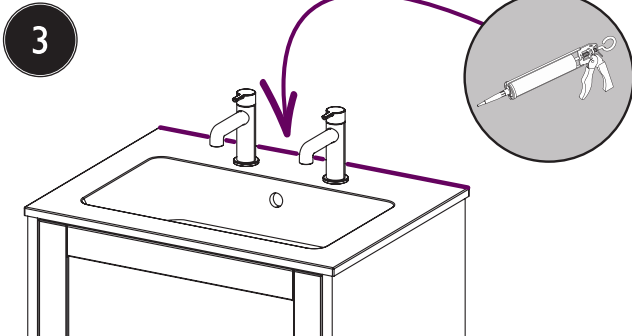
Over tightening fittings, especially wastes can cause pressure cracks.

Firstly, refer to your tap and waste instructions (not included) to fit them to the basin waste and taps (not included) to the basin. Access the waste connections via the main doors/drawers of the vanity unit.

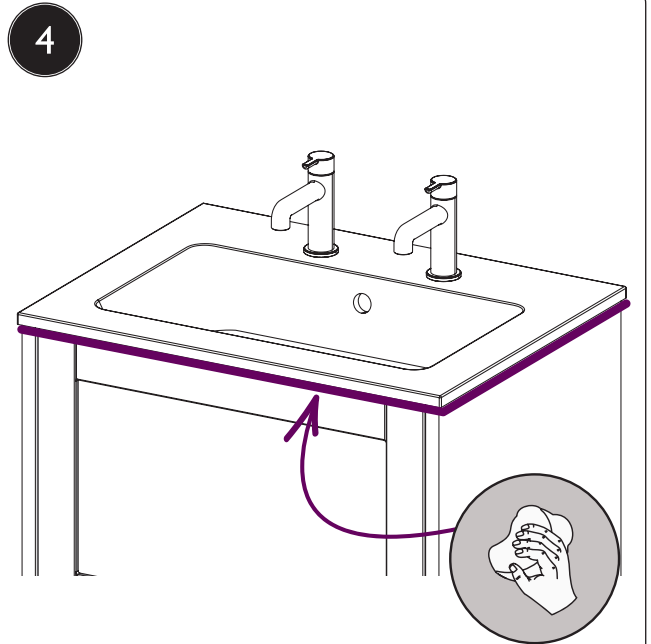


For the 600/800mm units make sure sealant is not applied to the top drawer. 600/800 basins also come with an overflow kit. Please refer to the instructions on the overflow kit packaging for installation.

Once your Heritage Lynton Basin is ready to install, apply silicone sealant along the vanity unit.



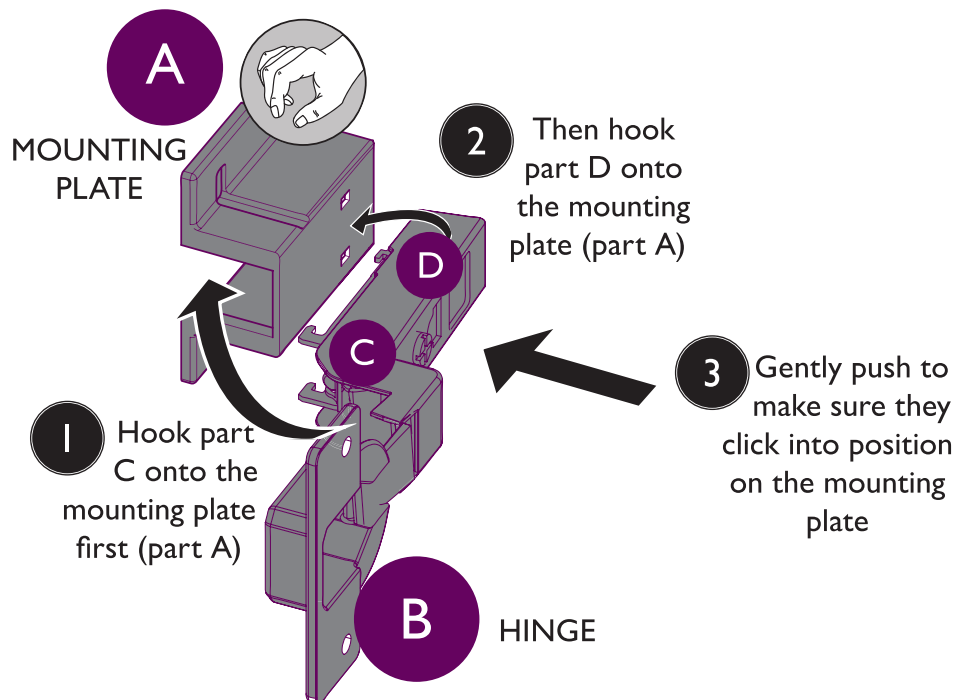
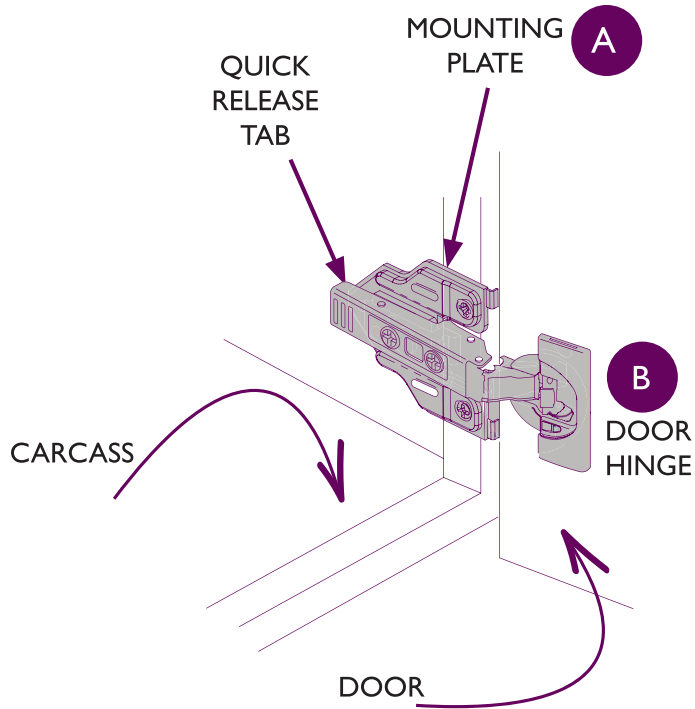
Carefully place the basin on the unit and secure in place. Once the unit is in the correct position, apply silicone sealant along the back of the basin. This will prevent any water from getting behind the unit.



Immediately wipe any excess silicone sealant with a soft cloth. Leave to cure.

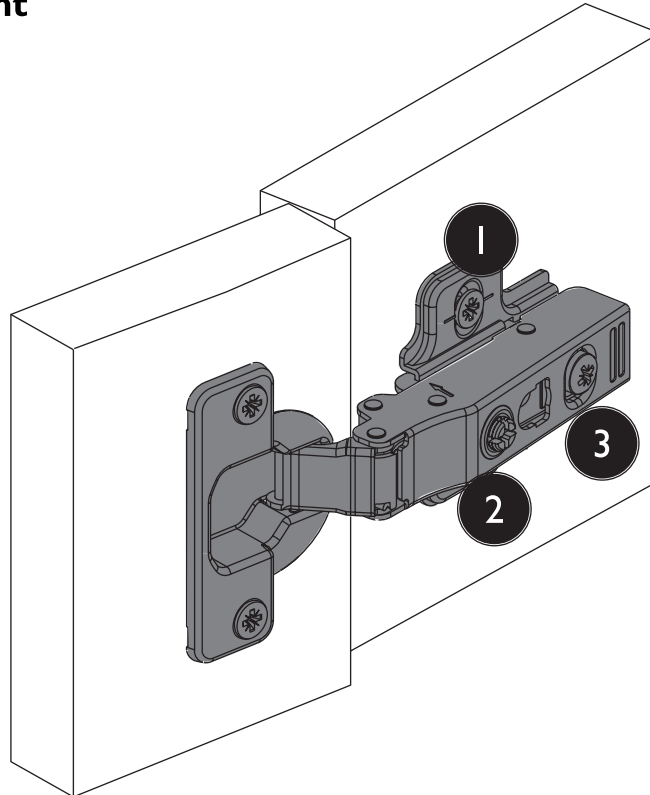
# INSTALLATION - HINGES

## FITTING HINGE ONTO MOUNTING PLATE

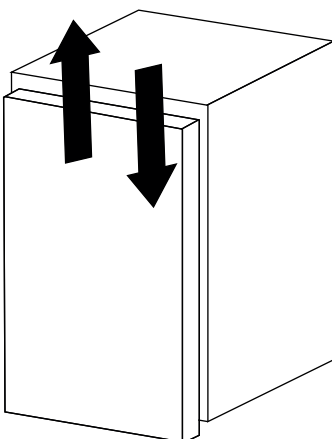


# HINGE ADJUSTMENTS

## Hinge Adjustment

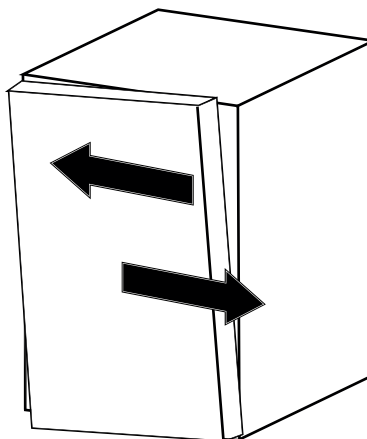


1



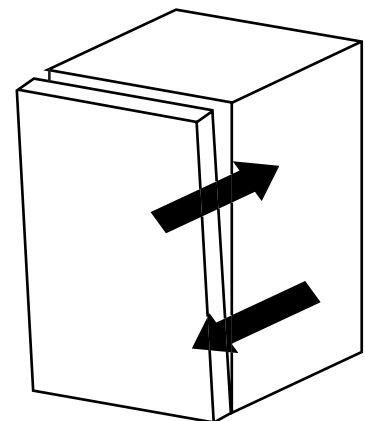
To adjust the door up and down tighten/loosen screw 1 on the mounting plate.

2



To adjust the doors side to side tighten/loosen screw 2.

3

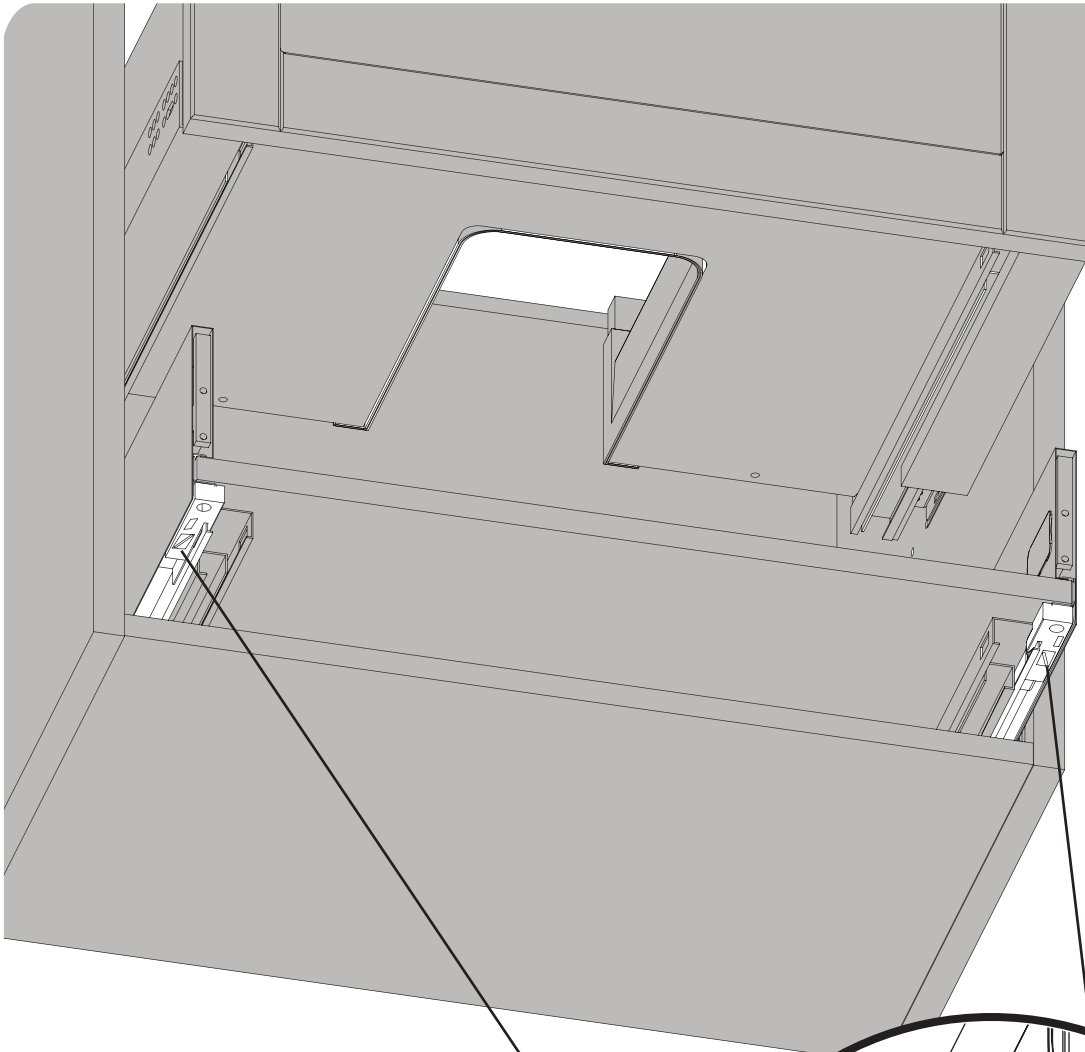


To adjust the door forwards and backwards tighten/loosen screw 3.



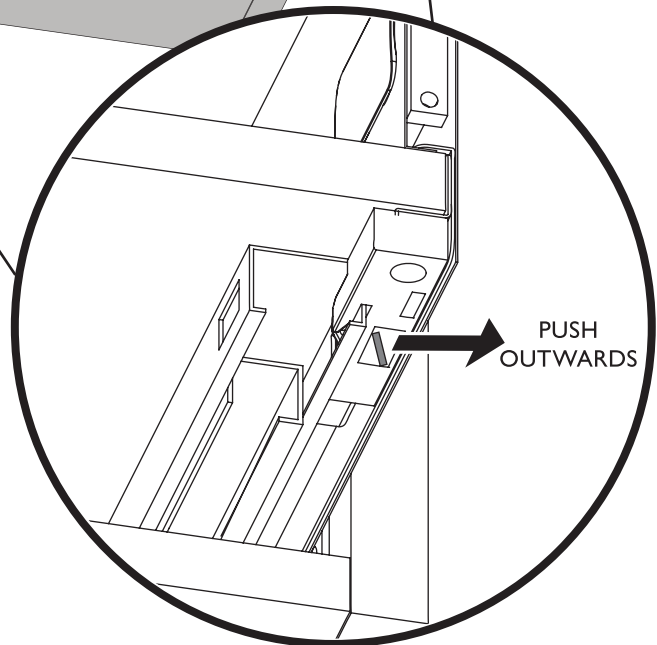


# DRAWER REMOVAL

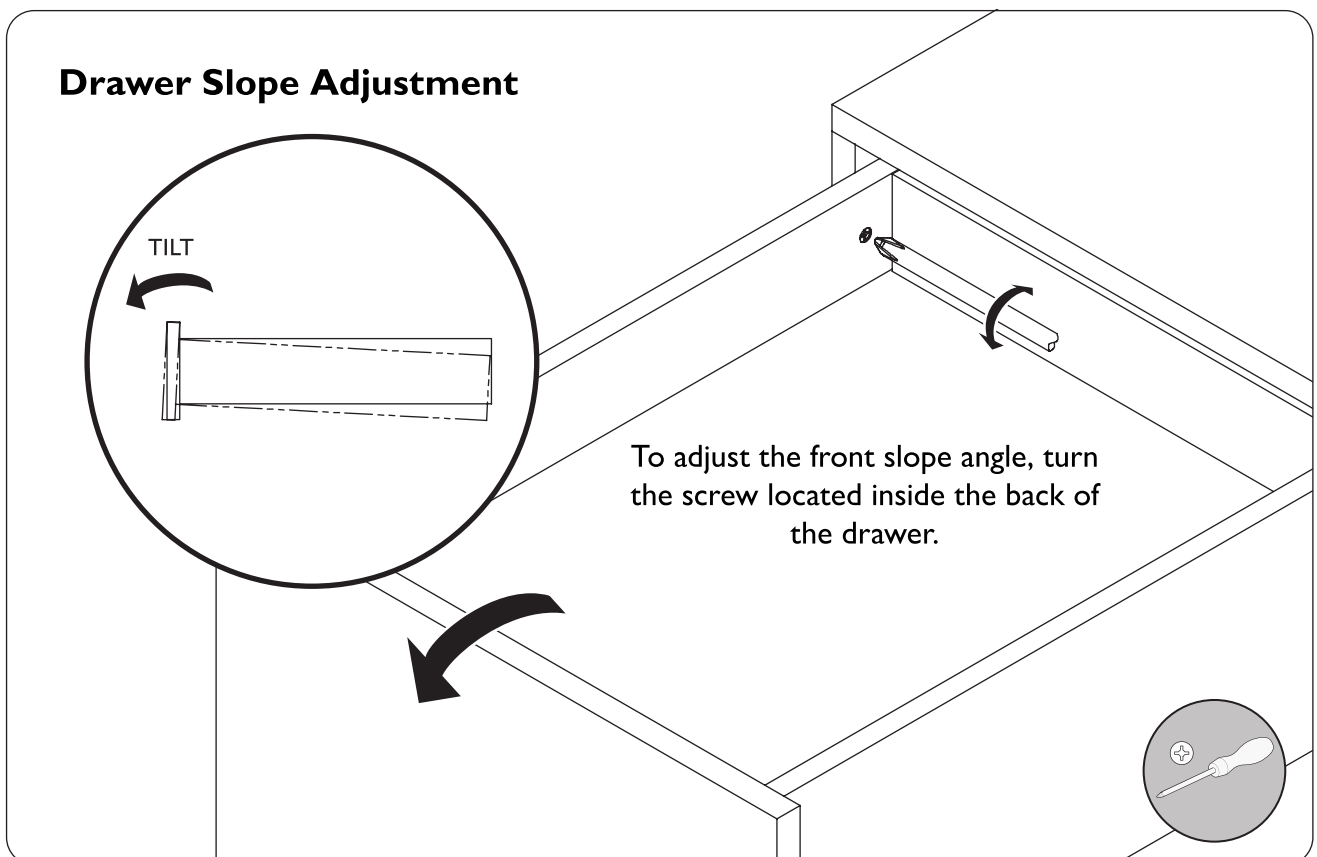
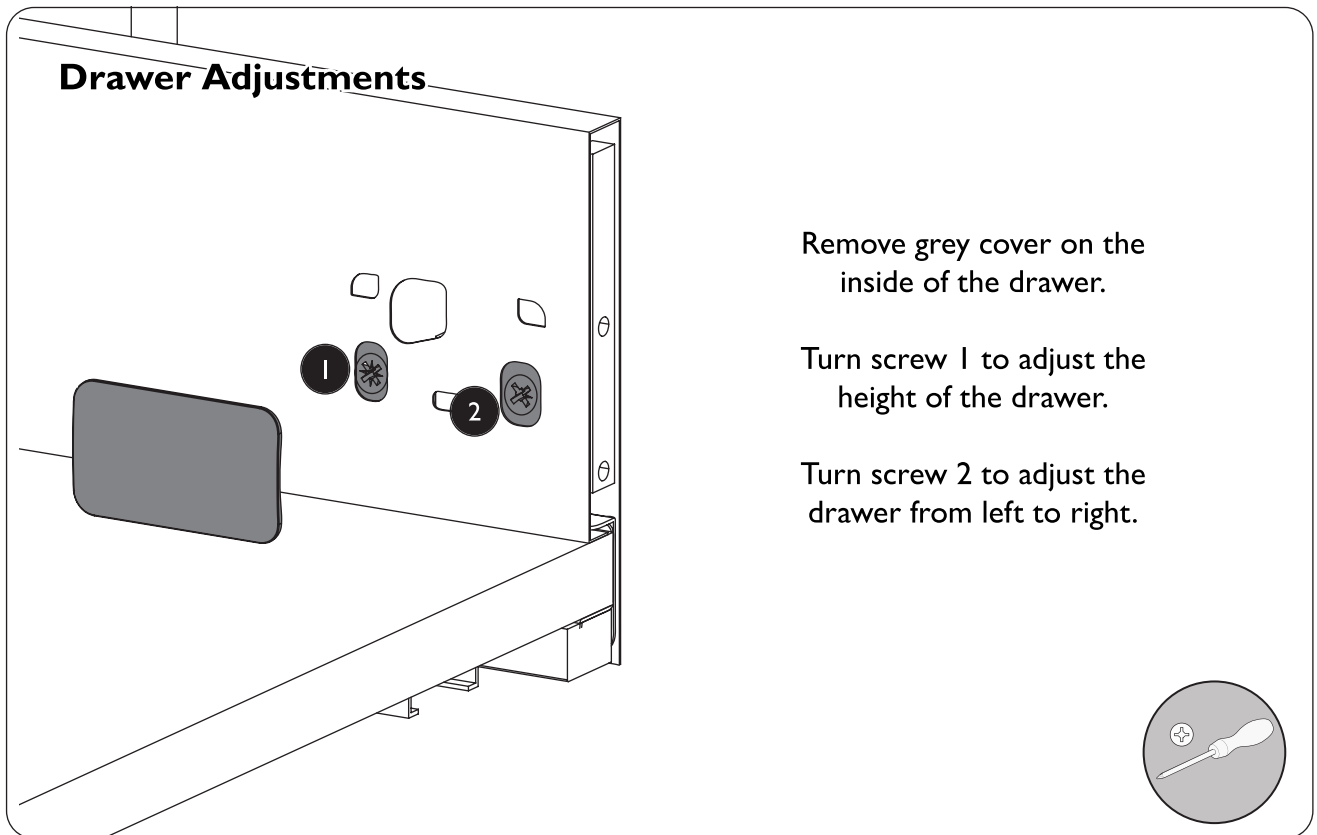


## Drawer Removal

Locate the grey tabs, one each side underneath the drawer and push both outwards at the same time to release. Gently pull the drawer off and out of the unit. For fitting back into place, the drawer can be placed directly on top of the rails and pushed in until a click is heard.



# DRAWER ADJUSTMENTS



---

# CARING FOR YOUR PRODUCT

---

## Furniture & Basins

Your fittings have high quality finishes and should be treated with care to preserve the visible surface.

A few tips for preventing defects from forming:

- When installing taps do not over tighten, as this may damage the basin.
- Take care when adjusting the tap and basin position, may result in scratching.
- Sliding hard/sharp objects (cups, bottles etc..) across the surface, may result in scratching.

Occasionally wipe the surface with a soft damp cloth and dry with a soft dry cloth. Wipe away any spillages and excess moisture immediately. Do not use any abrasive cleaning agents or materials, these will change the surface condition from the standard finish.

## Heritage Furniture Handles

To prolong the life of this product, we recommend cleaning when required using lukewarm water on a damp, well wrung-out lint free cloth. Also, the use of a soft-bristled toothbrush can be used for the removal of dirt trapped in the knurling or grooves.

Once clean, ensure to thoroughly dry with a soft cloth, paying particular attention to the base of the stem of the product. A light coating of natural wax will help seal any chips or scratches. We strongly advise never to use commercial chemical or abrasive cleaning products on any products, including antibacterial cleaners. These will remove the protective coating and the product may become damaged, possibly changing the appearance as a result. Also, little chips or scratches in the lacquer will allow the air to tarnish the metal underneath over time. So particular care is required by following these instructions, otherwise the you may invalidate the guarantee.

---

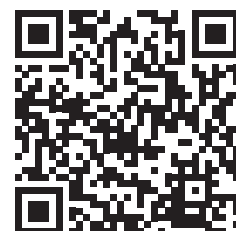
# GUARANTEE

---

The confidence we have in the quality of our products and services enables us to offer a free peace-of-mind product guarantee from 2 years up to a lifetime guarantee against any manufacturing faults, with proof of purchase. In addition, our attentive customer service team are available to help solve any problems which may arise quickly and effectively so you can enjoy your bathroom.

To see the specific guarantee for this product, scan the QR Code or visit the following URL:

<https://www.heritagebathrooms.com/service-centre/guarantee>



# HERITAGE<sup>®</sup>

## BATHROOMS

We love to see how Heritage products are used so please keep in touch and share pictures of your new bathroom with us.



@heritagebathrooms

If you have any queries, our dedicated customer service teams and products experts are available to help.

Email us [enquire@heritagebathrooms.com](mailto:enquire@heritagebathrooms.com) Call us **0330 026 8503** Website [www.heritagebathrooms.com](http://www.heritagebathrooms.com)

UK: Heritage Bathrooms, Pooley Hall Drive, Birch Coppice Business Park, Dordon, Tamworth B78 1SG

EU: Masco Europe S.à.r.l., 14 Rue Strachen, 6933 Mensdorf, Luxembourg.