

# SGDUAL05

## GLASTONBRY Shower Range Glastonbury Recessed Thermostatic Dual Control Shower Valve with Premium Fixed Head Kit Brushed Nickel



### Specification

Finish/Colour:	Brushed Nickel
Main Construction Material:	Brass
No of Controls:	2
Shower Type:	Recessed Dual Control
Shower Head Type:	Fixed Head
Shower Kit:	Fixed Head
Valve/Cartridge Type:	3/4" Ceramic Disc Valve - 1/4 turn
Maximum Hot Water Supply Temperature °C:	65
Plumbing System Suitability:	Suitable for all plumbing systems, ideally balanced
Minimum Dynamic Pressure (bar):	0.2
Maximum Dynamic Pressure (bar):	5
Maximum Static Pressure (bar):	10
Connection Inlet:	15mm Compression
Connection Outlet:	G 1/2"
Isolation Valve Included:	No
Check Valve Included:	Yes

### Features:

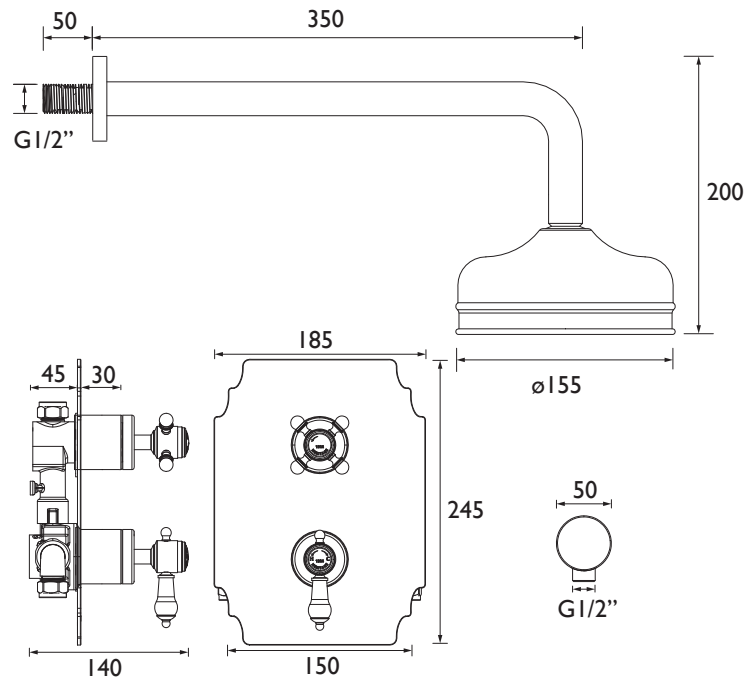
- Optimised for UK market, designed to work at pressure range of 0.2 - 5.0bar
- Thermostatic temperature control and automatic stop prevent surges of hot or cold water
- Performance Flow to provide a drenching experience
- Smallest recessed valve on the market, will fit into a 35mm cavity space
- Large 6" shower rose

### Product Certifications:



### Additional Information:

### Dimensions (measurements in mm)



### Flow Rates (l/min)

System Pressure (bar)	0.2	0.5	1	2	3	5
Through Fixed Head (mixed)	6.8	10.8	15.3	21.6	26.5	34.2
With Flow Limiters (mixed)	3.3	5.2	7.3	10.4	14.1	16.4

# TECHNICAL DATA SHEET



# HERITAGE<sup>®</sup> BATHROOMS

DI