

HERITAGE

BATHROOMS

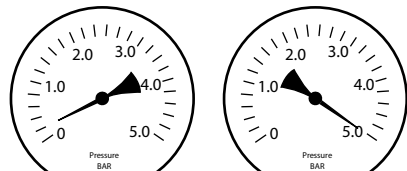
Installation Instructions & User Guide

Please leave these instructions with the end user

Product Code: STC23 (DI)

Specifications

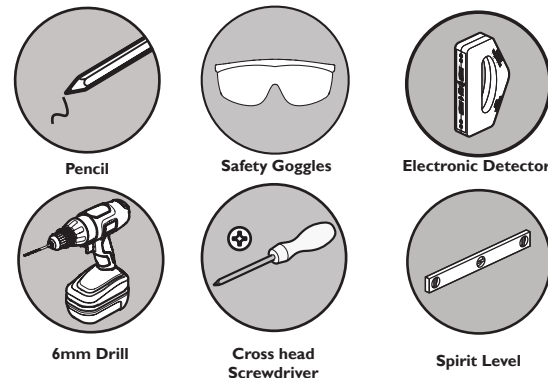
Working Pressure Range



Min: 0.2 bar Max: 5.0 bar

Maximum Static Pressure: 10.0 bar

Tools You'll Need

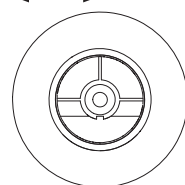


Inlet Connections

1/2" BSP

Bracket Centres

30mm



Prior to Installation

All products manufactured and supplied by Heritage are safe to use provided that they are installed, operated and receive regular maintenance in accordance with these instructions.

This product needs to be installed in accordance with, and meet the requirements of the Water Supply (Water Fittings) Regulations 1999 and current by-laws. For full Installation Requirements & Notes (IRN) please visit wras.co.uk/directory.

Isolation valves must be fitted to the inlet water supplies to ensure ease of future maintenance. Before installing this product the water supply must be thoroughly flushed in order to remove any swarf, solder etc. Full access must be made available for future maintenance/ servicing purposes.

Before drilling into walls, check that there are no hidden electrical wires, cables or water supply pipes. This can be checked with the aid of an electronic detector.

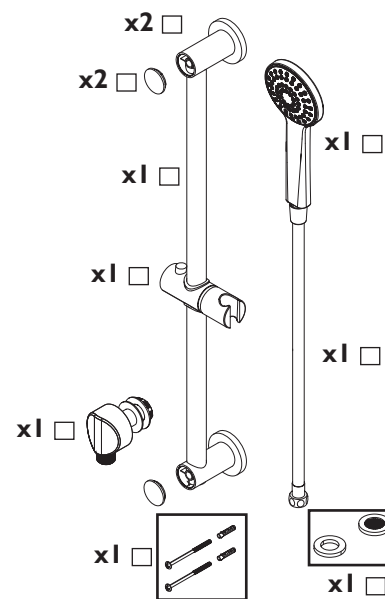
If power tools are used do not forget to:
- Wear eye protection
- Unplug equipment after use

This product must not be modified in any way as this will invalidate the guarantee.

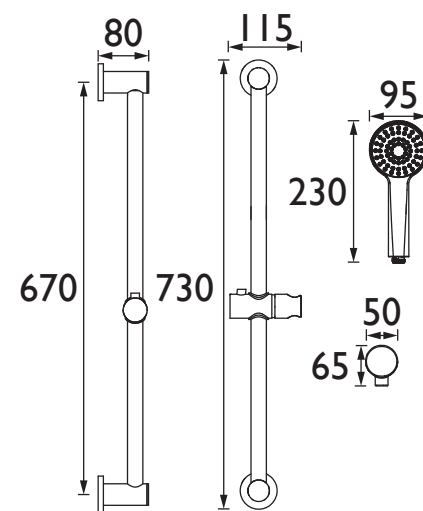
If in doubt, contact a registered plumber, your Local Water Authority or the Secretary of the Institute of Plumbing, address as follows:-

The Institute of Plumbing,
64 Station Lane,
Hornchurch,
Essex,
RM12 6NB, Tel: 01708 472791

Pack Contents



Dimensions (mm)



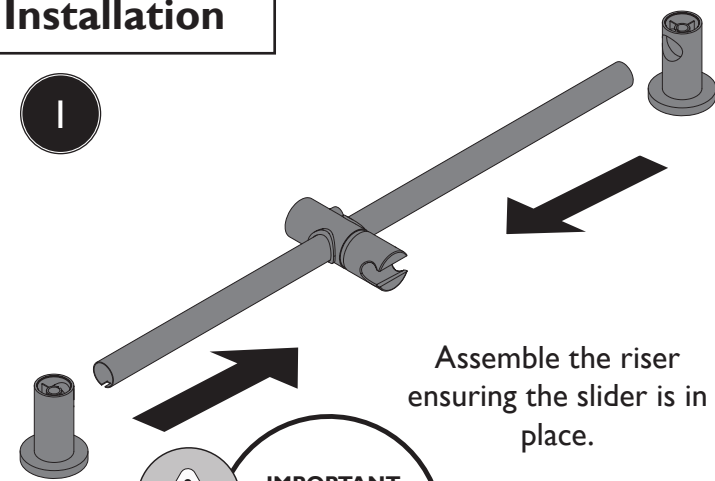
Spare Parts

Visit www.heritagebathrooms.com or scan the QR Code and search for your product code to find all available spare parts for this product.



Installation

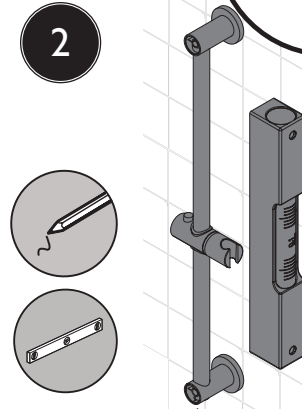
1



Assemble the riser ensuring the slider is in place.

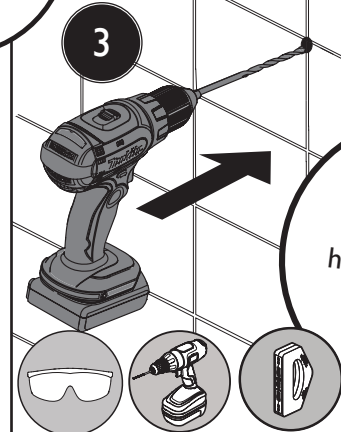
IMPORTANT
Previous fixing holes can be used if within the riser dimensions.

2

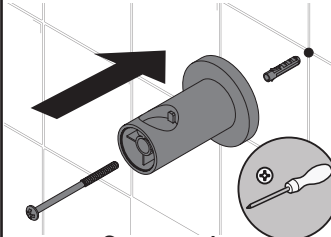


Using a spirit level to ensure the riser is positioned correctly and perpendicular to the wall, use the assembled riser to mark the desired position of the brackets and wall fixings. Make sure to accommodate for all user heights.

3

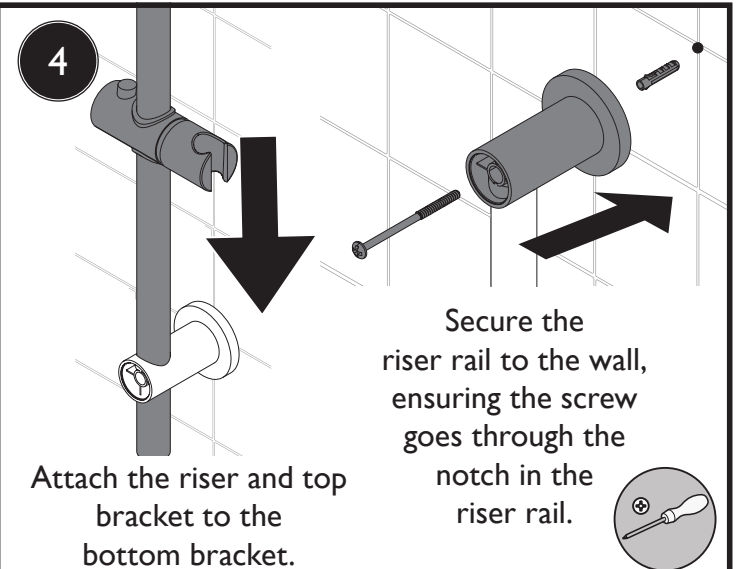


Drill the screw holes.



Secure the bottom bracket to the wall.

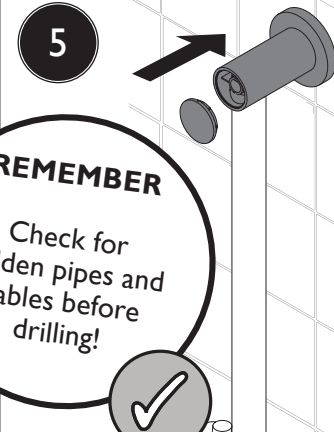
4



Attach the riser and top bracket to the bottom bracket.

Secure the riser rail to the wall, ensuring the screw goes through the notch in the riser rail.

5

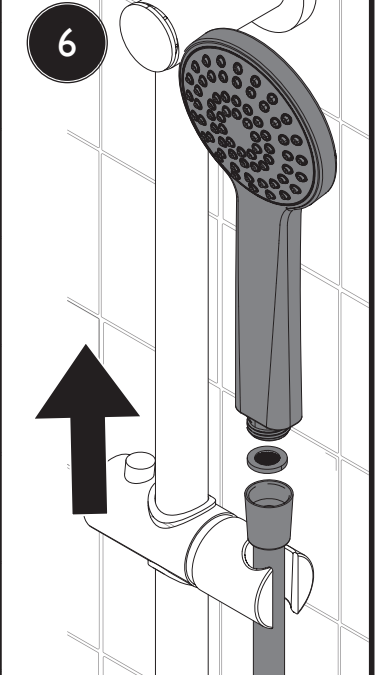


Place the caps on to the riser rail.

REMEMBER

Check for hidden pipes and cables before drilling!

6



Connect the hose and handset to your shower, ensuring the integral washers are in place.

Wall Outlet Installation

With rear access

Choose the location for the wall outlet and create a 25-30mm hole in the wall. Ensure your shower accessories have enough reach from that position. Finish the wall surface.

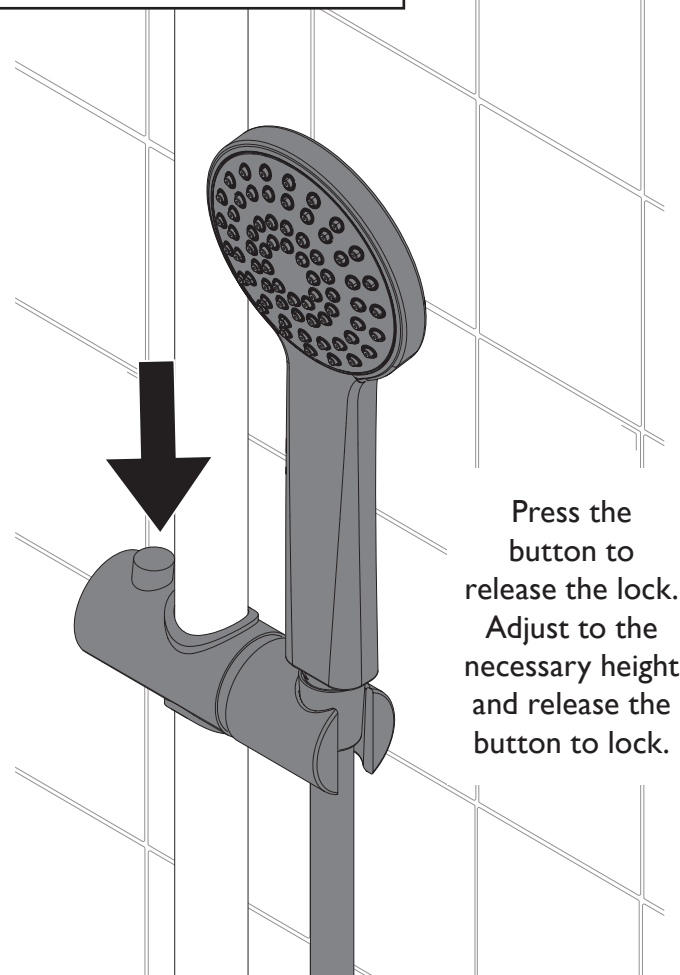
Fit the wall outlet, ensuring the washers are fitted either side of the wall (not supplied).

Without rear access

Choose the location for the wall outlet and create a 25-30mm hole in the wall, fitting a 1/2" female connection at the hole in the wall (not supplied).

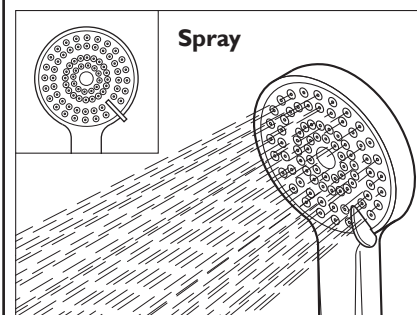
Screw the wall outlet into the 1/2" female connection, using a suitable thread sealant ensuring the rubber seal is fitted to the back of the wall outlet.

Operation

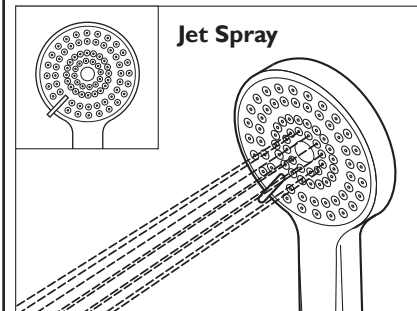


Press the button to release the lock. Adjust to the necessary height and release the button to lock.

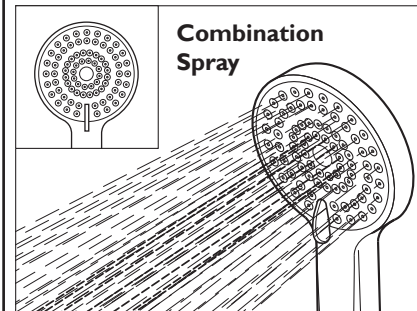
Adjusting the Handset



Spray



Jet Spray



Combination Spray

Your handset has 3 spray modes - spray, jet spray and combination. Simply rotate the spray head one way or the other until it 'clicks' into the desired spray pattern.

Note: The spray head mode may need to be altered during winter conditions (low flow conditions) to achieve a satisfactory spray.

Notes

Please use this space for any notes you or your installer may have regarding the installation/plumbing of this product.

General Cleaning

Heritage products are made from premium materials, with hand polished, PVD, EPD or electroplated finishes.

Your product should be regularly cleaned with warm water, a mild pH-neutral liquid soap, and polished with a soft cloth. Any residues from soap, toiletries etc. should be rinsed off straight after use.

Household bleaches and cleaners contain harsh chemicals and may damage the surface finish. Avoid using abrasive cloths, scouring pads, scrub sponges, steel wool or anything similar.

Some surfaces such as nickel and pewter may be affected by the dye found in some cloths, so it is also important to avoid leaving cloths on surfaces.

Our Guarantee

The confidence we have in the quality of our products and services enables us to offer a free peace-of-mind product guarantee from 2 years up to a lifetime guarantee against any manufacturing faults, with proof of purchase. In addition, our attentive customer service team are available to help solve any problems which may arise quickly and effectively so you can enjoy your bathroom.

To see the specific guarantee for this product, scan the QR Code or visit the following URL: <https://www.heritagebathrooms.com/service-centre/guarantee>



Bristan Group Ltd.

UK: Heritage Bathrooms, B78 ISG.
EU: Masco Europe S.à.r.l., 14 Rue Strachen
6933 Mensdorf, Luxembourg.

Customer Service: +44330 026 8503

Web: www.heritagebathrooms.com
Email: enquire@heritagebathrooms.com

A Masco Company

HERITAGE
BATHROOMS