

# WASHLET™

## NEOREST EW 2.0, incl. remote control

DE: NEOREST EW 2.0, inkl. Fernbedienung  
FR: NEOREST EW 2.0, télécommande incluse  
IT: NEOREST EW 2.0, incl. telecomando  
RU: NEOREST EW 2.0, включая дистанционное управление



### PRODUCT DETAILS

<b>Product code WASHLET™</b>	TCF994RWG, TCF994RWSW (CH)
<b>Product code WC</b>	CW994P#NW1
<b>EAN code WASHLET™</b>	40 50663 09443 0
<b>EAN code WC</b>	40 50663 09304 4
<b>Size</b>	w:423xd:675xh:119 (mm)
<b>Weight</b>	11,1 kg
<b>Colour</b>	White
<b>Material</b>	WC: ceramic, WASHLET™: plastic
<b>Technologies</b>	Warm water nozzle, heated seat, Deodoriser, Dryer, ewater+, Auto functions, Tornado Flush, CeFiOnTect, Rimless design, PreMist

**NEW** Decalcifying  
**NEU** function  
Entkalkungs-  
funktion

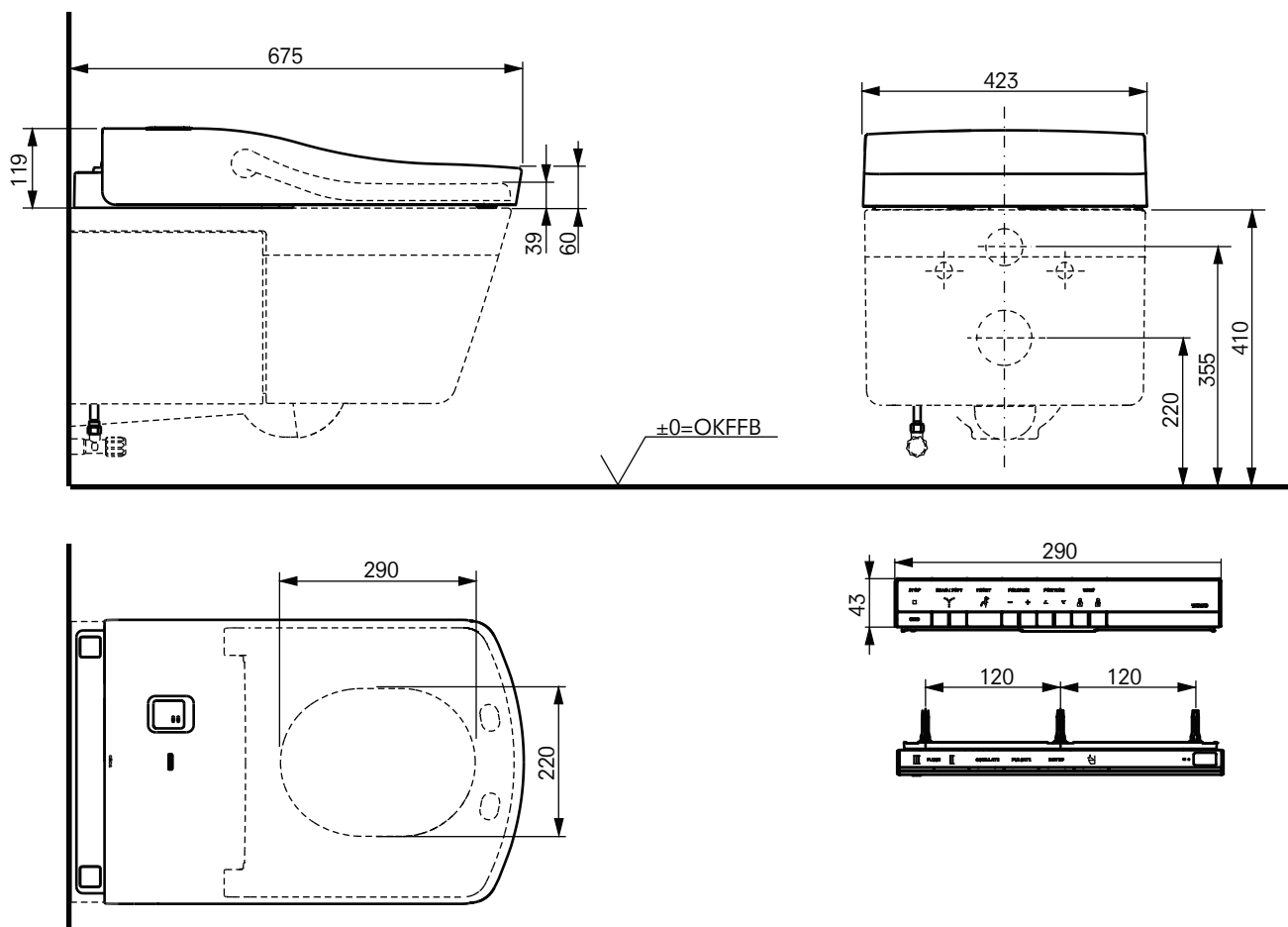
### TO BE COMBINED WITH:

<b>TECEprofil frame</b>	toilet module for NEOREST
<b>Motor unit for autom. flush</b>	E00004
<b>Push plate</b>	E00003 (glass white) or E00005 (LUMINIST)

Weights and measurements shown may be subject to small variations or are indicative.



### TECHNICAL DRAWINGS



# WASHLET™

## NEOREST EW

incl. remote control

DE: NEOREST EW, inkl. Fernbedienung  
FR: NEOREST EW, télécommande incluse  
IT: NEOREST EW, incl. telecomando  
RU: NEOREST EW, включая дистанционное управление



### PRODUCT DETAILS

<b>Product code</b>	TCF994WG#NW1
<b>GTIN (EAN)</b>	40 50663 09302 0
<b>Size</b>	w:423xd:675xh:119 (mm)
<b>Weight</b>	11,1 kg
<b>Colour</b>	White
<b>Material</b>	plastic
<b>Technologies</b>	Warm water nozzle, heated seat, Deodorizer, Dryer, EWATER+ for nozzle, EWATER+ for ceramic, Auto functions, PREMIST

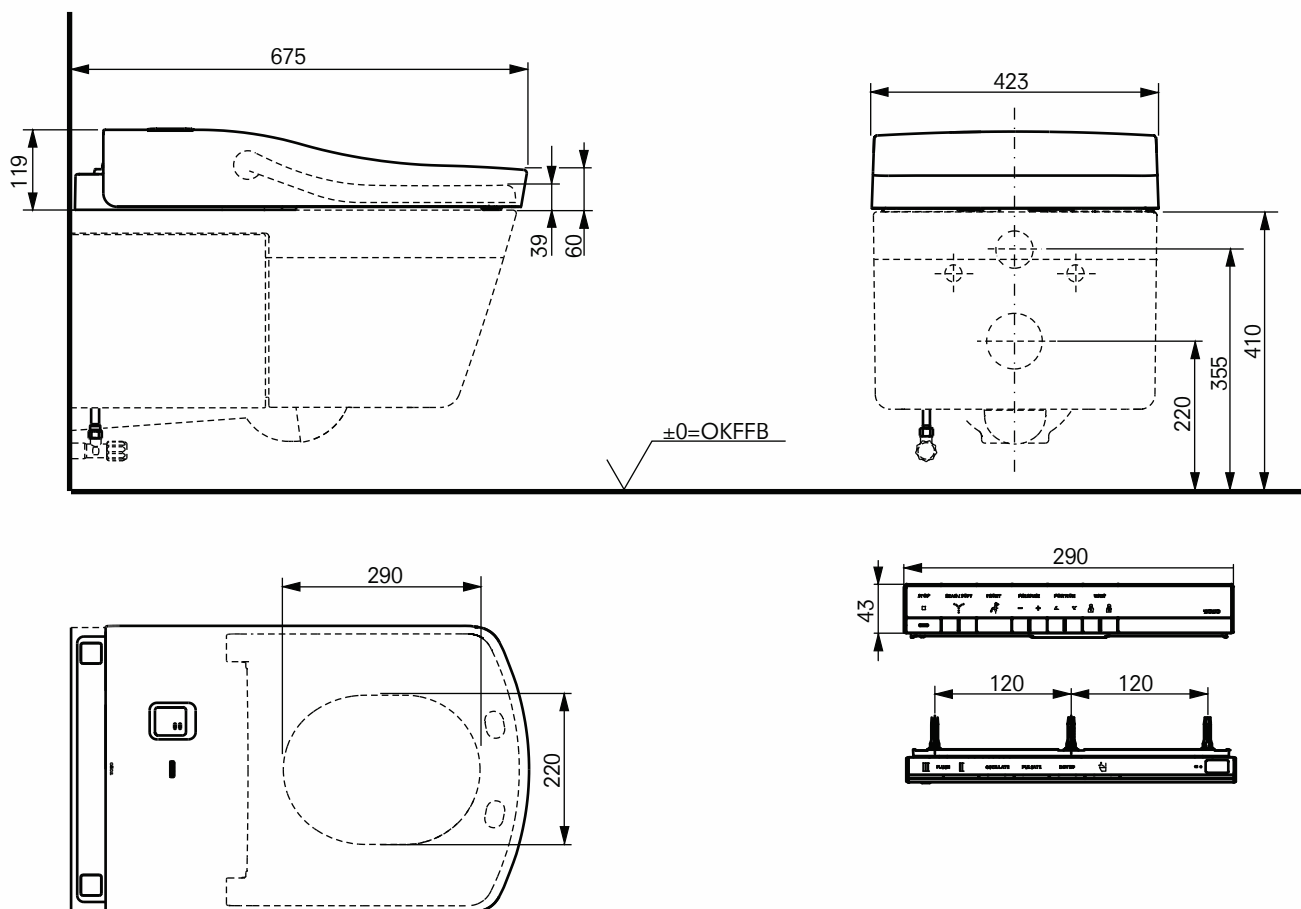
### TO BE COMBINED WITH:

<b>NEOREST EW WC wallhung</b>	CW994P#NW1
<b>TECEprofil frame</b>	toilet module for NEOREST
<b>Motor unit for Auto Flush</b>	E00004
<b>Push plate</b>	E00003 (glass white)

Weights and measurements shown may be subject to small variations or are indicative.



### TECHNICAL DRAWINGS



# TOILETS

## NEOREST W WC, wall-hung

a



### PRODUCT DETAILS

<b>Product code</b>	CW994P#NW1
<b>GTIN (EAN)</b>	40 50663 09304 4
<b>Size</b>	w:418xd:660xh:342 (mm)
<b>Weight</b>	37 kg
<b>Colour</b>	white
<b>Material</b>	ceramic
<b>Technologies</b>	TORNADO FLUSH, CEFIONTECT, RIMLESS, Water saving, 3/6 L

### TO BE COMBINED WITH:

<b>WASHLET™ NEOREST EW</b>	TCF994WGE#NW1
<b>TECEprofil frame</b>	toilet module for NEOREST
<b>Motor unit for Auto Flush</b>	E00004
<b>Push plate</b>	E00003 (glass white)

Weights and measurements shown may be subject to small variations or are indicative.