

**ATTENTION!**  
**REMOVE FILM PRIOR TO FITTING**

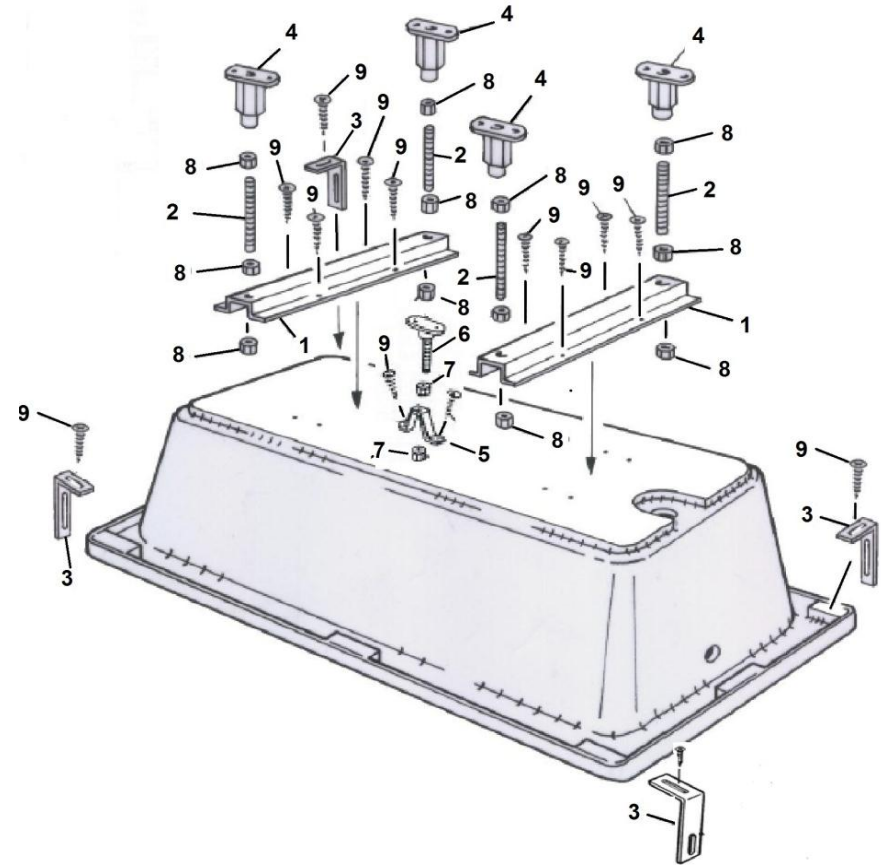
- Before fixing any bath or panel – remove ALL protective covering and examine carefully. The polythene film must be removed in full and the bath checked for any visible damage.
- Check the panel fit and match prior to installation

**NO CLAIMS FOR THE ABOVE WILL BE ACCEPTED ONCE THE BATH IS FITTED**

1. Remove **all** packaging including the polyethylene film which covers the entire bath
2. **Check** that colour match is acceptable and that there is no damage on the bath that may have occurred prior to installation
3. Fix the two 500mm channels to the base of the bath (see illustration) using the self tapping screws
4. Place the All thread bars through the holes in the 500mm channels and fix the 65mm plastic feet using the M12 Nuts (see illustration)
5. Secure the adjustable centre support using screws and nuts provided to the centre of the baseboard. Attach the centre foot with nuts provided
6. Secure the Wall Brackets to the bath as \*illustrated using screws provided
7. With the bath in the upright position set top face level using threaded adjustment of feet and lock-nuts. If a panel is to be fitted set bath height to depth of panel
8. Before final fixing of the bath, fit tap and waste fittings using a suitable sealing compound. When complete fit the bath into position and secure the legs to the floor
9. Ensure the wall brackets are securely fixed to the wall. Movement may occur if not fitted correctly

**Please note:**

- \*It is advised that shower baths and rectangular baths that are **NOT** going wall to wall should be supported on the front rim by the use of a wooden support or similar.
- When relevant the bath should be set to supplied panel height
- The baseboard, if not visible, is encapsulated into the bath (I.e. under the GRP reinforcement)



Item No.	Quantity	Description	Checked
1	2	500mm Channels	
2	4	120mm All threads	
3	4	Wall Brackets	
4	4	M12x65mm Plastic Feet	
5	1	Centre Foot Bracket	
6	1	M8 Centre Foot	
7	2	M8 Nuts	
8	12	M12 Nuts	
9	14	16mm Self Tapping Screws	
10	1	Fitting Instruction	YES

**Illustrations and specifications are not binding in detail bath model supplied may vary**