

Portland

Wall-Hung Heated Towel Rail

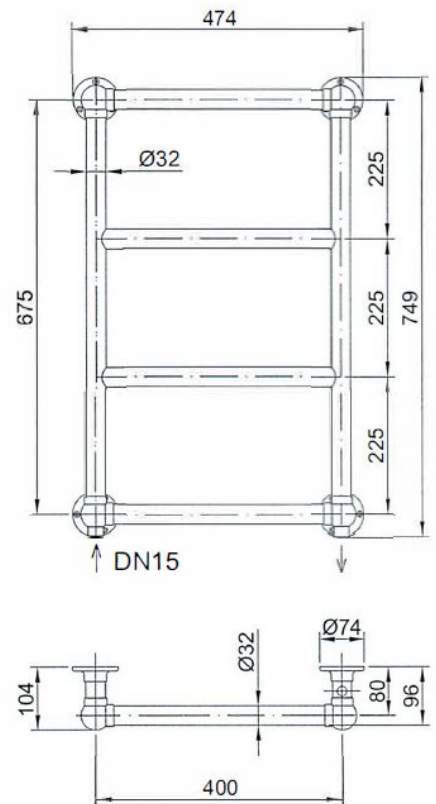
Product Specification

Product Code:	AHC94
Finish:	Chrome
Product Type:	Classic
Construction:	Body is of Steel Construction and is designed to conform to BS EN 442
Supply:	Suitable for closed central heating systems
Output:	474 BTU (139 Watts)
Valve Centres:	400mm
Dimensions for Fitting:	749 (H) mm, 474 (W) mm, 104 (D) mm



Additional Information

- Chrome plated to BS EN 248
- Includes valves in chrome
- Suitable for closed central heating systems only
- 5 Year Guarantee



Technical Advice: For further information please call 0844 701 8503 or email technical@heritagebathrooms.com.

Guarantee: 5 Year Guarantee covering manufacturing faults.