

# HERITAGE<sup>®</sup>

## BATHROOMS

### Installation Instructions



#### Items Covered in this Booklet:

Double Bathroom Towel Shelf, Double Glass Shelf, Double Towel Rail, Double Tumbler & Holder, Grab Rail, Single Glass Shelf, Shower Tidy, Soap Dish, Soap Dispenser, Toilet Brush, Toilet Roll Holder, Toilet Roll Holder (UK style), Towel Ring, Tumbler & Holder, Wire Basket

Please keep this booklet for future reference.

Installer: When you have read these instructions please ensure you leave them with the user.



## Contents

When you purchase a Heritage product, you can be confident that it not only features a beautiful, distinctive, classical design, but also, that it has been made to the very highest quality standards.

To ensure that it works to its full potential, it needs to be fitted correctly.

These fitting instructions have been created to give you all of the information you need and if you need any further help, please do not hesitate to give us a call on **0844 701 8503**.

Safety Information	02
Installation	03-05
Aftercare	05
Guarantee	06-07

## Safety Information

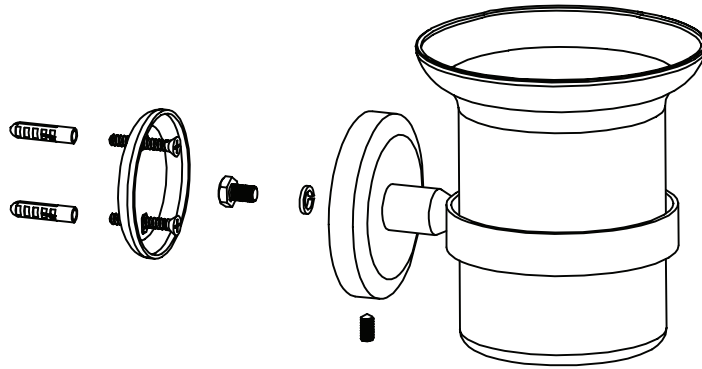
**Warning:** Before starting any installation please consider the following: Prior to drilling into walls or floors, check that there are no hidden electrical wires, cables or water supply pipes. This can be checked with the aid of an electronic detector.

- If power tools are used do not forget to:
- Wear eye protection
  - Unplug equipment after use

If you are unsure at all regarding the installation of this product, you should consult a competent person with experience of installing products of this nature.

The accuracy and levelness of these product may depend on the floor and walls being level and perpendicular to each other, if not then a spirit level can be used during the installation to get an accurate alignment.

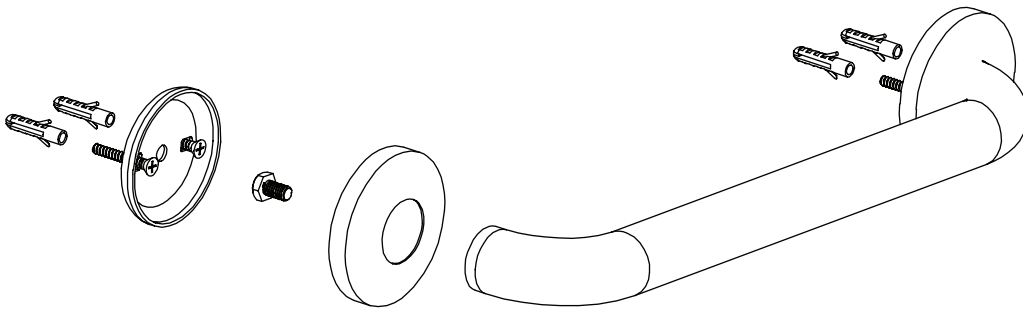
# Installation



Example of Single backplate fitting, the part supplied with your product may vary.

Single backplate fitting, tumbler and holder, double tumbler and holder, Toilet Brush:

1. Establish the position for the accessory and mark out the fixing holes.
2. Drill holes to suit and insert wall plugs if required.
3. Screw the fixing plate to the wall, with the back flat to the wall.
4. Loosen off the grub screw (but do not remove) and place the accessory over the fixing plate with the grub screw at the bottom.
5. Tighten up the grub screw until the pillar is secure against the wall.



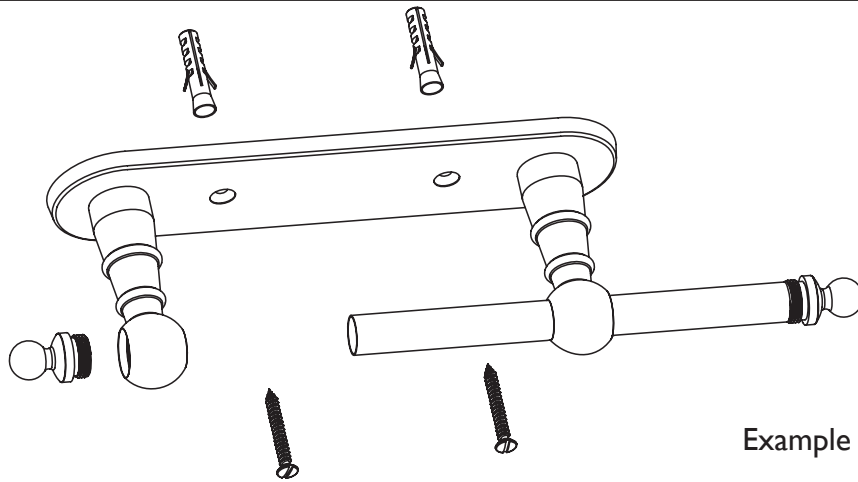
Example of Double backplate fitting, the part supplied with your product may vary.

Double backplate fitting:

1. Establish the position for the accessory and mark out the fixing holes. We recommend that the centre distance of the accessory assembly is checked prior to drilling.
2. Drill holes to suit and insert wall plugs if required.
3. Screw the fixing plates to the wall, with the back flat to the wall.
4. Loosen off the pillar grub screw, but do not remove.



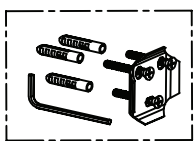
# Installation



Example of Double Fixing

Towel Rail, Toilet Roll Holder, Robe Hook, Shower tidy, Soap Dish, Soap Dispenser, Shower Tidy & Towel Ring:

1. Establish the position for the accessory and mark out the fixing holes.
2. Drill holes to suit and insert wall plugs if required.
3. Screw the fixing plate to the wall, with the back flat to the wall.
4. Loosen off the grub screw (but do not remove) and place the accessory over the fixing plate with the grub screw at the bottom.
5. Tighten up the grub screw until the pillar is secure against the wall.
6. To remove/replace toilet roll, unscrew knob to release the bar; replace toilet roll and re-screw knob to tighten in place.

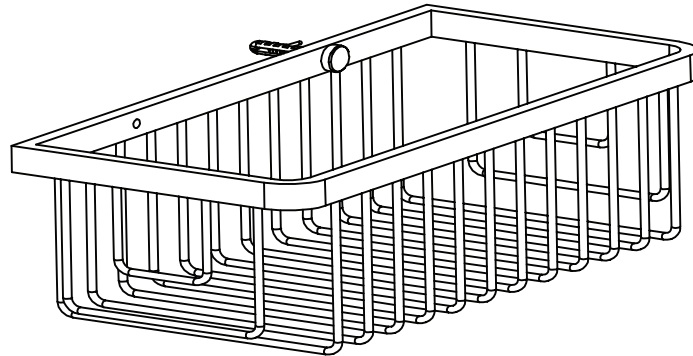


Example of Double Fixing

Shelf

1. Fit the shelf into the brackets and secure in position by tightening the plastic grub screws in the pillars.
2. Check the shelf for security.

## Installation



Wire Basket

1. Establish the position for the accessory and mark out the fixing holes
2. Check the position of the marked holes with the shelf assembly prior to drilling
3. Drill holes to suit and insert wall plugs if required
4. Ensure that the brass threaded washers provided, sit between the accessory and the screw head, and fit screws accordingly
5. Fit concealing caps over the screw heads and check basket for security

## Aftercare

Your fitting has a high quality finish and should be treated with care to preserve the visible surfaces.

All surface finishes will wear if not cleaned correctly, the only safe way to clean your product, is to wipe with a soft damp cloth. Stains can be removed using washing up liquid. All bath cleaning powders and liquids can damage the surface of your fitting even the non-scratch cleaners.



## Heritage Bathrooms Guarantee

When you buy a Heritage product, you can be confident that it not only features distinctive design, but that it has also been made to meet our rigorous quality standards.

We offer robust guarantees and an attentive aftercare service to ensure that if you do experience any issues, we can deal with a problem quickly, and effectively,

Please note that guarantees are only valid with proof of purchase,

Our guarantees are as follows:



2 Years on  
Mirrors & WC  
Seats



5 Years on  
Bath Screens,  
Furniture,  
Shower Valves,  
Taps, Wastes &  
Accessories



Lifetime Guarantees on Acrylic & Cast Iron Baths and Sanitaryware

### Register now for additional peace of mind

Register your product with us now and, if you do have any queries after installation, we'll be able to quickly identify the product and give you the best advice. It also means that you won't have to keep your proof of purchase to validate your guarantee. To register, simply go on-line at [www.heritagebathrooms.com/register](http://www.heritagebathrooms.com/register)

### Guarantee Terms and Conditions

The guarantee is in addition to your statutory and other legal rights and is subject to the following conditions:

- The product was purchased within the United Kingdom or Republic of Ireland
- The product is used in domestic applications only
- The guarantee applies solely to the original purchaser with proof of purchase
- The installation must allow ready access to all products for the purpose of inspection, maintenance or replacement
- Repair under this guarantee does not extend the original expiry date. The guarantee on any replacement parts or product ends at the original expiry date

Any parts found to be defective during the guarantee period will be replaced without charge, providing that the product has been installed in accordance with the instructions given in this guide and used as the manufacturer intended. If the product is no longer available, Heritage will endeavour to provide the nearest equivalent.

# Heritage Bathrooms Guarantee

The guarantee does not cover:

- Damage or defects caused by
  - General wear and tear (including special non-chrome finishes; components such as filters, seals, o-rings and washers)
  - Incorrect installation
  - Repair using non-Heritage parts
  - Accidental or wilful misuse
  - Corrosion and the use of inappropriate cleaning products
  - System debris including the build-up of limescale (which can be controlled through regular servicing and maintenance)
- Compensation for loss of use of the product or consequential loss of any kind

In the interests of continuous product improvement, Heritage reserves the right to alter product specifications without notice.

## Need help?

In the unlikely event that you encounter a problem with your Heritage product, you must, in the first instance contact the retailer you purchased it from. They will advise as to whether it is due to a manufacturing fault or an installation fault. If the problem is due to a manufacturing fault, they will contact us to arrange a supply of a replacement product as soon as possible. To speak to a Heritage customer service advisor, please contact our technical helpline on **0844 701 8503**.



# HERITAGE<sup>®</sup>

## BATHROOMS

Heritage Bathrooms  
Birch Coppice Business Park  
Dordon  
Tamworth  
B78 1SG

Website: [www.heritagebathrooms.com](http://www.heritagebathrooms.com)

Telephone: 0844 701 8503

Email: [technical@heritagebathrooms.com](mailto:technical@heritagebathrooms.com)

