

ACC01

CLIFTON Accessory Range

Clifton Towel Ring Chrome

Specification

Contemporary or Traditional:	Traditional
Main Construction Material:	Brass
Height (mm):	190
Width (mm):	160
Depth (mm):	100
Adjustable Brackets:	No
What's in the Box?:	1 x Towel Ring 1 x Wall Bracket 2 x Wall plugs and screws 1 x Fitting Instructions



Features:

- Brass construction to resist rust and humidity in a bathroom environment
- Beautiful traditional styling
- Available in 2 colour finishes to match your brassware
- Concealed fixings

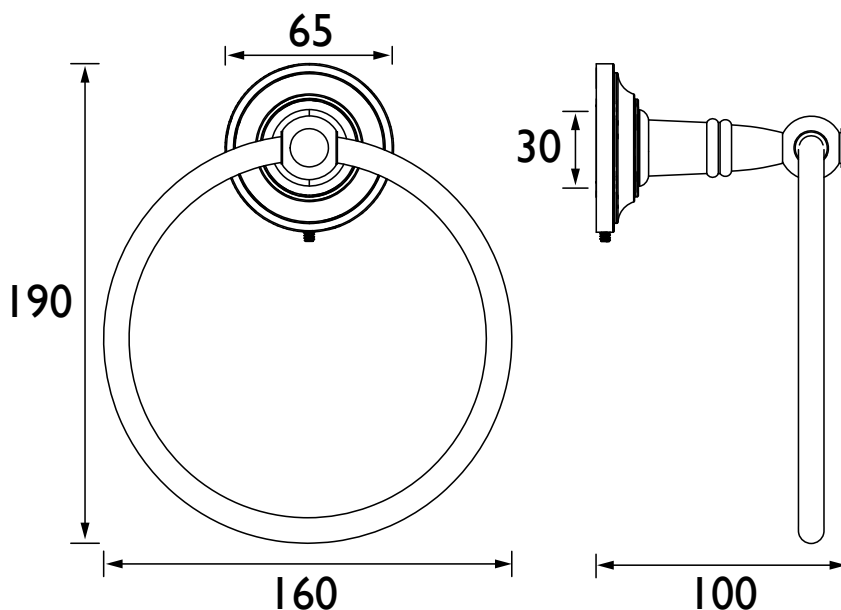
Product Certifications:

Additional Information:

Variant SKUs:

- ACA01 - Vintage Gold

Dimensions (measurements in mm)



TECHNICAL DATA SHEET



HERITAGE[®]

BATHROOMS

D4

Heritage Bathrooms, Birch Coppice Business Park, Dordon, Tamworth, B78 1SG. Telephone: 0330 026 8503. Web Site: www.heritagebathrooms.com Email: technical@heritagebathrooms.com.
***Non-chrome product finishes carry a 3 year guarantee on finish.** All of our products are covered by a guarantee. Most include both parts and labour. Please note that guarantees are only valid with a proof of purchase. Our guarantees apply to products in domestic use. Any products in commercial use carry a guarantee of 1 year. See www.heritagebathrooms.com/warranty for more information.
 The information contained on this page was correct at date of issue. Fitting Dimensions are provided as a guide only. Some variation may occur due to manufacturing tolerances.
 Heritage Bathrooms pursues a policy of continuous improvement in design and performance of its products and so reserves the right to change specifications without prior notice.