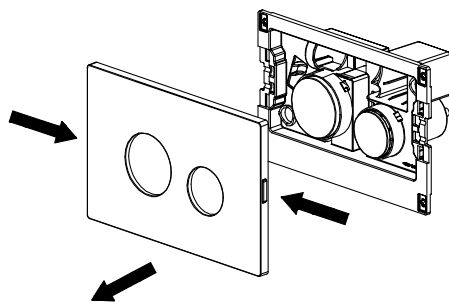
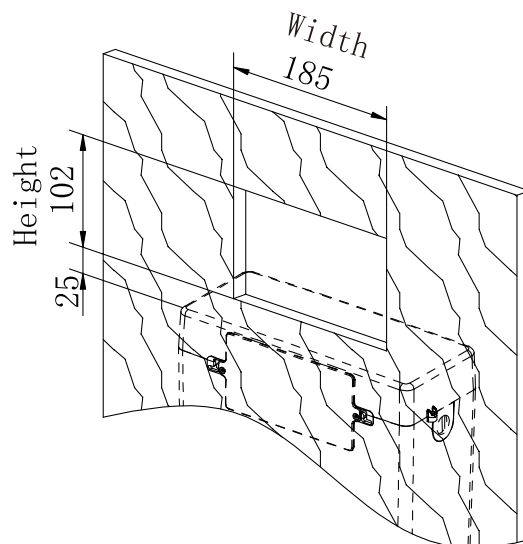


INSTALLATION INSTRUCTION FOR PLATE

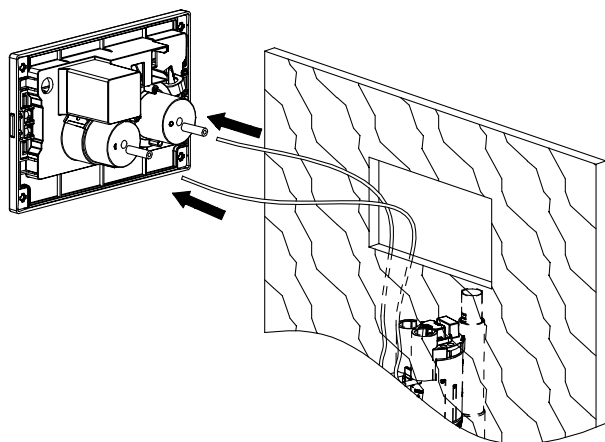
- 1 Press indicators on both sides of cover plate to remove the plate



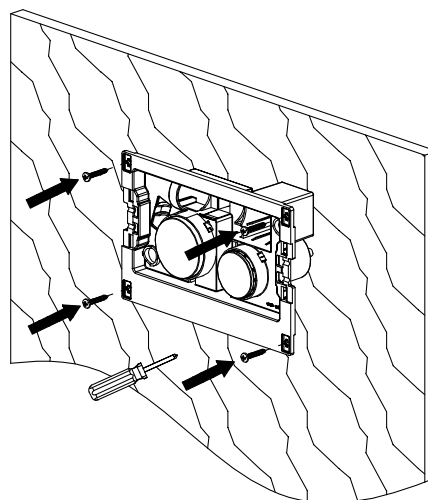
- 2 Carefully cut the template opening on the installation panel



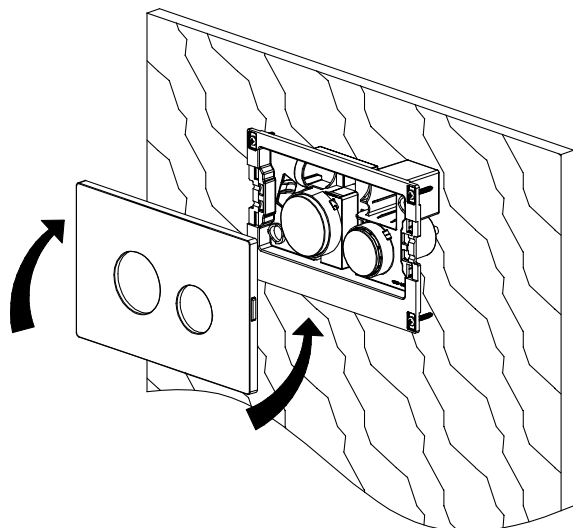
- 3 Connect full and half flush pipe from flush valve to flush control



- 4 Use screws to fix flush control bracket to installation panel



- 5 Attach the cover plate to the flush panel



- 6 Full flush and half flush indication

