



## Specification

<b>Product Type:</b>	Traditional
<b>Main Construction Material:</b>	Brass
<b>Mount Type:</b>	Deck Mounted
<b>Handle Type:</b>	Lever Handles
<b>Connection Inlet:</b>	G 3/4" BSP
<b>Connection Outlet:</b>	Open
<b>Number of Tap Holes:</b>	2
<b>Valve/Cartridge Type:</b>	1/4 Turn 3/4" Ceramic Disc Valve
<b>Plumbing System Requirements:</b>	Suitable for all plumbing systems
<b>Minimum Dynamic Pressure (bar):</b>	0.1 bar
<b>Maximum Dynamic Pressure (bar):</b>	5.0 bar
<b>Maximum Hot Water Temperature °C:</b>	60°C
<b>Maximum Static Pressure (bar):</b>	10 bar
<b>Flow Type:</b>	Single Flow
<b>Isolation Included:</b>	No

### Features:

- Compatible with low pressure water systems, optimised for UK market
- Quarter turn ceramic discs - for smooth operation and added durability
- Lever handles
- Available in a selection of finishes

### Product Certifications:

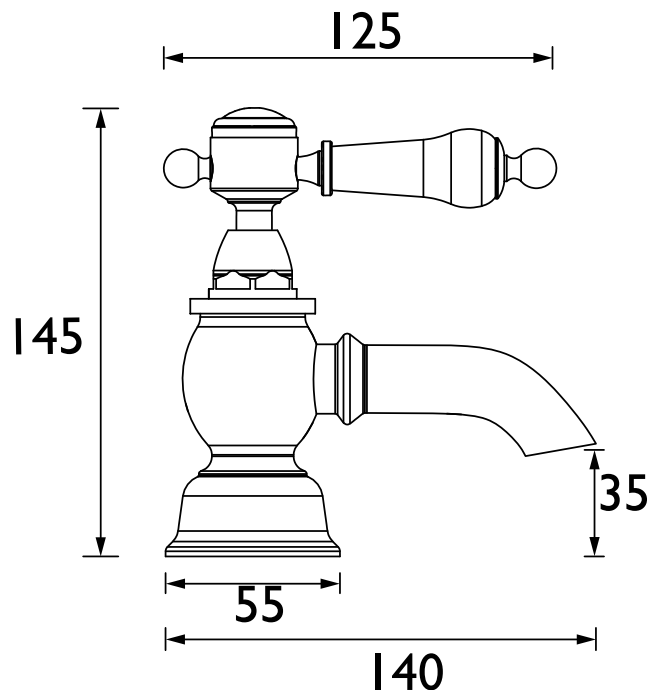


WRAS Cert. Number: I806068  
WRAS Expiry Date: 30/06/2023



### Additional Information:

## Dimensions (measurements in mm)



## Flow Rates (l/min)

System Pressure (bar)	0.1	0.5	1	2	3	5
TGRC01 (Cold)	12.8	28.3	40.2	56.9	69.6	89.9
TGRC01 (Hot)	12.8	28.4	40.3	57	69.8	90.1