



## Specification

<b>Product Type:</b>	Bathroom Tap
<b>Main Construction Material:</b>	Brass
<b>Mount Type:</b>	Deck
<b>Handle Type:</b>	Lever
<b>Connection Inlet:</b>	1/2" BSP
<b>Connection Outlet:</b>	M18 Aerator 5lpm Flow Limiter
<b>Number of Tap Holes:</b>	2
<b>Valve/Cartridge Type:</b>	1/2" Ceramic Disc Valve
<b>Plumbing System Requirements:</b>	Suitable for all plumbing systems
<b>Minimum Dynamic Pressure (bar):</b>	0.5 bar
<b>Maximum Dynamic Pressure (bar):</b>	5.0 bar
<b>Maximum Hot Water Temperature °C:</b>	65 °C
<b>Maximum Static Pressure (bar):</b>	10 bar
<b>Isolation Included:</b>	No

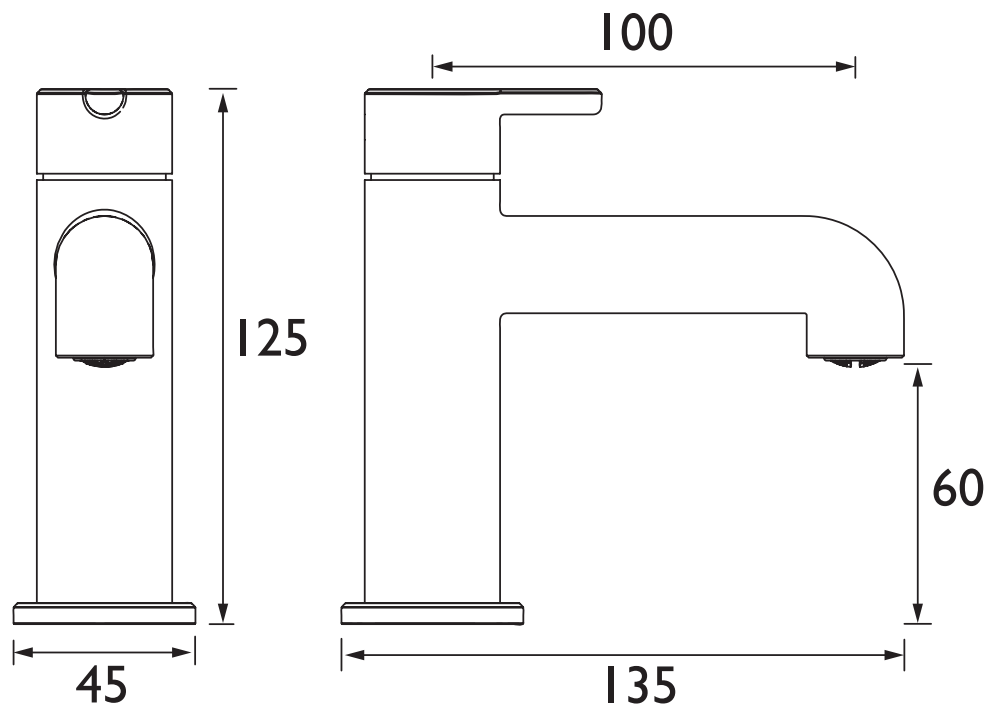
## Features:

- Compatible with low pressure water systems, optimised for UK market
- Quarter turn ceramic discs - for smooth operation and added durability
- Available in a selection of finishes

## Product Certifications:



## Dimensions (measurements in mm)



## Flow Rates (l/min)

System Pressure (bar)	0.5	1	2	3	5
TDACBB00 (Cold)	5	5	5	5	5
TDACBB00 (Hot)	5	5	5	5	5