

□ **CARE AND CLEANING INSTRUCTIONS**

- The seat and cover should be cleaned using warm soapy water.
- Do not use aggressive or abrasive cleaners as this may scratch the surface of the seat.
- The hinges should be cleaned using soap, or a mild detergent. After cleaning the hinges should be rinsed in clean water and dried.
- Never use bleach, concentrated cleaners or acids on the hinges as this will cause discolouring and pitting.
- Do not leave bleach in the toilet bowl with the cover closed because this may cause discolouration of the seat and hinges.
- Take care not to splash the hinges when using bleach in the toilet bowl.

The Bathroom Works
National Avenue
Kingston upon Hull
HU5 4HS
England
Telephone: (01482) 346461
Telefax: (01482) 445886.

CUSTOMER CARE HELPLINE
0870 1296085
FAX LINE 01482 499611
ukcustcare@idealstandard.com

Ideal Standard (UK) Ltd. pursues a policy of continuing improvement in design and performance of its products. The right is, therefore, reserved to vary specifications without notice.

4487 05/08

Toilet Seat Installation Space Closet

Important Care and
Installation Instructions,
Please retain for future reference.

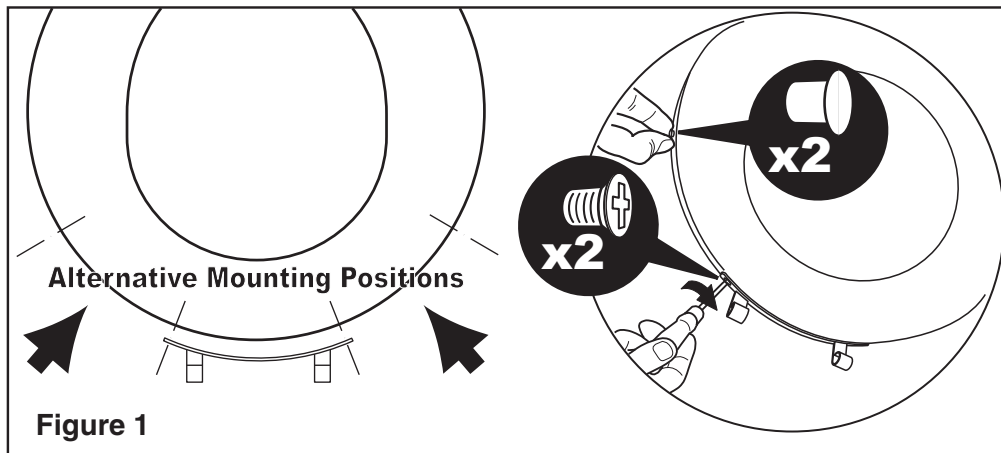


Figure 1

The **Space seat** can be positioned conventionally or turned 45° left or right.

Line up the hinge with one of the three alternative mounting positions, insert and tighten the screws and insert blanking plugs into the unused holes. Figure 1

Insert the plastic sleeves, that lock the seat and cover together, before inserting the hinge pins into the sleeves. Figure 2

Check the orientation of the hinges. On this model they throw

backwards. This ensures that the seat lines up correctly. Figure 3a

Fit rubber centralising washers into the holes in the pan and lower the seat and cover, ensuring that the hinges are inserted in the holes in the centralising washers. Figure 3

Firstly fit a plastic coated washer, then a steel spring washer and nut to the thread of each hinge, before tightening with the tool provided. Figure 4

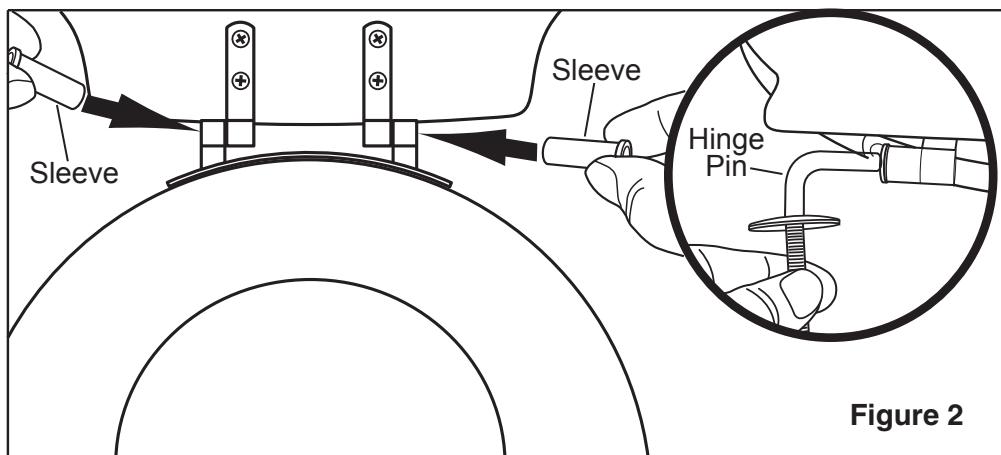


Figure 2

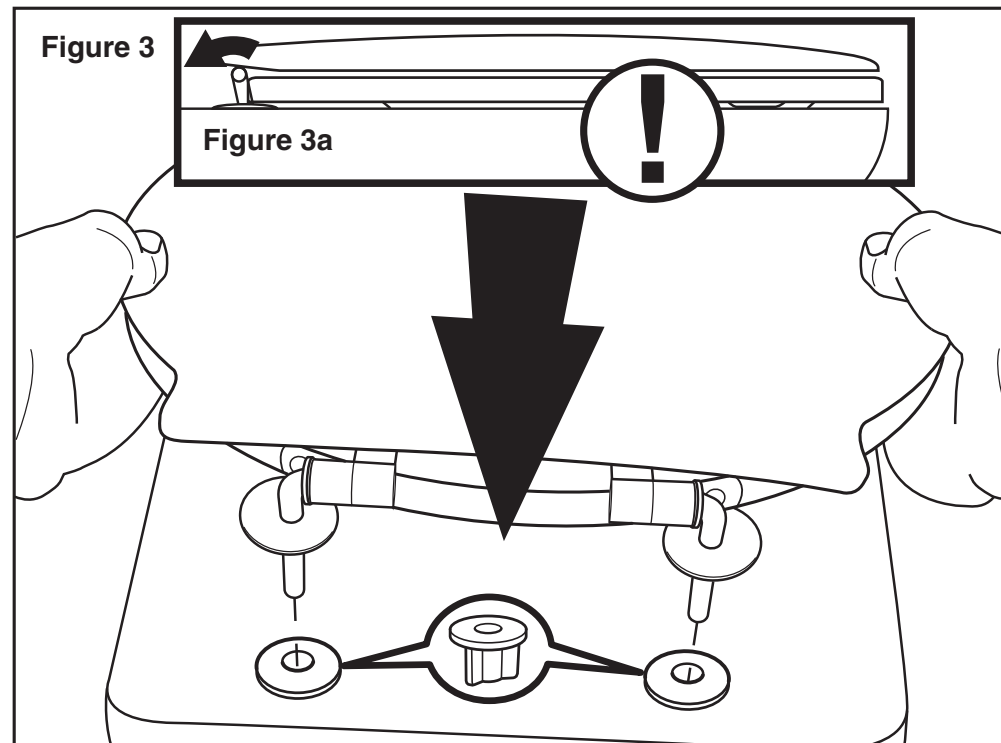


Figure 3

Figure 3a

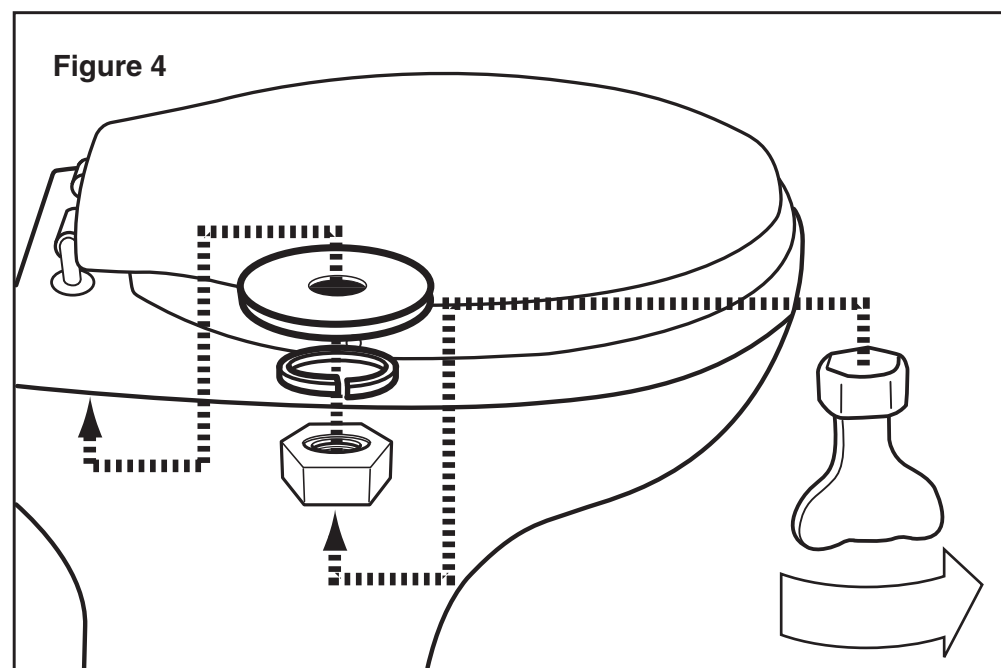


Figure 4