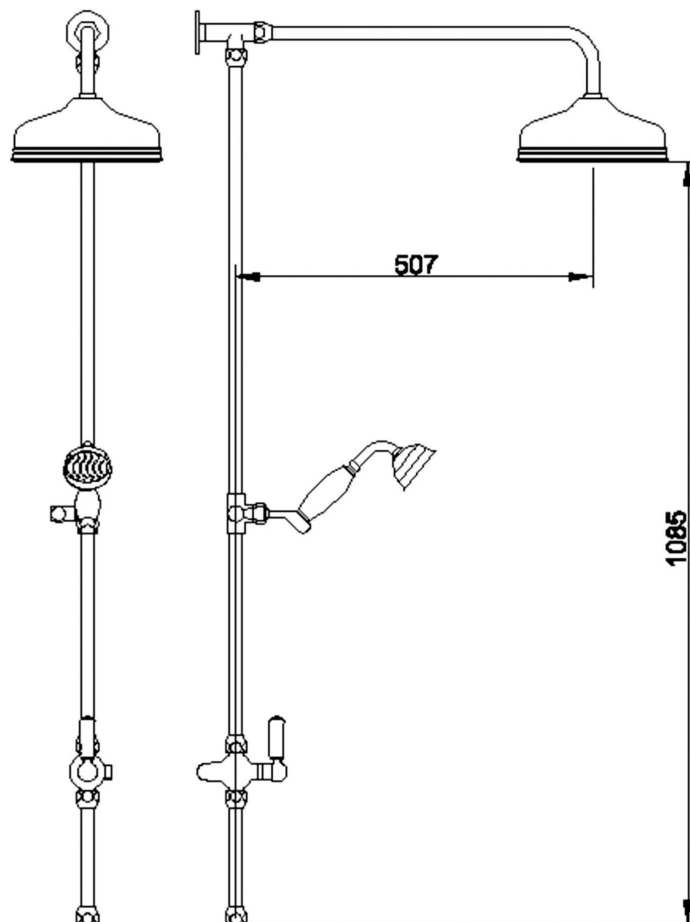


Sales Code: AM312

Description: Victorian Grand Rigid Riser Kit



### Product Dimensions

Length (mm):	
Width (mm):	194
Height (mm):	1260
Depth (mm):	670
Nett Weight (kg):	4.7

### Packaging Dimensions

Length (mm):	1100
Width (mm):	240
Height (mm):	
Gross Weight (kg):	5.2

### Packaging Data

Box Colour:	White Cardboard Box
Box Qty:	1
Label Size:	100 x 50
Label Colour:	White Label
Label Qty:	2

### Outer Box Dimensions (If Applicable)

Length (mm):	
Width (mm):	
Height (mm):	
Depth (mm):	
Gross Weight (kg):	19
Barcode:	5055146129714

### Product Details

Country of Origin:	China
Fitting Instruction:	No
Product Material:	Brass
Mount Type:	Surface, Wall
Outlet Elbow Supplied:	No
Easy Clean:	No
Head Included:	Yes
Handset Included:	Yes
Body Jets Included:	No
No of Body Jets:	Not Applicable
Operating Pressure (bar):	0.5
Valve/Cartridge Type:	Not Applicable
Flow Rates (L/min):	0.1 bar: N/A 0.5 bar: N/A 1 bar: N/A 2 bar: N/A 3 bar: N/A
TMV2 Approved:	No Approval No: N/A
TMV3 Approved:	No Approval No: N/A
WRAS Approved:	No Approval No: N/A
Head Function:	Single
Handset Function:	Single Setting
Body Jet Info:	Not Applicable
Pipe Size:	18 mm
Pipe Centres:	N/A
Colour/Finish:	Chrome
Hose Included:	Yes
No. of Outlets:	2