

# HERITAGE<sup>®</sup>

## BATHROOMS

### Installation Instructions & User Guide

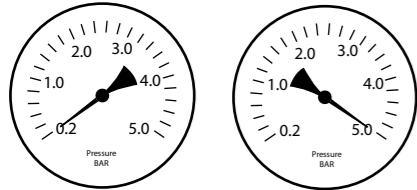
Please leave these instructions with the end user

Product Code: TTRCC073 (D3)

#### Specifications

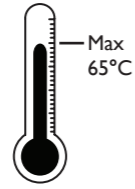
##### Dynamic Water Pressure

Min: 0.2 bar    Max: 5.0 bar



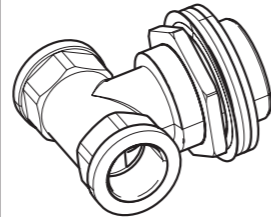
Maximum Static Pressure: 10.0 bar

##### Inlet Water Temperature

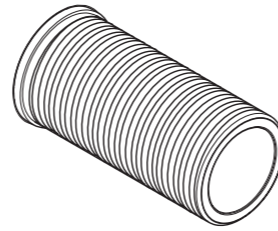


65°C  
Maximum

##### Inlet Connections

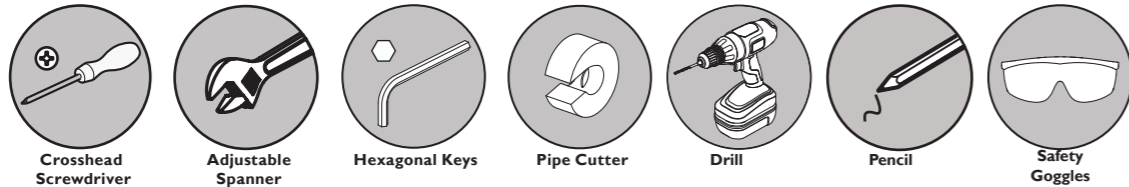


Side Bodies -  
1/2" BSP Female



Spout - 1/2" BSP

#### Tools You'll Need



#### Prior to Installation

All products manufactured and supplied by Heritage are safe to use provided that they are installed, operated and receive regular maintenance in accordance with these instructions.

This product needs to be installed in accordance with, and meet the requirements of the Water Supply (Water Fittings) Regulations 1999 and current by-laws. For full Installation Requirements & Notes (IRN) please visit [wras.co.uk/directory](http://wras.co.uk/directory).

Isolation valves must be fitted to the inlet water supplies to ensure ease of future maintenance.

Before installing this product the water supply must be thoroughly flushed in order to remove any swarf, solder etc. Full access must be made available for future maintenance/ servicing purposes.

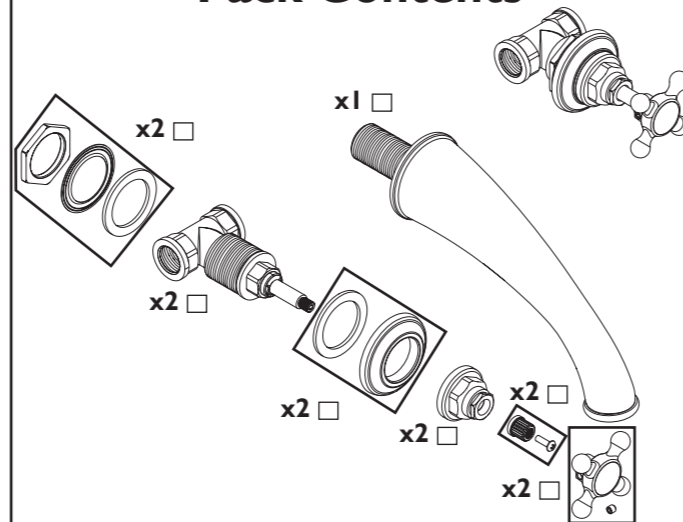
If power tools are used do not forget to:  
- Wear eye protection  
- Unplug equipment after use

This product must not be modified in any way as this will invalidate the guarantee.

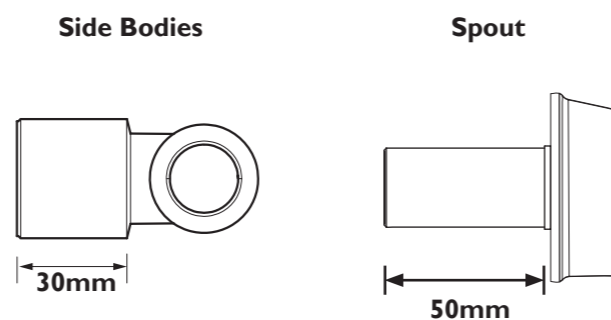
If in doubt, contact a registered plumber, your Local Water Authority or the Secretary of the Institute of Plumbing, address as follows:-

The Institute of Plumbing,  
64 Station Lane,  
Hornchurch,  
Essex,  
RM12 6NB, Tel: 01708 472791

#### Pack Contents



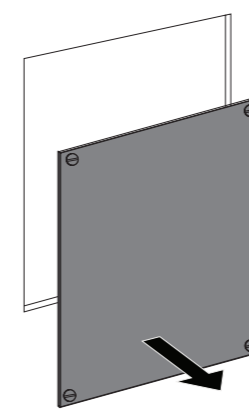
#### Thread Lengths



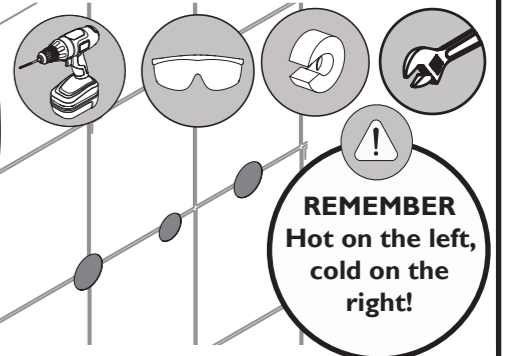
#### Installation

1

Create the rear access point in the back of the wall cavity.



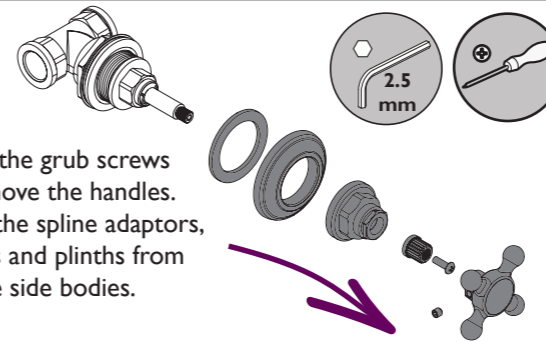
2



Identify the required position of the spout and side bodies. Mark and drill holes. Prepare the water supply pipes to the location. Install suitable batons into the wall cavity if required. Secure pipes to the wall. Finish the wall surface. (The use of a false wall is advised).

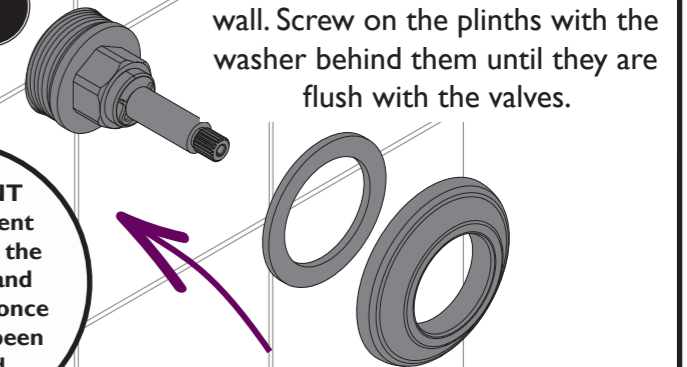
3

Undo the grub screws to remove the handles. Remove the spline adaptors, shrouds and plinths from the side bodies.



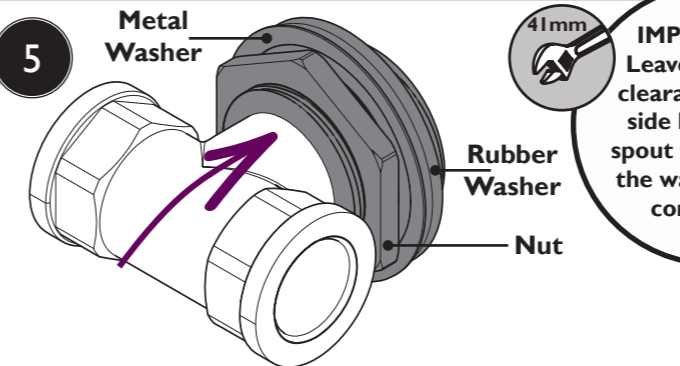
4

Push the side bodies through the wall. Screw on the plinths with the washer behind them until they are flush with the valves.



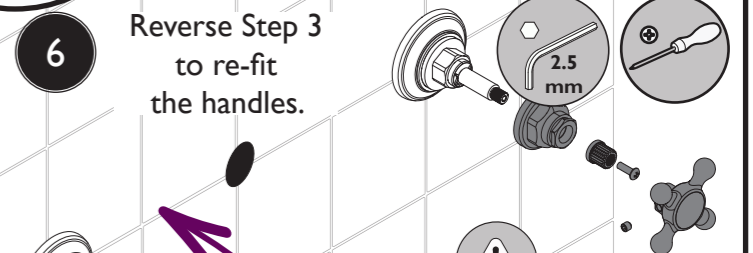
5

At the rear access point, gently pull back the side bodies until you meet resistance. Slide the washers up to the wall and secure the side bodies using the nuts.



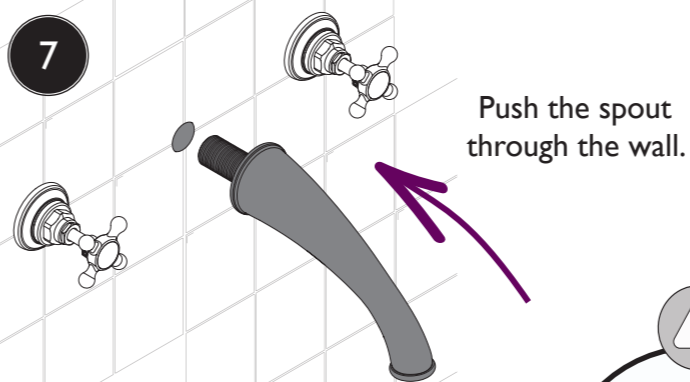
6

Reverse Step 3 to re-fit the handles.



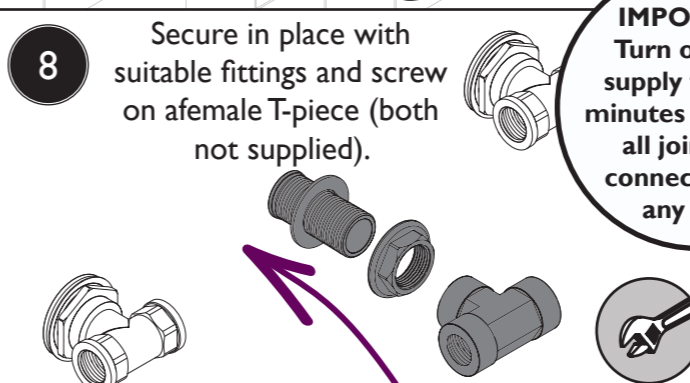
7

Push the spout through the wall.



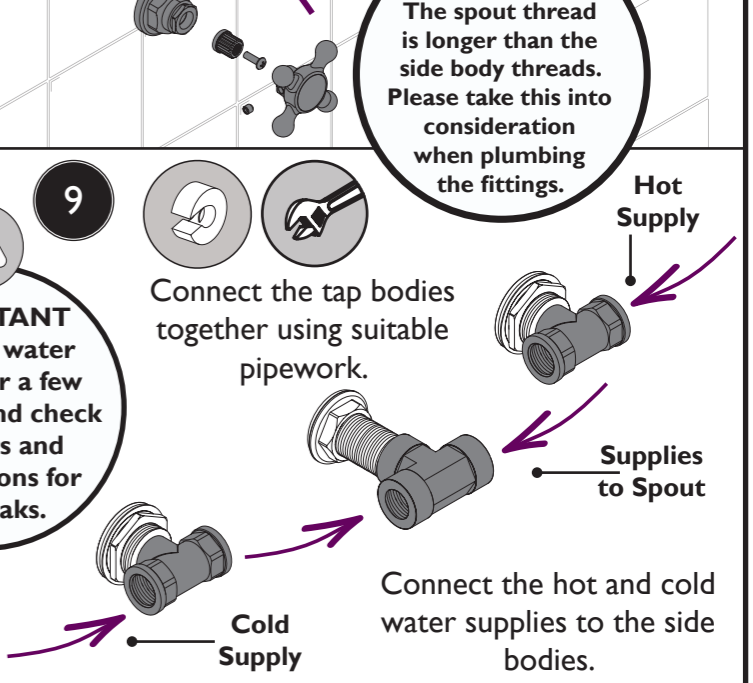
8

Secure in place with suitable fittings and screw on a female T-piece (both not supplied).



9

Connect the tap bodies together using suitable pipework.



Connect the hot and cold water supplies to the side bodies.

**IMPORTANT**  
Turn on water supply for a few minutes and check all joints and connections for any leaks.

**IMPORTANT**  
The spout thread is longer than the side body threads. Please take this into consideration when plumbing the fittings.

### Operation

**Hot**

**Cold**

**On**

### General Cleaning

Heritage products are made from premium materials, with hand polished, PVD, EPD or electroplated finishes.

Your product should be regularly cleaned with warm water, a mild pH-neutral liquid soap, and polished with a soft cloth. Any residues from soap, toiletries etc. should be rinsed off straight after use.

Household bleaches and cleaners contain harsh chemicals and may damage the surface finish. Avoid using abrasive cloths, scouring pads, scrub sponges, steel wool or anything similar.

Some surfaces such as nickel and pewter may be affected by the dye found in some cloths, so it is also important to avoid leaving cloths on surfaces.

### Troubleshooting

Symptom	Cause	Remedy
<b>No flow or low flow rate</b>	Partially closed isolation valve.	Open isolation valve.
	Instantaneous water heater cycles on and off as flow rate or pressure is too low.	Increase water flow rate or pressure through system.
	Head of water is below the minimum distance required.	Refer to specification for minimum distance required.
	Hot or cold water being drawn off elsewhere causing pressure changes or instantaneous boiler temperature changes.	Do not use other water outlets when using the taps.
	Airlock or partial blockage in the supply pipework.	Flush through pipework to ensure removal of debris and any airlocks.
<b>Water dripping from taps</b>	This is normal for a short time after using the taps.	This is caused by residual water tension, the build up of water in the tap body.
	If water continues to drip, possibly due to the ceramic disc valves	Remove valves and clean, refer to 'Maintenance' section before starting any maintenance.
<b>Taps do not turn on</b>	Closed isolation valve.	Open isolation valve.
	Mains water supply turned off.	Turn on mains water supply.

### Maintenance - Replacing Valves

1 Undo the grub screws to remove the handles. Remove the spline adaptors and shrouds.

2.5 mm

### Maintenance - Replacing Outlet

1 Remove the outlet using an adjustable spanner.

**IMPORTANT**  
Isolate the water supply before starting!

2 Unscrew the valve using an adjustable spanner.

Check the outlet and seals for any damage and replace if necessary. Soak all hard components in a suitable solution until fully de-scaled. Rinse thoroughly to remove any chemicals and debris.

3 Re-fit the outlet ensuring all seals are in place.

2.5 mm

Replace the valves. Please visit [www.heritagebathrooms.com](http://www.heritagebathrooms.com) or scan the QR Code and search for your product code to replace any available spare parts for your tap. Reverse steps 3-1 to replace the valves and handles.

### Notes

Please use this space for any notes you or your installer may have regarding the installation/plumbing of this product.

### Contact Us

**Bristan Group Ltd.**

**UK:** Heritage Bathrooms, B78 ISG.  
**EU:** Masco Europe S.à.r.l.  
14 Rue Strachen  
6933 Mensdorf  
Luxembourg

**Customer Service:** +44330 026 8503  
**Web:** [www.heritagebathrooms.com](http://www.heritagebathrooms.com)  
**Email:** [enquire@heritagebathrooms.com](mailto:enquire@heritagebathrooms.com)

**A Masco Company**

### Our Guarantee

The confidence we have in the quality of our products and services enables us to offer a free peace-of-mind product guarantee from 2 years up to a lifetime guarantee against any manufacturing faults, with proof of purchase. In addition, our attentive customer service team are available to help solve any problems which may arise quickly and effectively so you can enjoy your bathroom.

To see the specific guarantee for this product, scan the QR Code or visit the following URL:  
<https://www.heritagebathrooms.com/service-centre/guarantee>