



Specification

Product Type:	Bathroom Taps
Main Construction Material:	Brass
Mount Type:	Wall Mounted
Handle Type:	Crosshead Handles
Connection Inlet:	G 1/2" Female
Connection Outlet:	M24 Flow Straightener
Number of Tap Holes:	3
Valve/Cartridge Type:	3/4" Long Stem Ceramic Disc Valves
Plumbing System Requirements:	Suitable for all plumbing systems
Minimum Dynamic Pressure (bar):	0.2 bar
Maximum Dynamic Pressure (bar):	0.5 bar
Maximum Hot Water Temperature °C:	65°C
Maximum Static Pressure (bar):	10 bar
Flow Type:	Single Flow
Isolation Included:	No

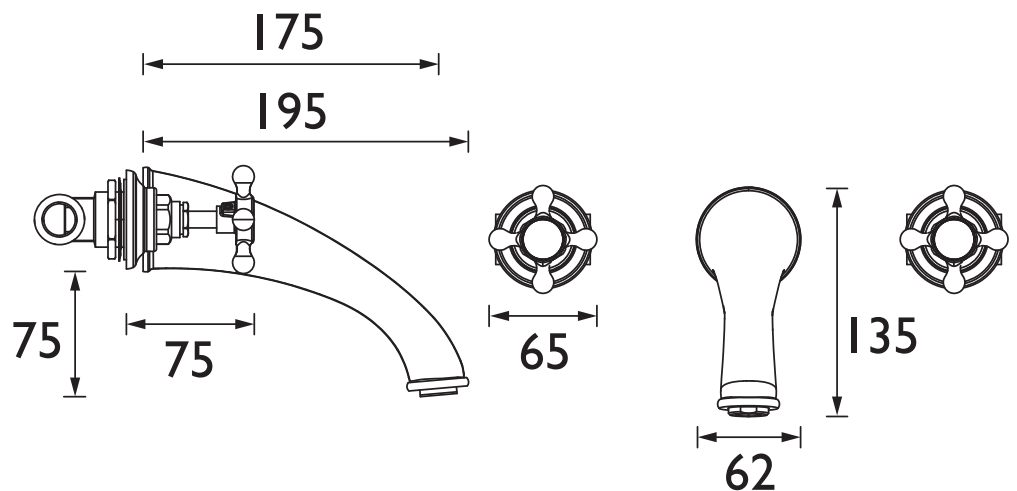
Features:

- Uniquely designed Timeless detailing for traditional bathrooms.
- Hand-finished handles using precision watchmaker techniques.
- Minimum working pressure of 0.2 bar

Product Certifications:



Dimensions (measurements in mm)



Additional Information:

Flow Rates (l/min)

System Pressure (bar)	0.2	0.5	1	2	3	5
TTRCC073 (mixed)	15.1	24	33.9	47.6	58.3	75.2
TTRCC073 (Hot)	9.84	15	21.18	29.88	36.84	47.2
TTRCC073 (Cold)	9.42	14.76	20.68	29.42	36.46	46.84