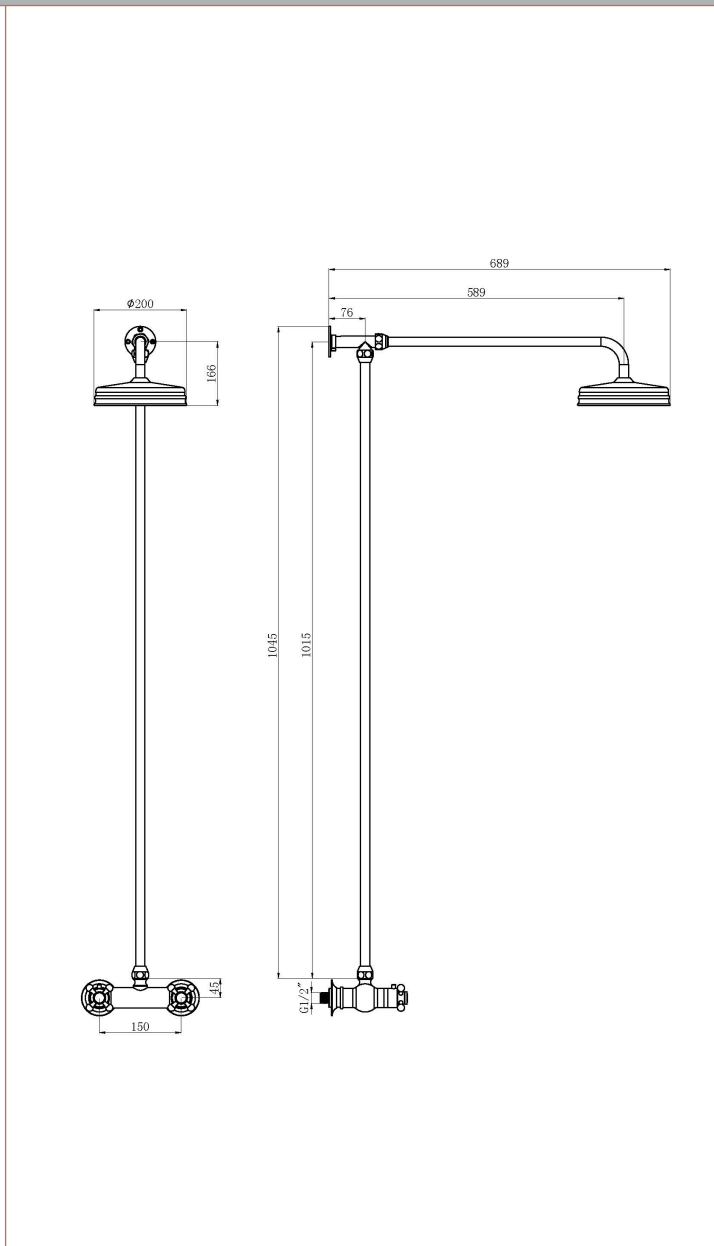
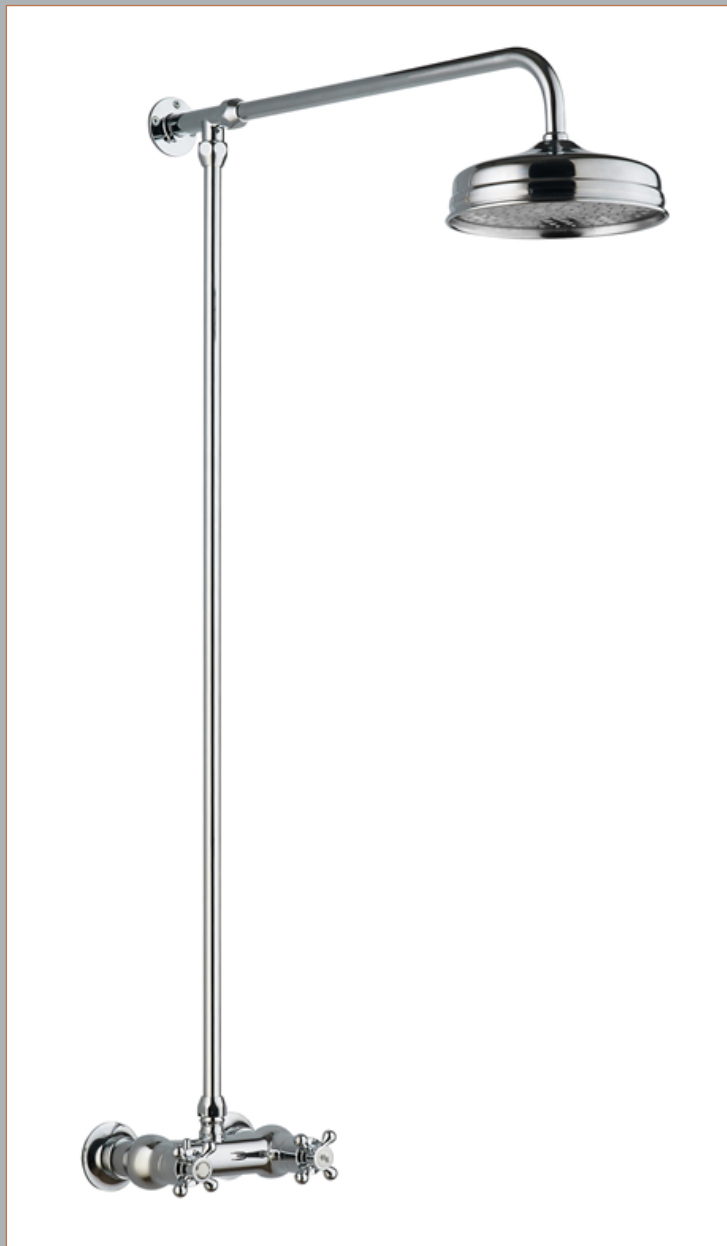


Sales Code: A3118

Description: Trad Ther Shower Valve And Rigid Riser



Product Dimensions

Length (mm):	
Width (mm):	200
Height (mm):	1045
Depth (mm):	689
Nett Weight (kg):	6

Packaging Dimensions

Length (mm):	75
Width (mm):	130
Height (mm):	
Gross Weight (kg):	6

Packaging Data

Box Colour:	White Cardboard Box
Box Qty:	1
Label Size:	100 x 50
Label Colour:	White Label
Label Qty:	1

Outer Box Dimensions (If Applicable)

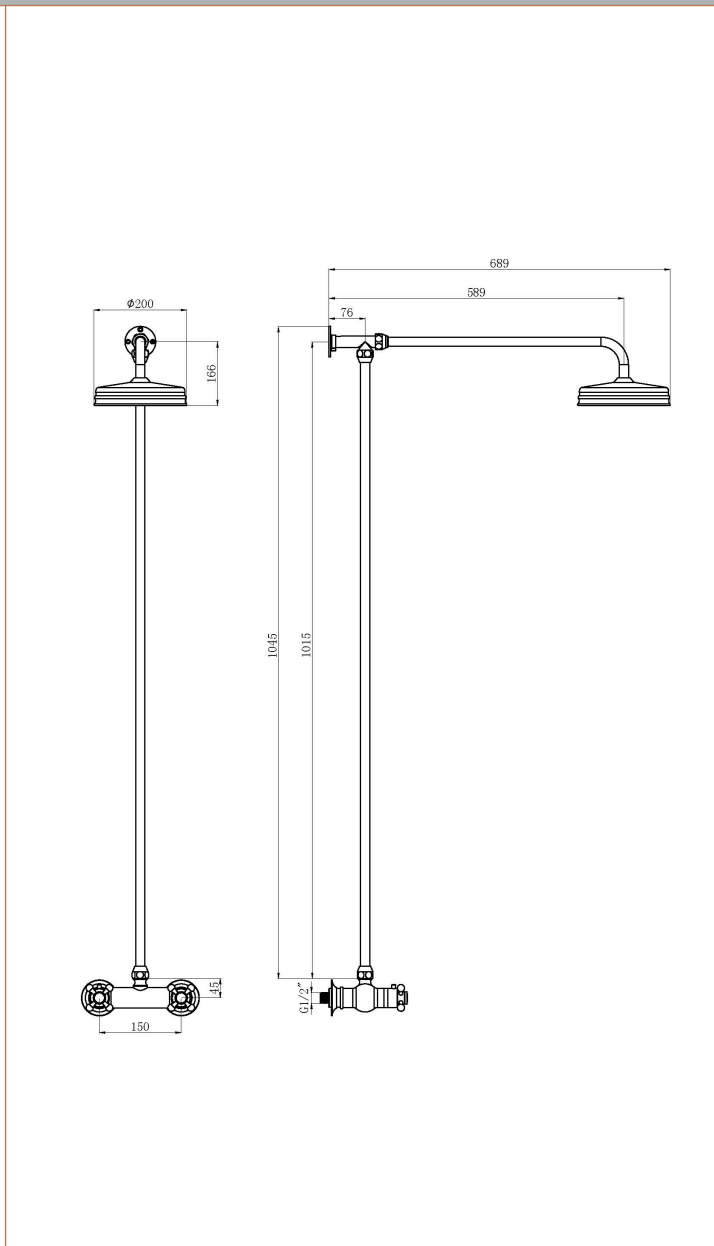
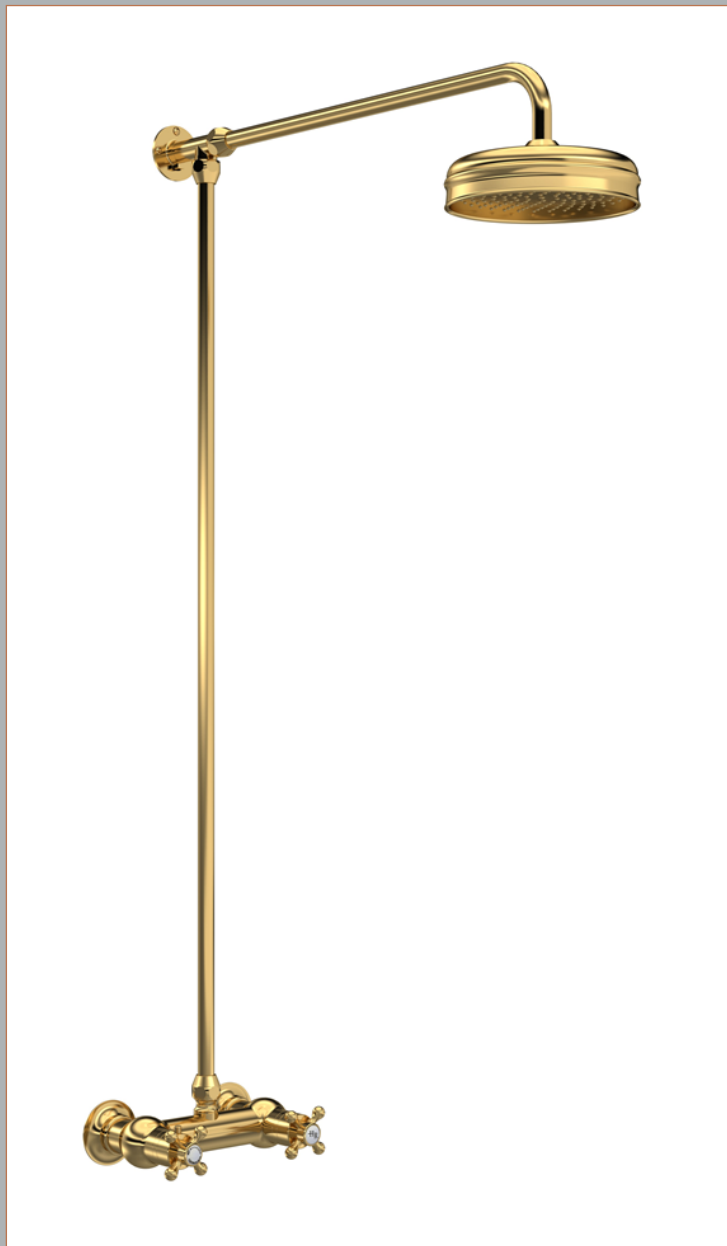
Length (mm):	
Width (mm):	
Height (mm):	
Depth (mm):	
Gross Weight (kg):	
Barcode:	5056211803393

Product Details

Country of Origin:	China
Fitting Instruction:	No
Product Material:	Brass
Mount Type:	Wall
Outlet Elbow Supplied:	Not Applicable
Easy Clean:	No
Head Included:	Yes
Handset Included:	Yes
Body Jets Included:	No
No of Body Jets:	Not Applicable
Operating Pressure (bar):	0.5
Valve/Cartridge Type:	1/4 Turn Ceramic Disc
Flow Rates (L/min):	0.1 bar: N/A 0.5 bar: 7.3 1 bar: 10.4 2 bar: 14.9 3 bar: 18.3
TMV2 Approved:	No Approval No: N/A
TMV3 Approved:	No Approval No: N/A
WRAS Approved:	No Approval No: N/A
Head Function:	Single
Handset Function:	Single Setting
Body Jet Info:	Not Applicable
Pipe Size:	18 mm
Pipe Centres:	150
Colour/Finish:	Chrome
Hose Included:	Not Applicable
No. of Outlets:	1

Sales Code: A8118

Description: Trad Ther Shower Valve And Rigid Riser



Product Dimensions

Length (mm):	
Width (mm):	200
Height (mm):	1045
Depth (mm):	689
Nett Weight (kg):	6

Packaging Dimensions

Length (mm):	75
Width (mm):	130
Height (mm):	
Gross Weight (kg):	6

Packaging Data

Box Colour:	White Cardboard Box
Box Qty:	1
Label Size:	100 x 50
Label Colour:	White Label
Label Qty:	1

Outer Box Dimensions (If Applicable)

Length (mm):	
Width (mm):	
Height (mm):	
Depth (mm):	
Gross Weight (kg):	
Barcode:	5056462603445

Product Details

Country of Origin:	China
Fitting Instruction:	No
Product Material:	Brass
Mount Type:	Wall
Outlet Elbow Supplied:	Not Applicable
Easy Clean:	No
Head Included:	Yes
Handset Included:	Yes
Body Jets Included:	No
No of Body Jets:	Not Applicable
Operating Pressure (bar):	0.5
Valve/Cartridge Type:	1/4 Turn Ceramic Disc
Flow Rates (L/min):	0.1 bar: N/A 0.5 bar: 7.3 1 bar: 10.4 2 bar: 14.9 3 bar: 18.3
TMV2 Approved:	No Approval No: N/A
TMV3 Approved:	No Approval No: N/A
WRAS Approved:	No Approval No: N/A
Head Function:	Single
Handset Function:	Single Setting
Body Jet Info:	Not Applicable
Pipe Size:	18 mm
Pipe Centres:	150
Colour/Finish:	Brushed Brass
Hose Included:	Not Applicable
No. of Outlets:	1