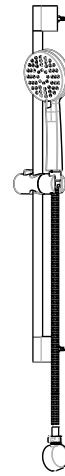


BRITTON[®]

INSTALLATION INSTRUCTIONS

HOXTON SHOWER SET WITH OUTLET ELBOW HOX.053



Important

- We recommend that this product is installed by a qualified professional plumber who is certified by NVQ (National Vocational Qualification) or SNVQ (Scottish National Vocational Qualification) Level 3.
- Please check this product upon delivery to ensure that it has not been damaged and is complete.
- Before installation, please make sure this product is the correct model and you have all the parts required for installation and use.
- If possible the shower kit should be supplied with hot and cold water at balanced pressure.
- It is important to flush the water system to ensure that no swarf, solder, or any other impurity or foreign body can enter the shower kit.
- Turn off the water supply before commencing work, this should be done at the isolating valves or inlet feeds if fitted, or otherwise at the main stopcock.
- Please read these instructions carefully and keep it for future reference.

Working pressure

The shower set is suitable for high pressure installation. The recommended minimum work pressure is 1 bar. The maximum work pressure is 5 bar. If the mains pressure is over 5 bar, then a flow regulator should be fitted.

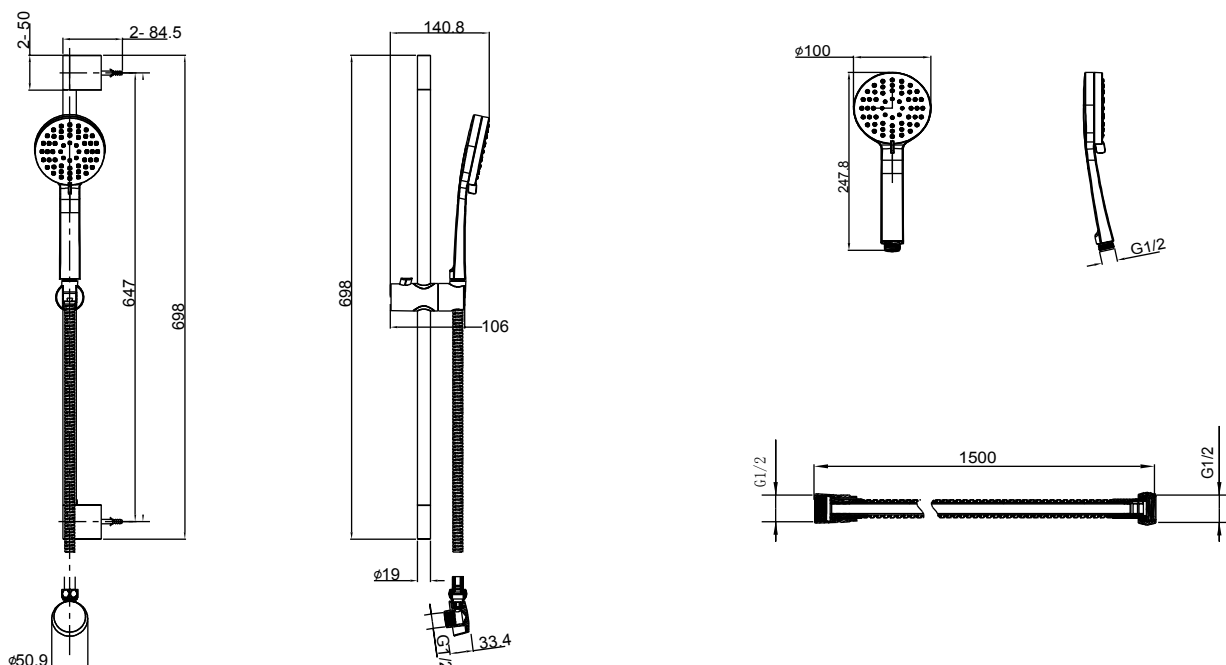
Warning

Please check for any hidden pipes or cables before drilling holes in the wall.
When using Power tools always follow the manufacturers user instructions.

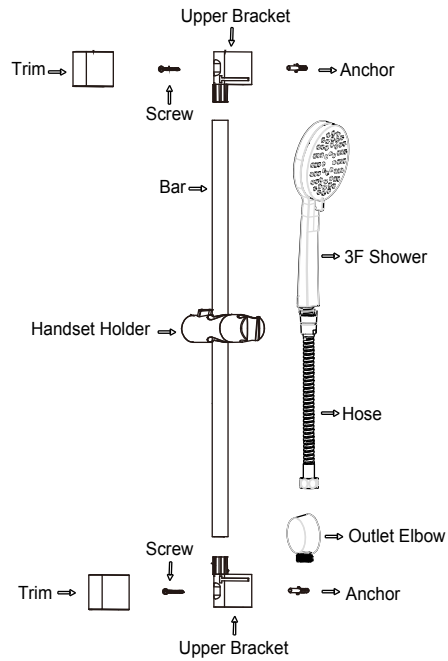
Cleaning

We do NOT recommend you use any household cleaners to clean the product. Because these cleaners change substance or formula too frequently. So product should be always cleaned only with soapy water and rinsing with clean water and drying with soft cloth.

Dimension



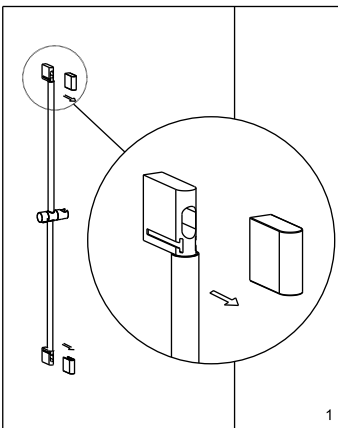
Dimension



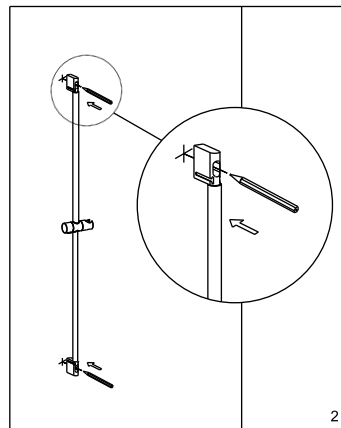
Tools Required (Not Supplied)

Drill, 6mm Masonry drill bit, Cross-head screwdriver, Spirit level, Pencil, Wrench.

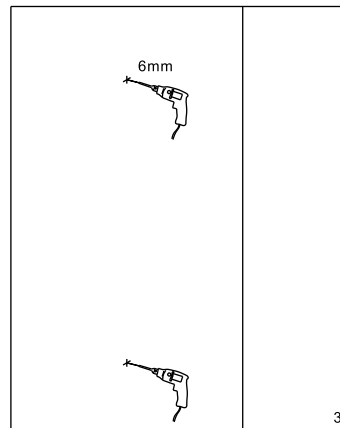
Installation



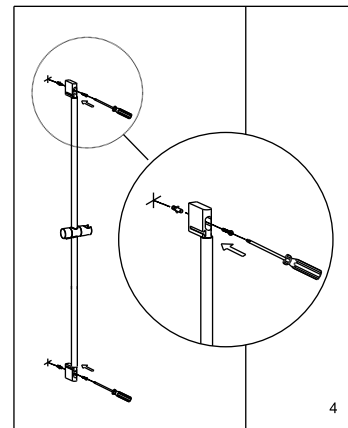
1. Loosen two trims but do not remove them. Place the bar to the wall vertically.



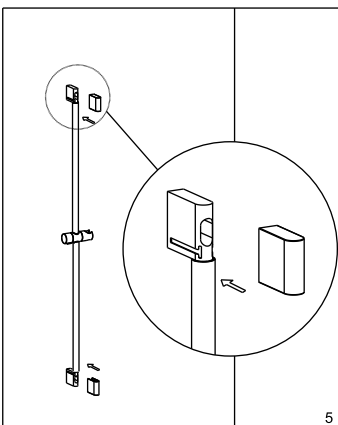
2. Mark two fitting holes .



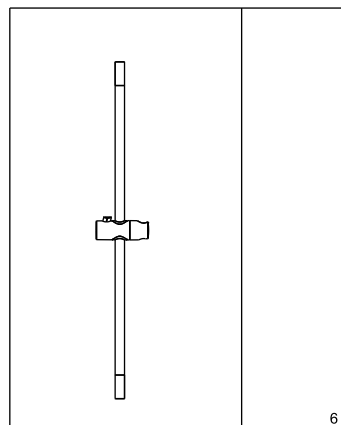
3. Drill two fitting holes by using a 6mm masonry drill bit.



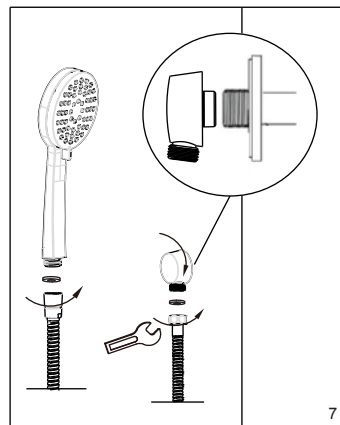
4. Fix the bar to the wall with anchors and screws.



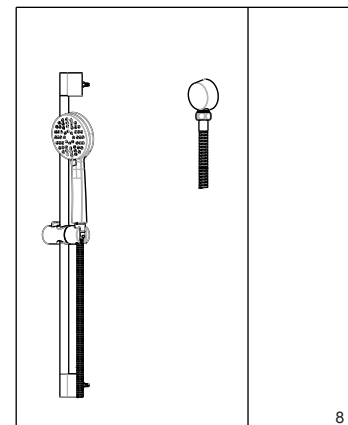
5. Assemble two trims back to brackets.



6. Complete the assembly of bar set.



7. Tighten the elbow into the outlet. Connect two ends of shower hose to the elbow and the handset.



8. Done.