

# 9096 Freestanding Bath Shower Mixer Instruction

## IMPORTANT

Please read these instructions carefully and keep in a safe place for future reference. If you are unsure of any part of the instructions in this document then we recommend that you contact a reputable qualified trades person.

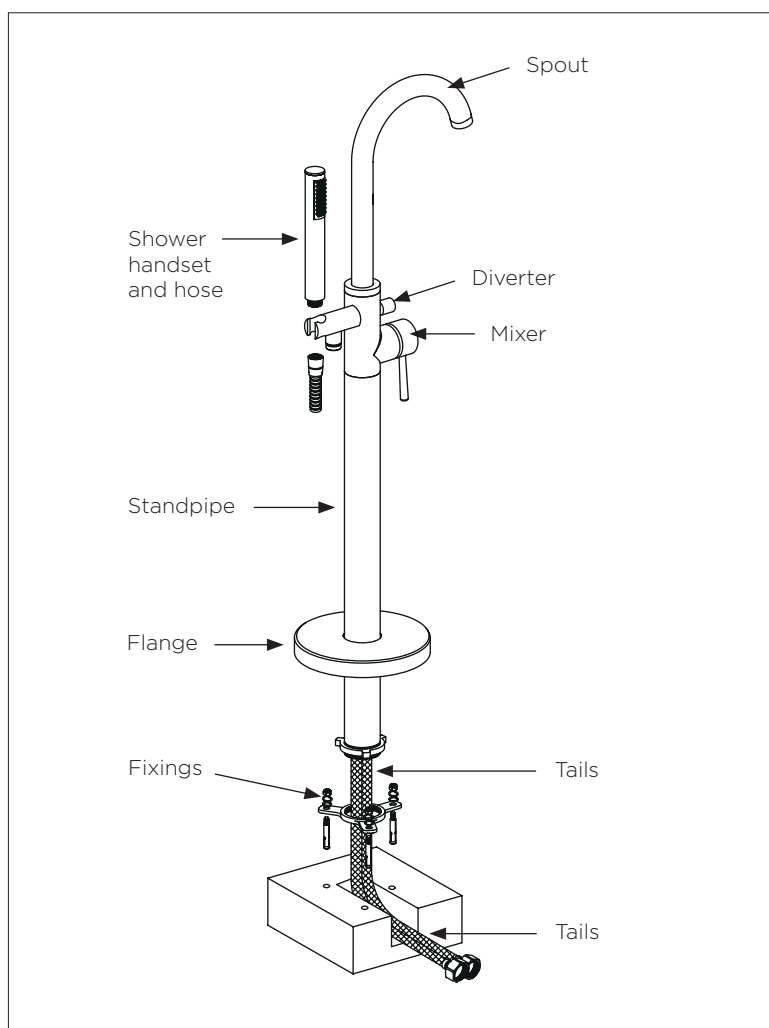
## INTRODUCTION

The Model supplied may vary from the image shown below. Please note that the general installation process for Freestanding Bath Shower Taps are the same and the following guide will take you through the process.

## INSTALLATION

Please ensure you turn off mains water supply before connecting to any existing pipe work. Before installation identify all components and inspect the product for any damage.

1. At desired location drill a hole in the floor (min diameter: 57mm, max diameter: 65mm)
2. Place flange over the standpipe and then place it to the base
3. Position flexi tails up through the standpipe and then attach the flexi tails to the mixer.  
Note: Do not reverse the hot and cold supply



4. Locate the assembly on the desired location with the flexible tails through the prepared hole and whilst holding the flange, secure the standpipe.

NOTE: If mounting into wooden floor, secure standpipe using screws only (wall plugs are not required). If mounting into solid floor, drill suitable sized holes for wall plugs first, then insert wall plugs in floor and finally secure the standpipe using screws. Where required ensure correct plugs for your floor type are used.

5. Connect the flexi tails to water supply.
6. Check all new connections. Turn on water supply and allow to run for a few minutes to flush out the piping system thoroughly. Check connections for watertightness.



BY CAVALIER BATHROOMS

# 9096 Freestanding Bath Shower Mixer Instruction

## SPOUT INSTALLATION

Place spout in top of the upright mixer, screw the collar into the top of the mixer by hand tightening only.

## HAND SHOWER INSTALLATION

Insert a washer into each end of the shower hose and then screw it into the shower and mixer.

Note: Pull out the diverter to operate the hand shower

## Guarantee

For full details of our guarantee please refer to our website. Our products are backed by a 10 year guarantee, this is only valid to customers who complete and submit the online Niagara® Guarantee Registration Form within 30 days of installation. Please note that products with finishes other than Chrome are guaranteed for 2 years only, these products must also be registered online to activate the 2 Year Guarantee. To register and activate your guarantee please visit [www.niagarabathrooms.co.uk](http://www.niagarabathrooms.co.uk)

### Aftercare

Care **MUST** be taken when cleaning our products to avoid damaging the fitting or finish. To maintain the appearance of the fitting, please ensure it is cleaned regularly using only a clean soft damp cloth. Whilst all of our products are durable the finishes are vulnerable to some strong substances, we only recommend the use of warm soapy water, **DO NOT** use abrasive sponges, strong household cleaners, scouring agents, organic solvents or acidic cleaners as they may cause surface deterioration, peeling or change of colour.