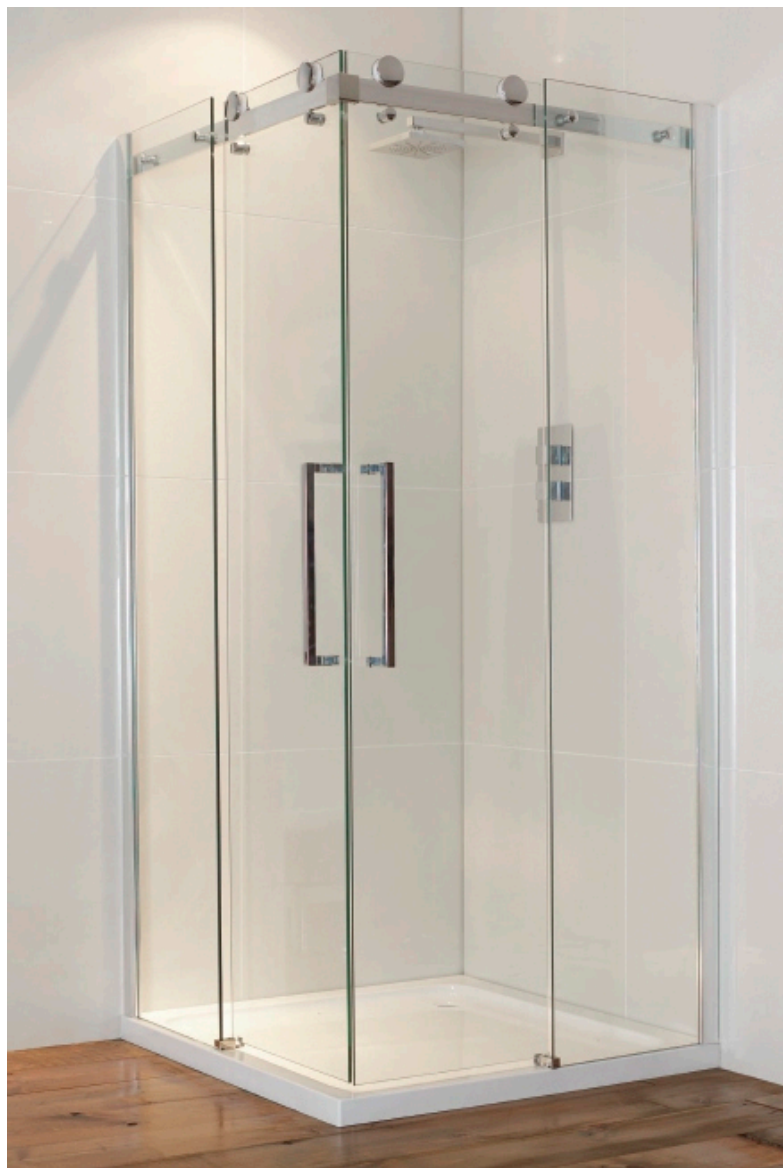


AQUAGLASS+ FRAMELESS CORNER ENTRY Installation Instructions



FRONTLINE[®]
the complete bathroom

900x900x1900mm

- Please read these instructions in full before installing












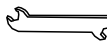
IMPORTANT

- Check that the tray has been installed to the manufacturer's instructions. Please note - All product is supplied without a tray.
- Opening wall adjustments
900x900mm Corner Entry - adjustment = (875 - 900)x(875 - 900)mm

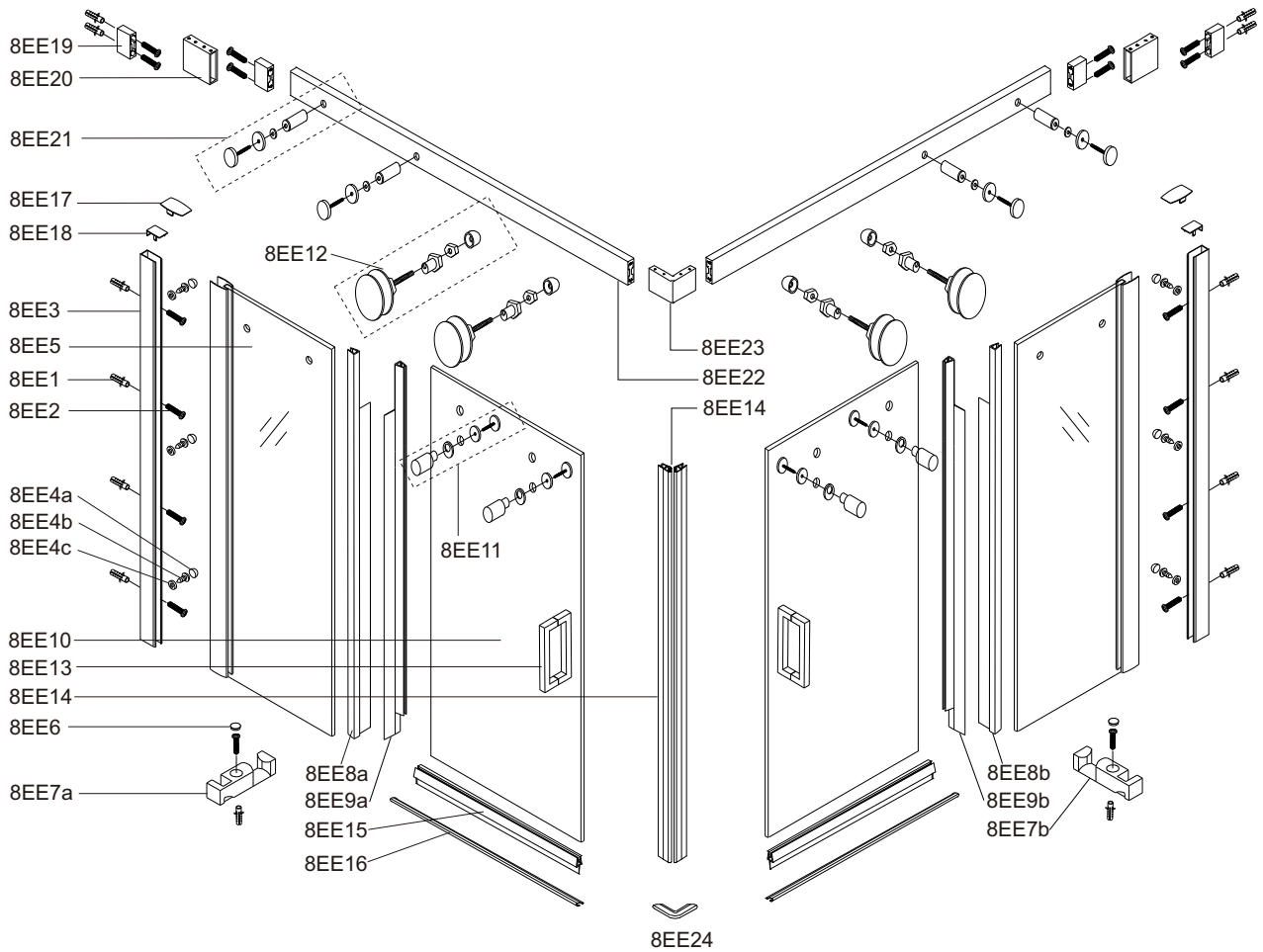
GENERAL SAFETY INSTRUCTIONS

- Do not fix the wall profile to newly plastered, painted or papered walls as chemical reaction may cause discolouration to the surface finish.
- Important: The wall plugs included in this pack are for solid walls only. If the product is to be mounted on a partition or stud wall, specialised fixings should be purchased separately.
- Fixing tips; A piece of insulating tape or a couple of layers of masking tape applied to the wall before marking out the fixing holes will help stop the drill from wandering, particularly on tiled surfaces.
- When working near a basin or bath insert the plug into the waste, this will help you avoid losing small parts. Also take care not to drop accessories or tools onto the bath or basin, use a towel or bathmat to protect delicate surfaces.
- CAUTION!
Before drilling into any walls check that there are no hidden cables or pipes. Exercise great care when using power tools near water. The use of a residual current device (RCD) or cordless drill is recommended. Always double check the positioning and measurements before drilling holes.
- This product is heavy and requires two people during lifting and operations.
- Glass is delicate, support on cardboard to minimise risk of damage.

Tools required (not supplied)

Electric drill		tape measure	
drill(Ø3.2mm)		rubber hammer	
drill(Ø6mm)		knife	
cross tip screw driver		pencil	
spirit level		silicone sealant	
wrench		spanner	

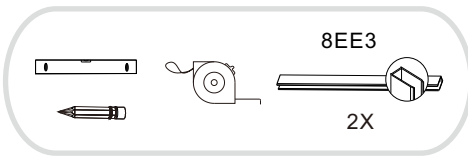
IDENTIFICATION OF PARTS



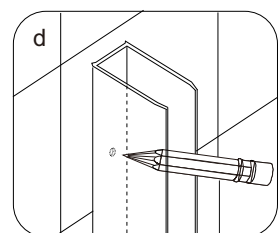
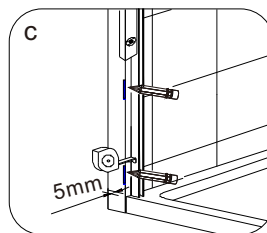
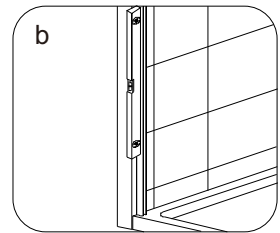
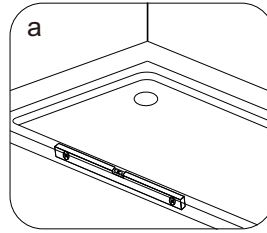
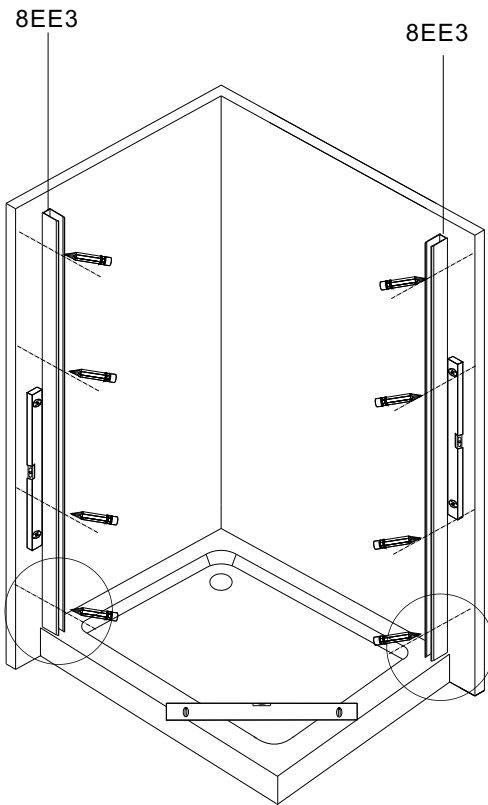
Fixings & fittings supplied

Item No.:	Part	Quantity	Item No.:	Part	Quantity
8EE5		x 2	8EE15		x 2
8EE10		x 2	8EE16		x 1
8EE1		x 14	8EE17		x 2
8EE2		x 18	8EE18		x 2
8EE3		x 2	8EE19		x 4
8EE4		x 6	8EE20		x 2
8EE6		x 2	8EE21		x 4
8EE7		x 1	8EE22		x 2
8EE8		x 2	8EE23		x 1
8EE9		x 2	8EE24		x 1
8EE11		x 4	8EE25		x 1
8EE12		x 4	8EE26		x 2
8EE13		x 4	8EE27		x 1
8EE14		x 1			

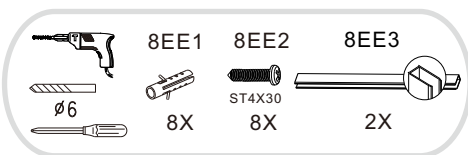
1.



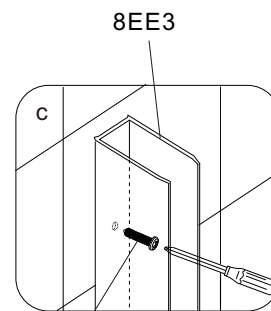
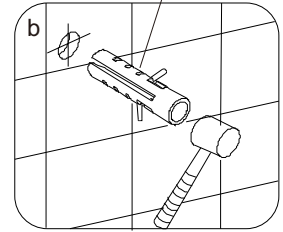
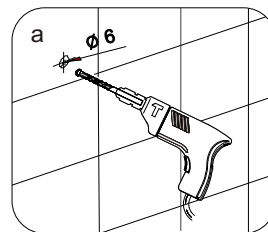
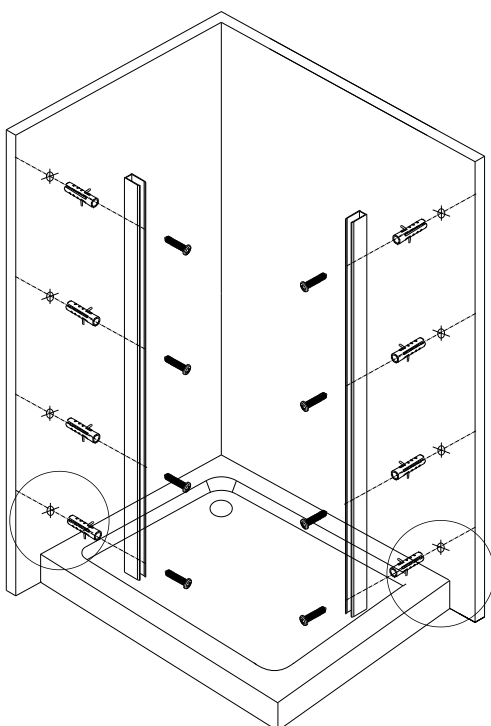
- Take a spirit level to make sure the tray is placed horizontally.
- Put the wall profiles(8EE3) against the wall and make sure the profiles to be 5mm away from the outside edge. Adjust the profiles to ensure they are vertical by using a spirit level.
- Mark the holes on the wall.



2.

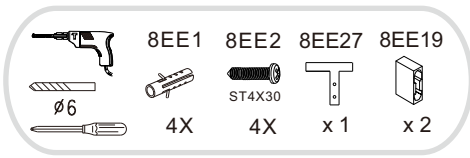


- Drill the holes($\text{\O}6\text{mm}$) according to the marks and insert the wall plugs(8EE1) into the holes.
- Fix the wall profiles(8EE3) on the wall with screws(8EE2).

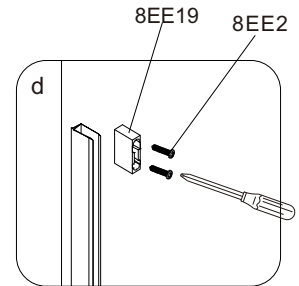
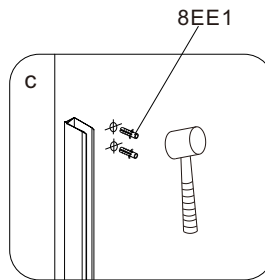
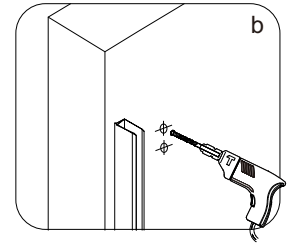
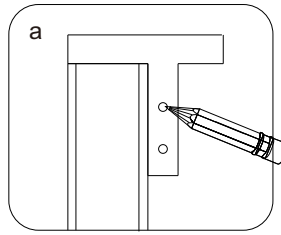
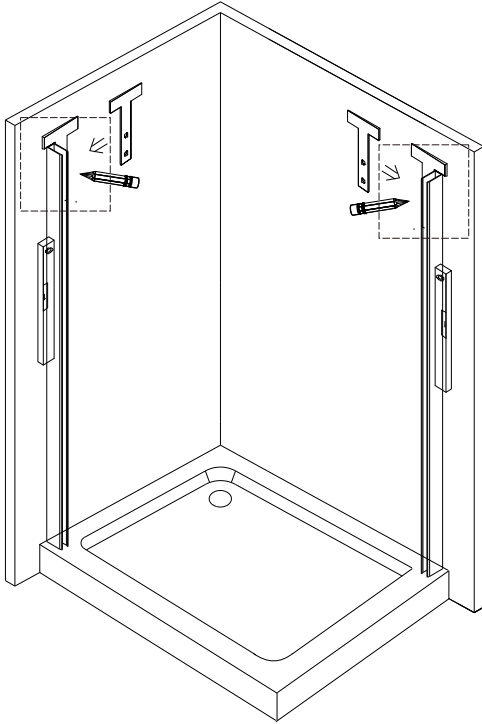


8EE2

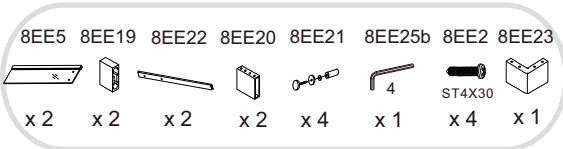
3.



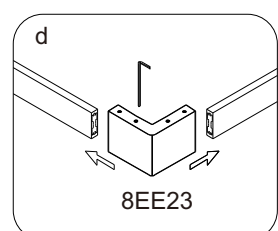
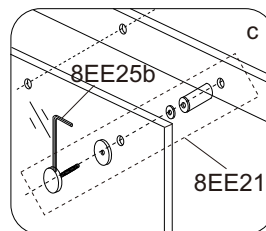
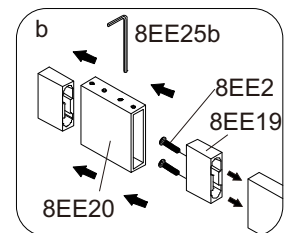
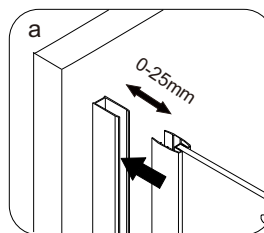
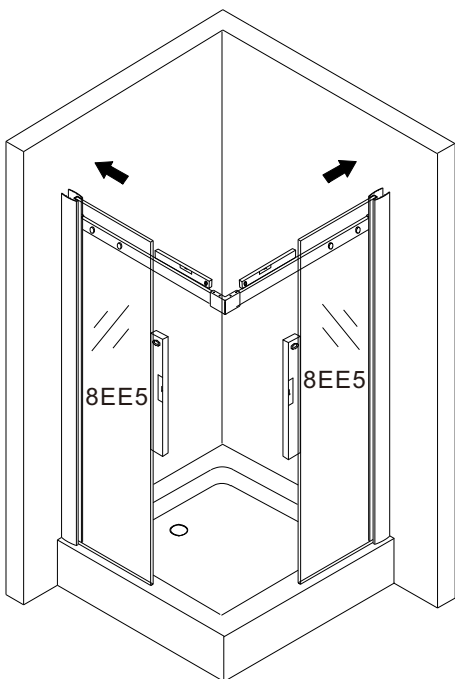
- Put T templet(8EE27) next to the wall profiles on the corner and make sure T templet is right against wall profile on the corner. Mark the holes on the wall accordingly.
- Drill the holes(Ø6mm) according to the marks and insert the wall plugs(8EE1) into the holes.
- Fix the wall seats(8EE19) on the wall with screws(8EE2).



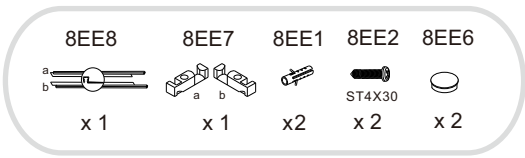
4.



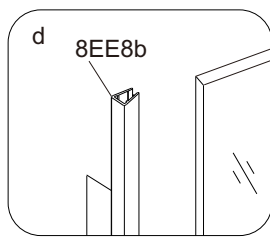
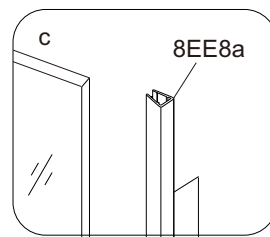
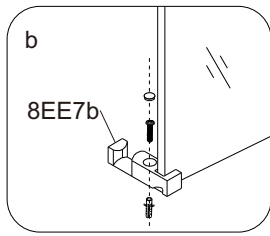
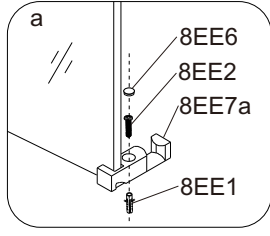
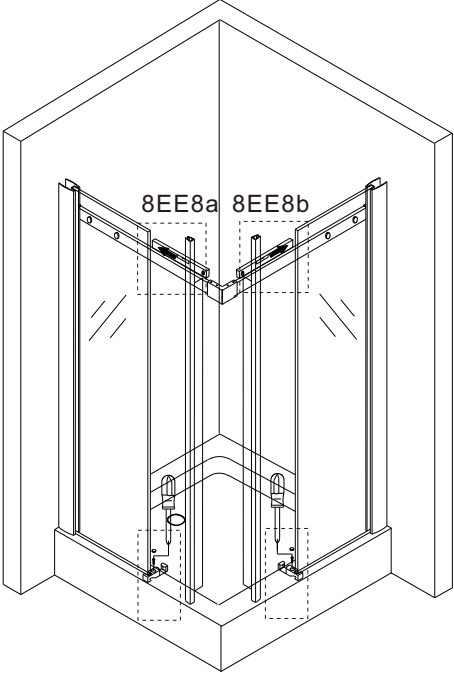
- Insert the fixed glass panels(8EE5) into the wall profiles.
- There is 25mm of adjustment on each profile, allowing for the positioning of the frame. Adjust the position of vertical profiles and wall profiles to suitable position.
- Fix the wall seats(8EE19) on the end of rail profiles(8EE22) with screws(8EE2). Connect rail profile with wall seats with wall brackets(8EE20) by fasten inner screws.
- Join the two rail profiles by connection part(8EE23).



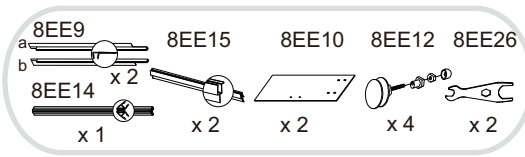
5.



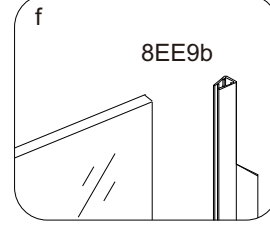
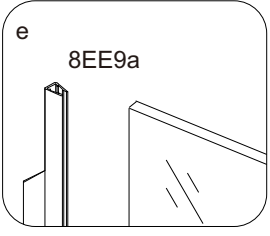
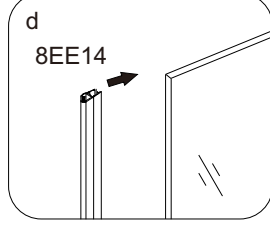
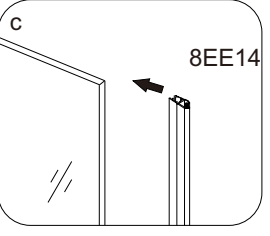
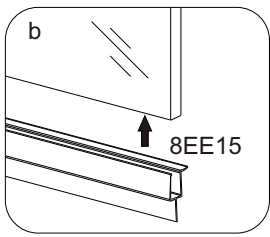
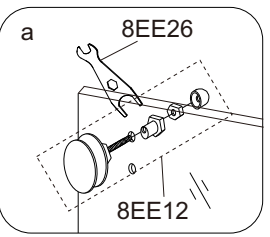
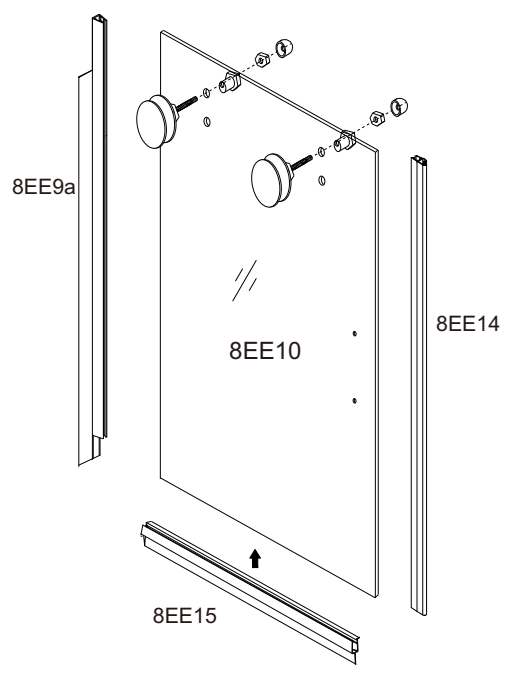
- Put the bottom brackets(8EE7) on the bottom of the the fixed panels and mark the holes for the brackets. Drill the holes (Ø 6 mm) according to the marks and insert the wall plugs (8EE1) into the holes. Fix the brackets(8EE7) with screws (8EE2) on the tray. Put the covers(8EE6) on the screws.
- Attach the vertical sealers(8EE8) onto the fixing panels.



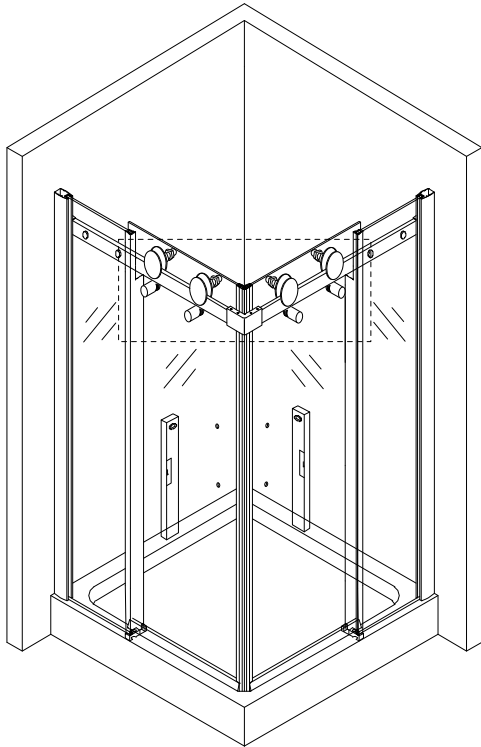
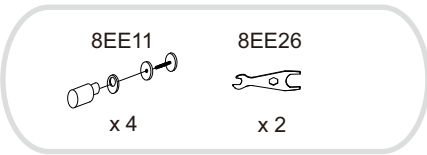
6.



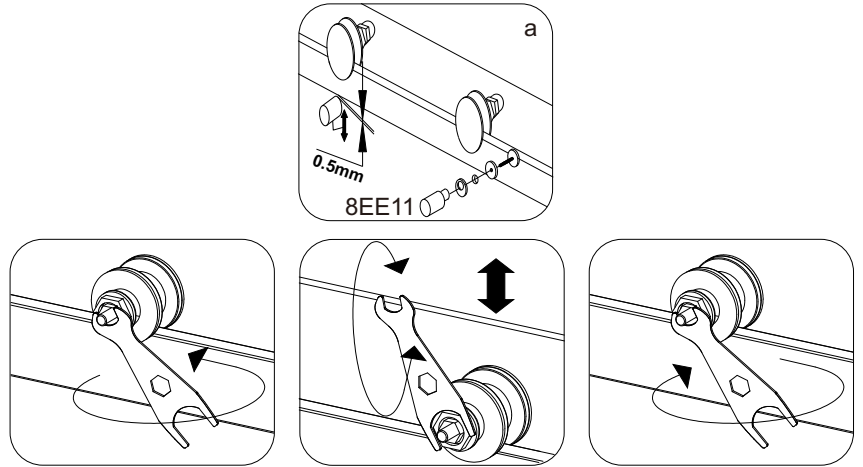
- Assemble rollers(8EE12) on the door panels(8EE10) with tool(8EE26).
- Attach bottom seals(8EE15) on the bottom of the doors.
- Attach magnetic seals(8EE14) on the handle side of doors.
- Attach vertical anti-water seals(8EE9) on the other side of the doors.



7.



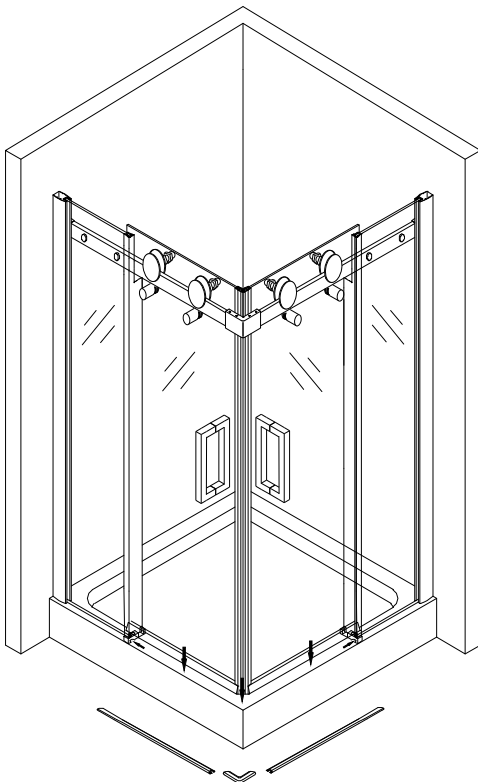
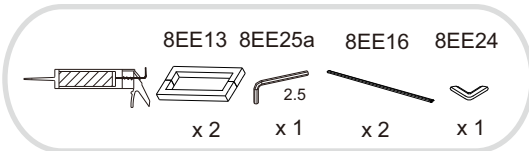
- Put the door panels onto the rail profiles.
- Assemble the fixing parts (8EE11) on the door panels below the rail profiles. 8EE11 is eccentric, please adjust the distance between rail profile and 8EE11 to be 0.5mm.
- Adjust the top rollers to make sure the door panels is vertical and the magnetic seals can be well absorbed.
- The roller's washer is eccentric. Please adjust the eccentric washer to right position and fasten the nut.



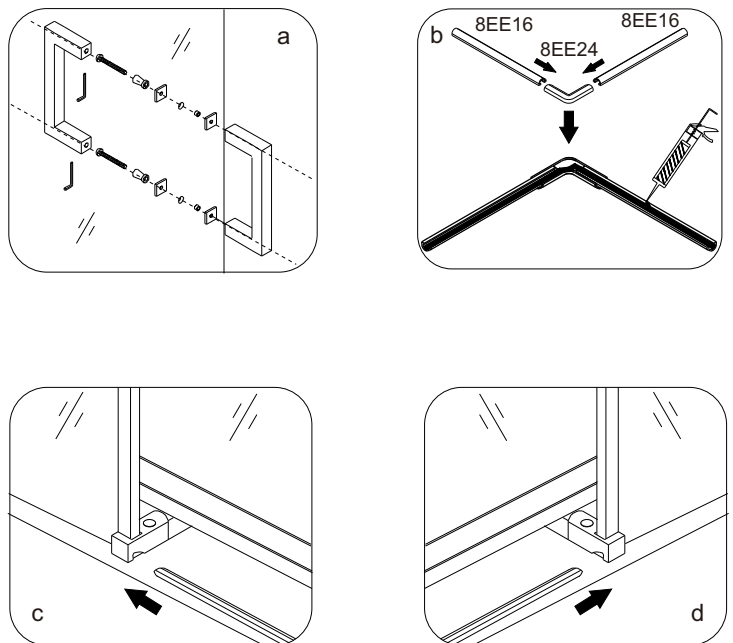
Roller adjustment:

- screw off the small hex screw by wrench 8EE26.
- screw the eccentric washer clockwise to make the door rise or screw the eccentric washer anticlockwise to make the door go down by using the other end of the wrench. Pay attention on the door's movement, stop screwing once the door reach to the right position.
- screw up the small hex screw to get the roller locked.

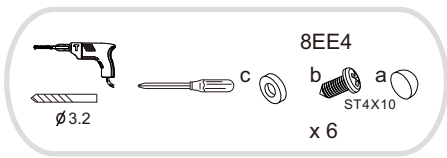
8.



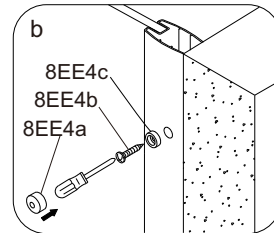
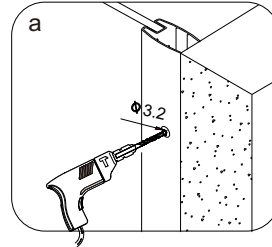
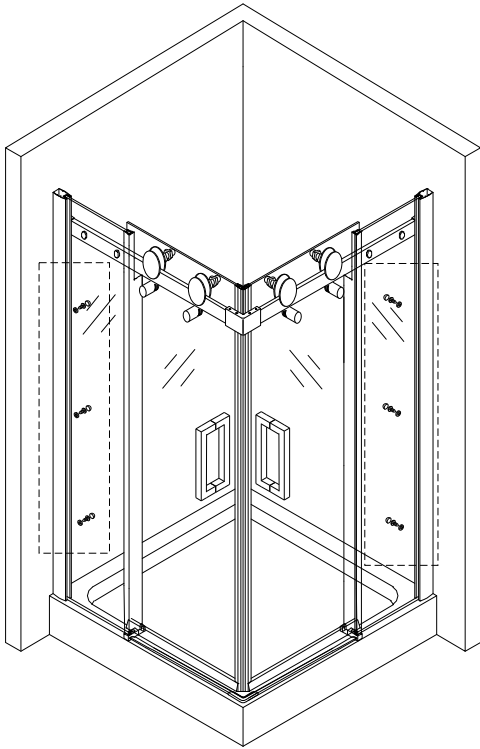
- Mount handles(8EE13) on the sliding doors with hex key (8EE25a).
- Connect the bottom aluminum strips(8EE16) and joint part (8EE24) together.
- Apply silicone glue on the back of the aluminium strips.
- Insert the aluminium strips into bottom brackets(8EE7).



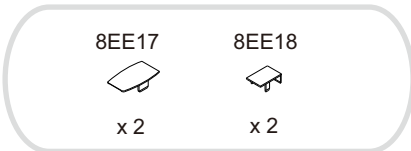
9.



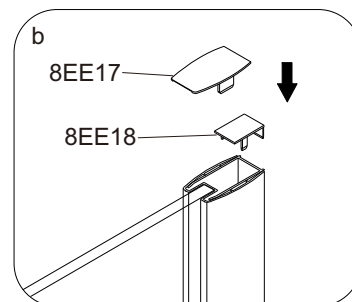
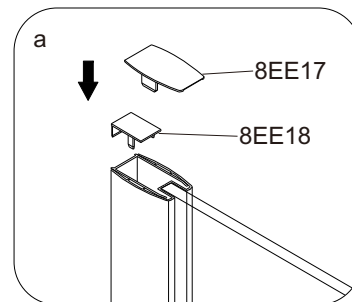
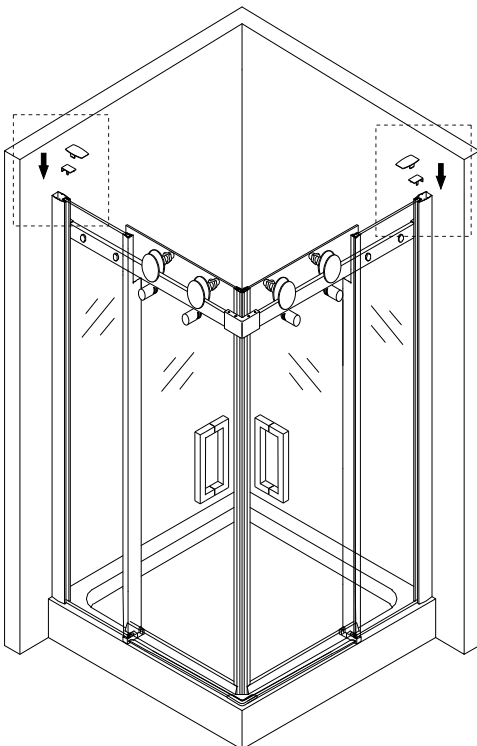
- Drill the holes ($\varnothing 3.2$ mm) on vertical profiles into wall profiles.
- Use rubber washers(8EE4c) and screws(8EE4b) to fix them in place. Cover the screws with caps(8EE4a).



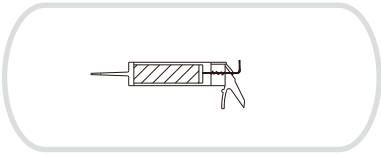
10.



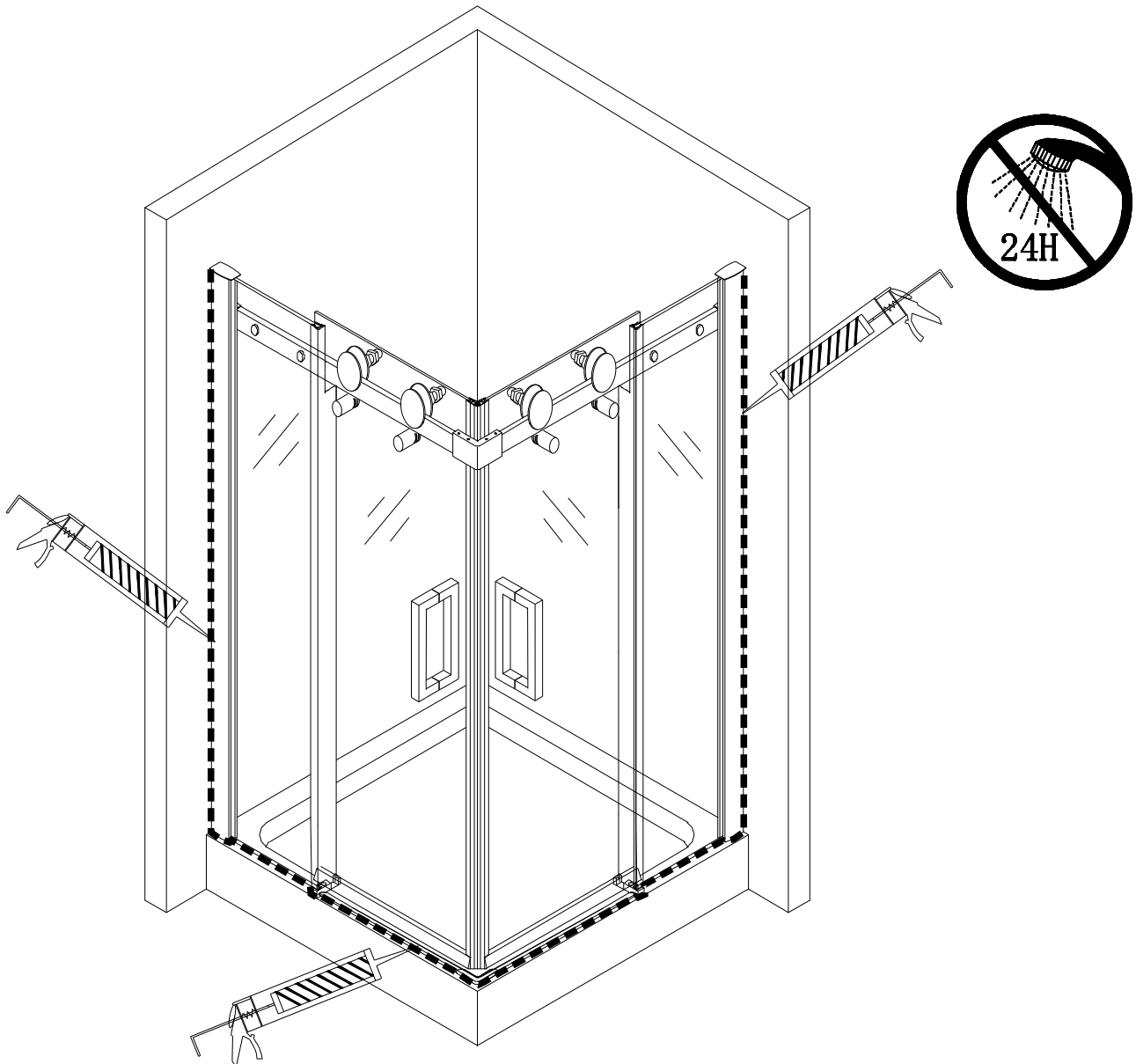
- Put top caps(8EE18) on the vertical profiles and top caps (8EE17) on the wall profiles.



11.



- Finally, at all points connected to the wall, shower tray/floor and the profiles, use silicone sealant only on the outside of the shower enclosure. Please do not use showering within 24 hours after silicon sealant.



Cleaning and Maintenance:

Please do not use abrasive or strong cleaning solution on the shower enclosure, such as alcohol, petroleum liquids or any other chemical cleaner with acidic contents. Should there be any dirty stains on the shower enclosure, please clean it with a soft lint free cloth and warm soapy water. Please rinse it with clean water afterwards.

After the installation is complete, if there is any noise during glass door movement, please add a small quantity of lubricant onto the roller wheel, bottom guide and track where applicable.

After installation is complete and you are still encountering problems with your enclosure, our sales technicians will be happy to assist.

For information and support phone: 0845 470 2427