

TONIQUE

TONIQUE FULLY BACK TO WALL WC Pan and WC seat

RAK
CERAMICS

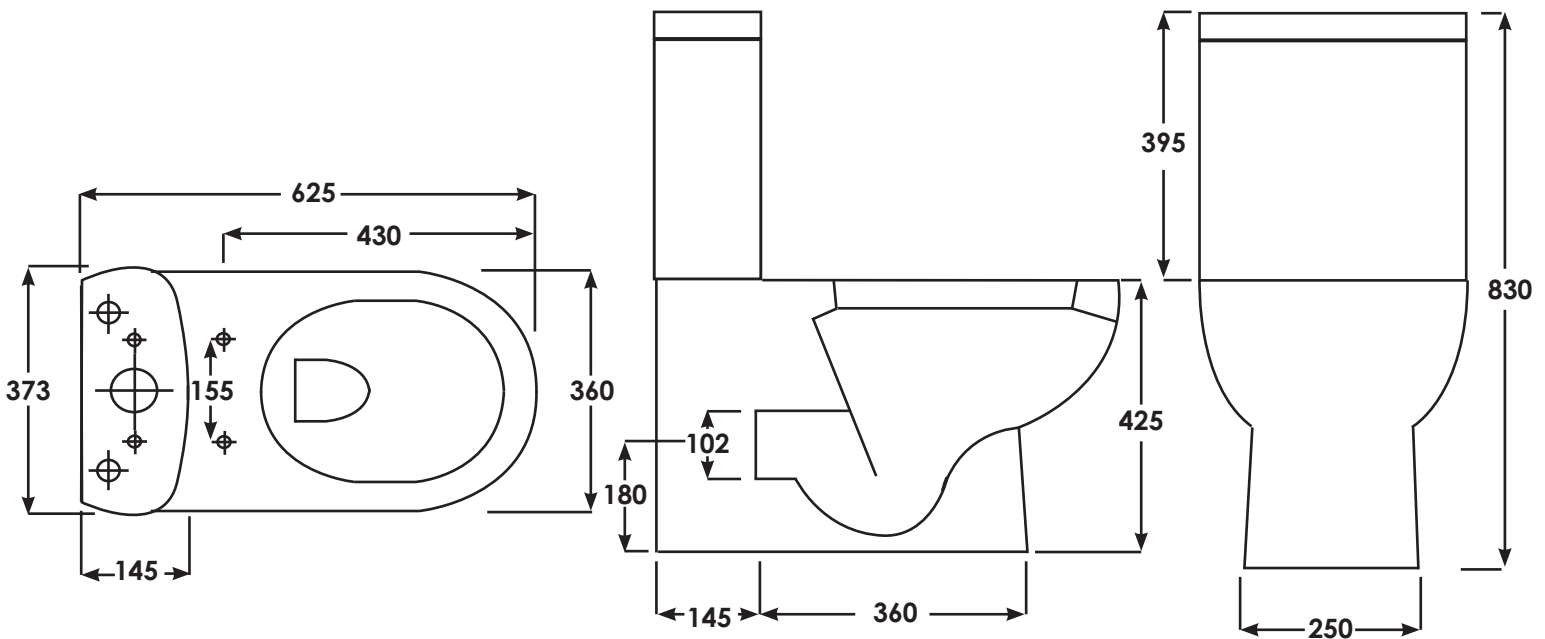


SPECIFICATION/CODE REFERENCE

Please use the reference codes shown below:

TONBTWPAK RAKSEAT002

SIZE	625 x 360 x 830 mm
TRAP	P Trap
SEAT	Soft Close with quick release hinges
CISTERN	Dual Flush 3/6 litres
APPROVALS	WRAS
MATERIAL	Vitreous china
WEIGHT	48 kg
COLOURS	White
FIXING	Pan fittings supplied
WARRANTY	25 Years on Ceramics and 2 Years on WC Seat



Dimensions: All measurements are in millimeters and are subject to normal manufacturing variations.

Note: Due to a continuing development programme to improve design and performance, the manufacturer reserves all rights to vary specifications without prior informations. Please note accessories are for photographic use only.

Tel: 01730 237850 Fax: 01730 263210. RAK Ceramics, Bradford House, Frenchmans Road, Petersfield, Hampshire GU32 3AW

Contact us at: info.uk@rakceramics.com / Visit us at: www.rakceramics.com 2017