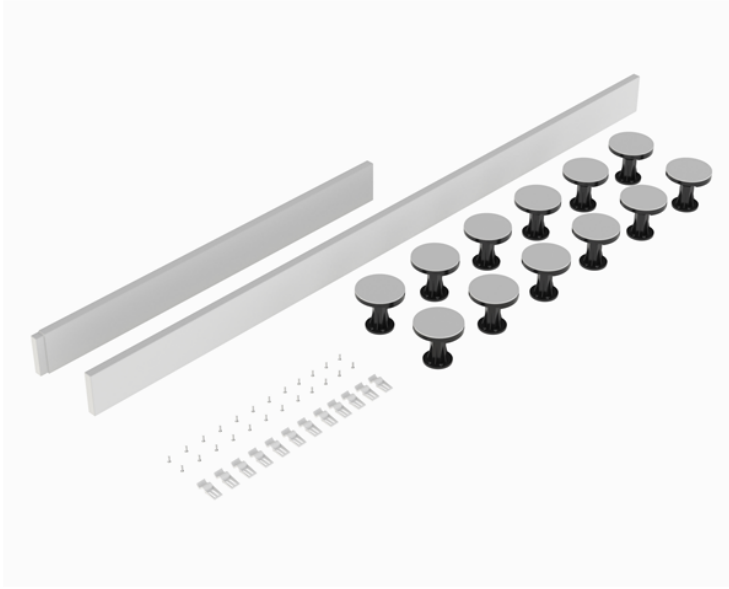


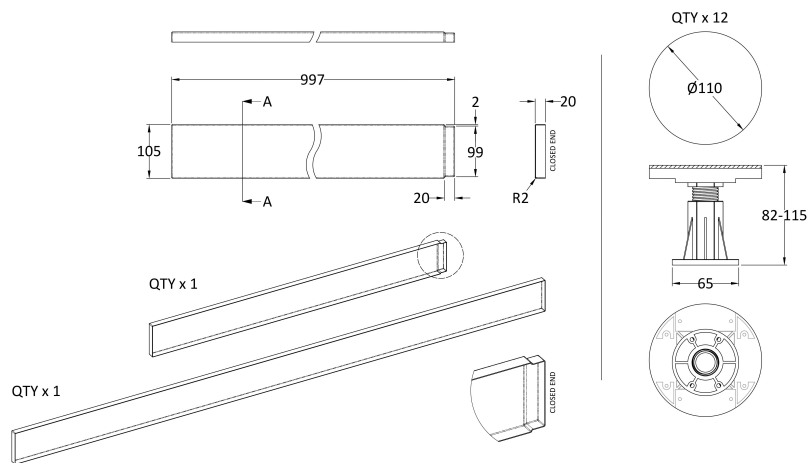
Sales Code: LEG4W

Description: Suitable For 1300-1800 Rec & Walk Trays



Packaging Details

Barcode: 5056211868798



Sales Code: NTP565**Description:** 1800 Tray Panel**Product Dimensions**

Length (mm):	1700
Width (mm):	105
Height (mm):	12
Nett Weight (kg):	1

Packaging Dimensions

Length (mm):	1710
Width (mm):	110
Height (mm):	15
Gross Weight (kg):	1

Packaging Data

Box Colour:	Polybagged
Box Qty:	1
Label Size:	100 x 50
Label Colour:	White Label
Label Qty:	2

Outer Box Dimensions (If Applicable)

Length (mm):	
Width (mm):	
Height (mm):	
Gross Weight (kg):	
Barcode:	5055369007967

Product Details

Country of Origin:	Turkey
Fitting Instruction:	No
CE Certification:	
Colour/Finish:	White
Product Material:	Acrylic Capped ABS
Material Colour Reference:	European White
Radius:	0
Waste Required (mm):	
Compatible with Leg Kit:	Not Applicable

Sales Code: NTP515

Description: 1000 Tray Panel



Product Dimensions

Length (mm):	1000
Width (mm):	105
Height (mm):	12
Nett Weight (kg):	0.32

Packaging Dimensions

Length (mm):	1010
Width (mm):	110
Height (mm):	15
Gross Weight (kg):	0.32

Packaging Data

Box Colour:	Polybagged
Box Qty:	1
Label Size:	100 x 50
Label Colour:	White Label
Label Qty:	2

Outer Box Dimensions (If Applicable)

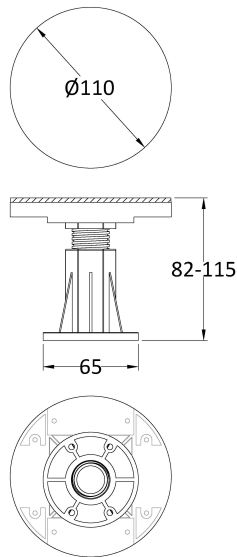
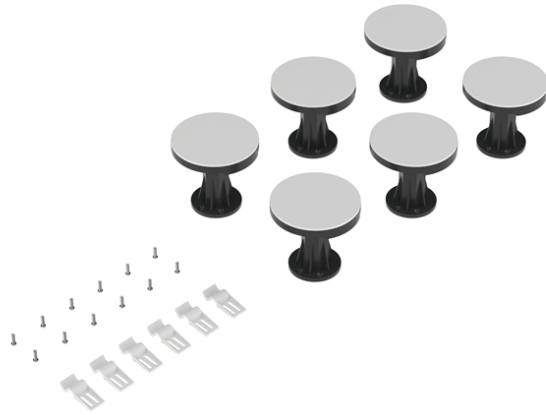
Length (mm):	
Width (mm):	
Height (mm):	
Gross Weight (kg):	
Barcode:	5055369007950

Product Details

Country of Origin:	Turkey
Fitting Instruction:	No
CE Certification:	
Colour/Finish:	White
Product Material:	Acrylic Capped ABS
Material Colour Reference:	European White
Radius:	0
Waste Required (mm):	
Compatible with Leg Kit:	Not Applicable

Sales Code: NTP001A

Description: Pack Of 6 Legs/Clips & Screws



Product Dimensions

Length (mm):	110
Width (mm):	110
Height (mm):	115
Nett Weight (kg):	0.83

Packaging Dimensions

Length (mm):	180
Width (mm):	120
Height (mm):	125
Gross Weight (kg):	0.83

Packaging Data

Box Colour:	Polybagged
Box Qty:	1
Label Size:	100 x 50
Label Colour:	White Label
Label Qty:	2

Outer Box Dimensions (If Applicable)

Length (mm):	
Width (mm):	
Height (mm):	
Gross Weight (kg):	
Barcode:	5056211855415

Product Details

Country of Origin:	China
Fitting Instruction:	No
CE Certification:	
Colour/Finish:	White
Product Material:	ABS
Material Colour Reference:	Not Applicable
Radius:	0
Waste Required (mm):	
Compatible with Leg Kit:	Not Applicable