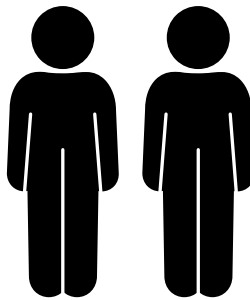
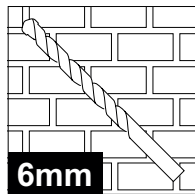
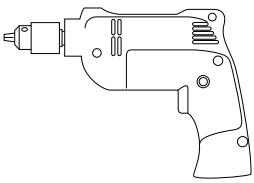
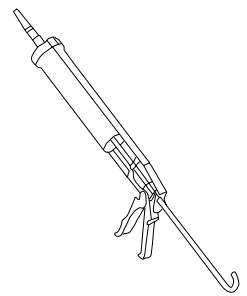
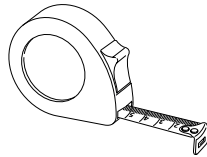
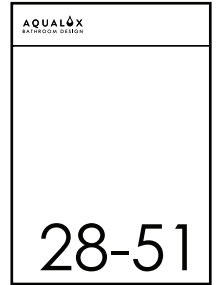
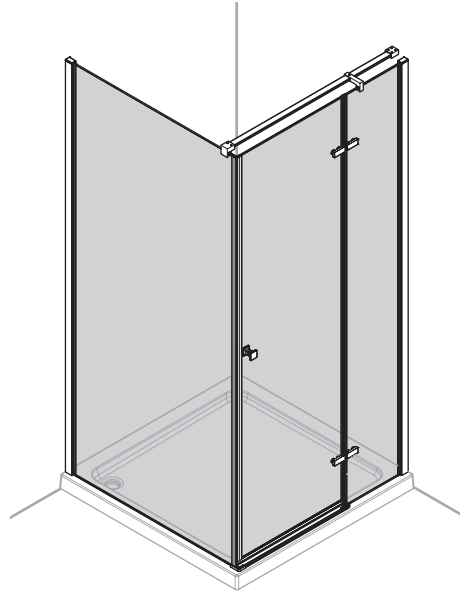
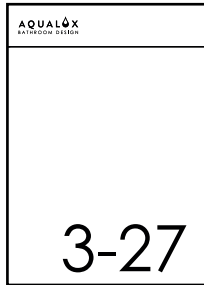
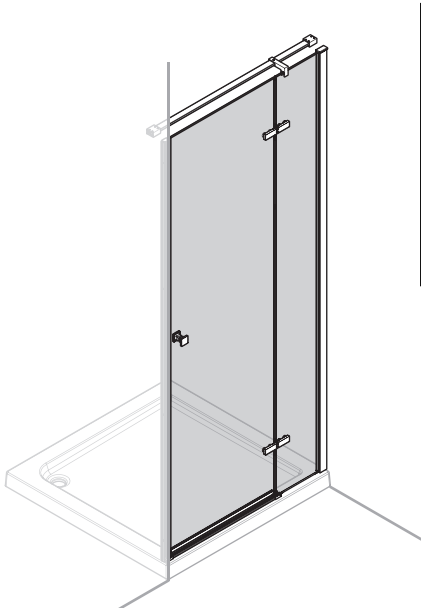
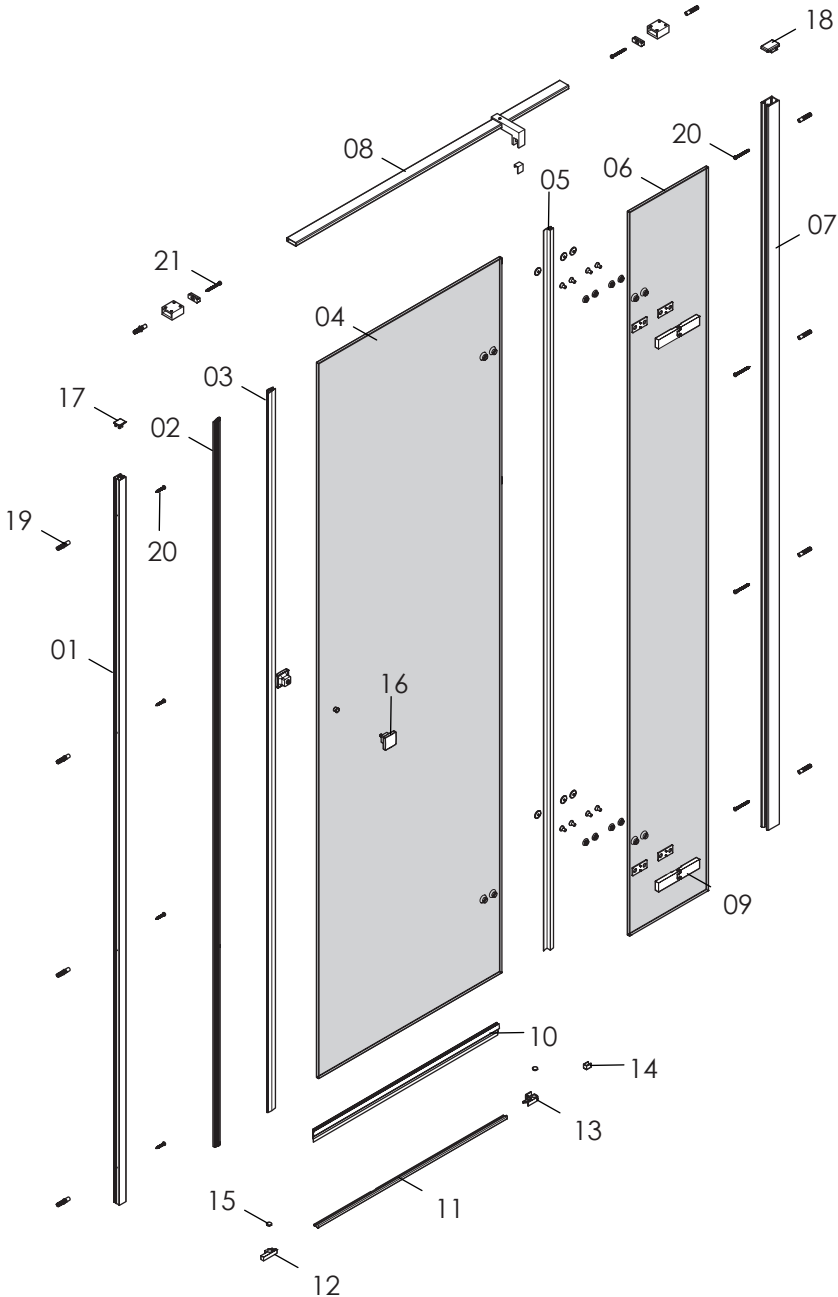


IN00528 ISS 02







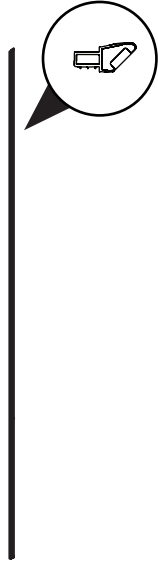
AQUALOX

BATHROOM DESIGN

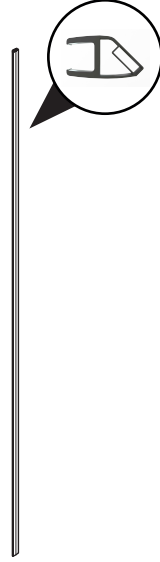
[01] x1



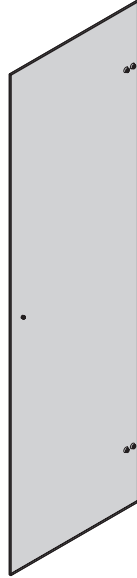
[02] x1



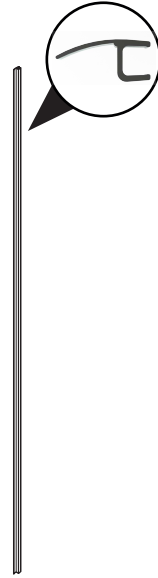
[03] x1



[04] x1



[05] x1



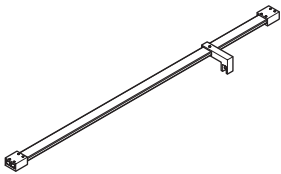
[06] x1



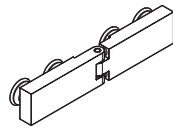
[07] x1



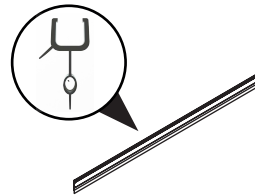
[08] x1



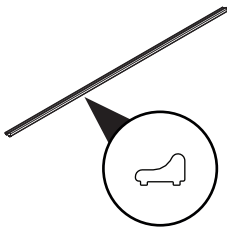
[09] x2



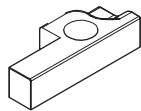
[10] x1



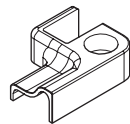
[11] x1



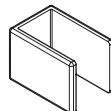
[12] x1



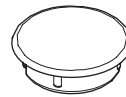
[13] x1



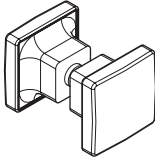
[14] x1



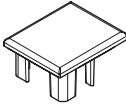
[15] x2



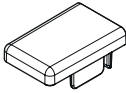
[16] x1



[17] x1



[18] x1



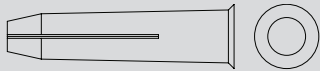
[23] x1



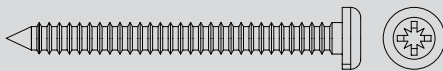
[24] x2



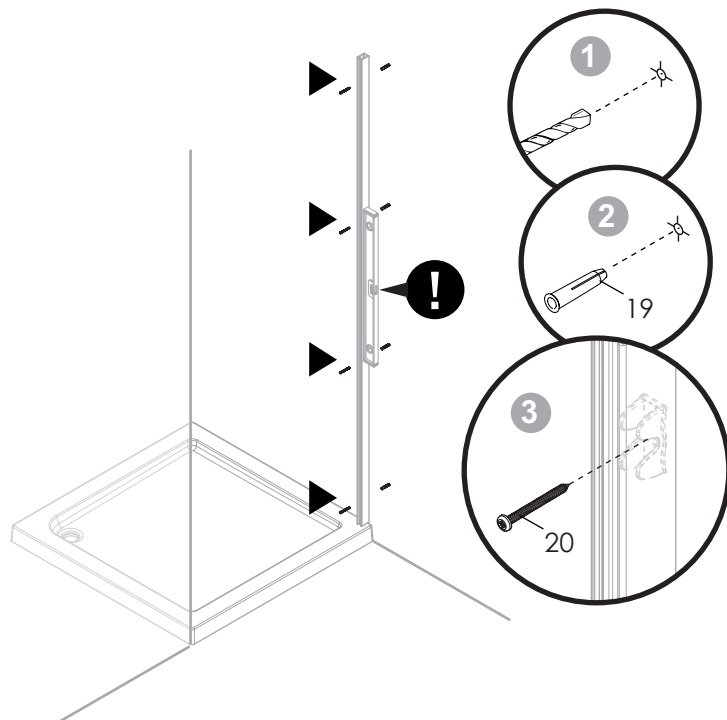
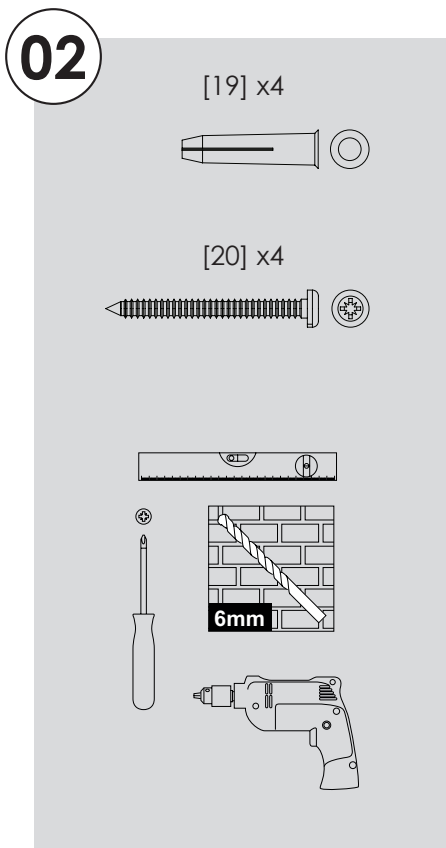
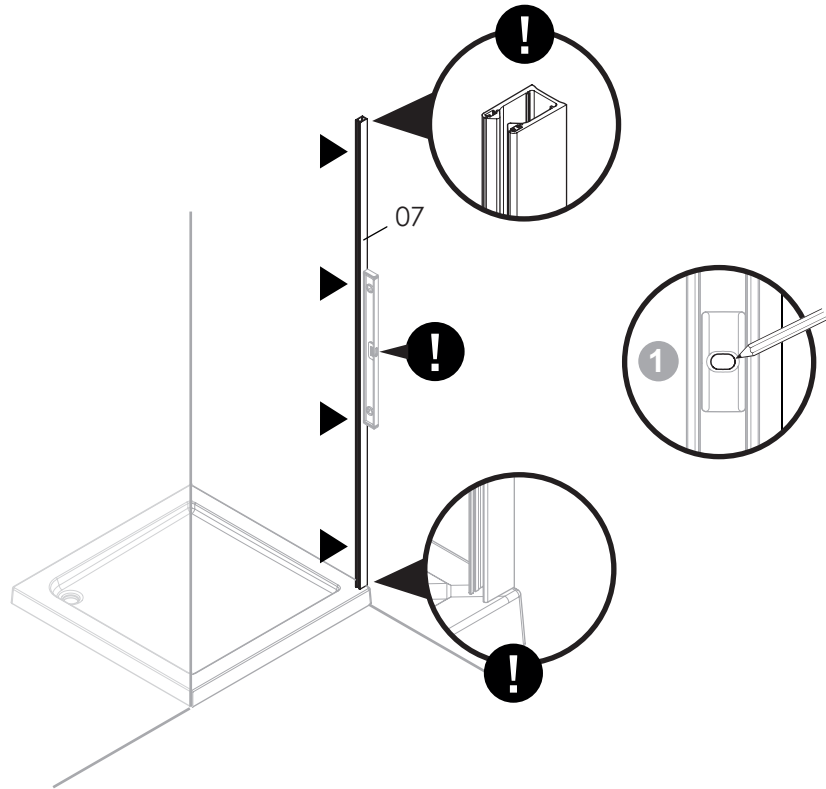
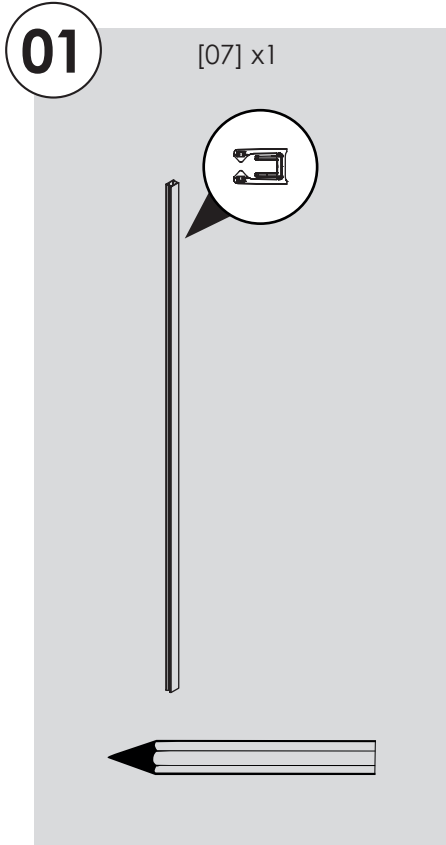
[19] x10



[20] x10



1 : 1

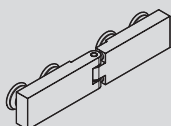


03

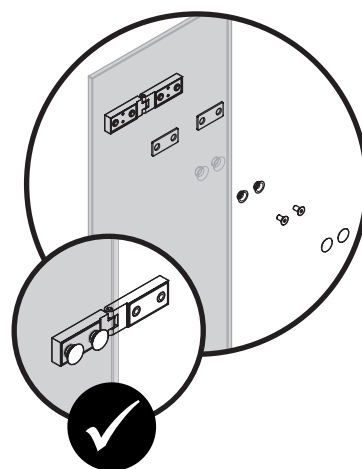
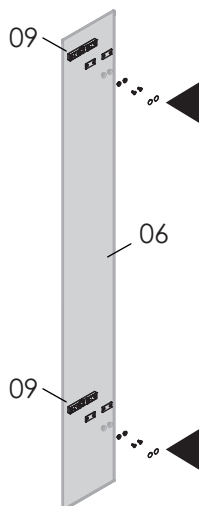
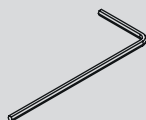
[06] x1



[09] x2

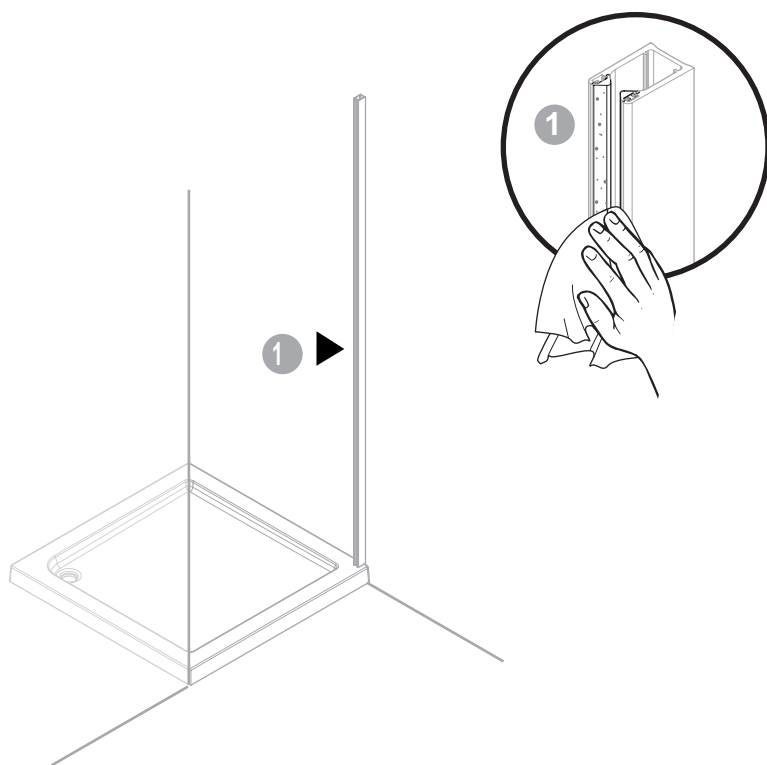


[23] x1

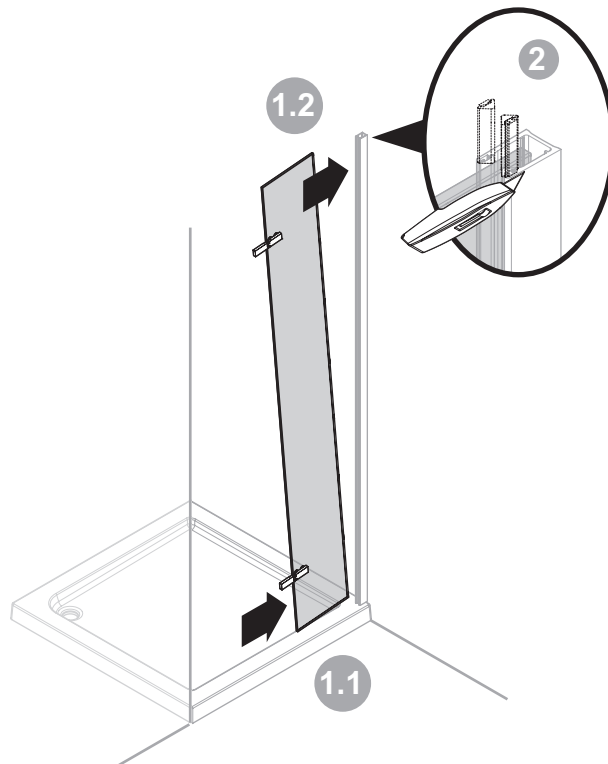


04

[24] x1



05



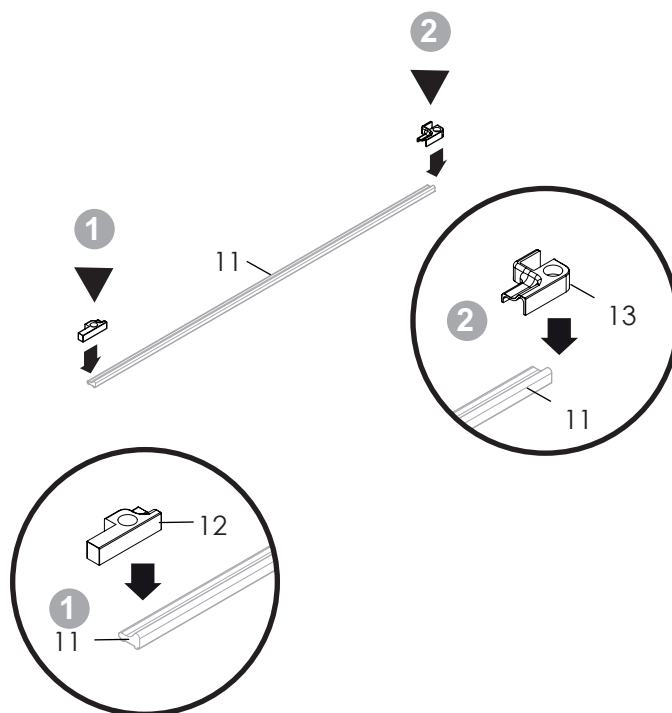
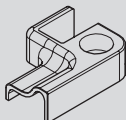
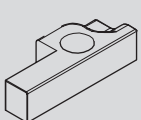
06

[11] x1



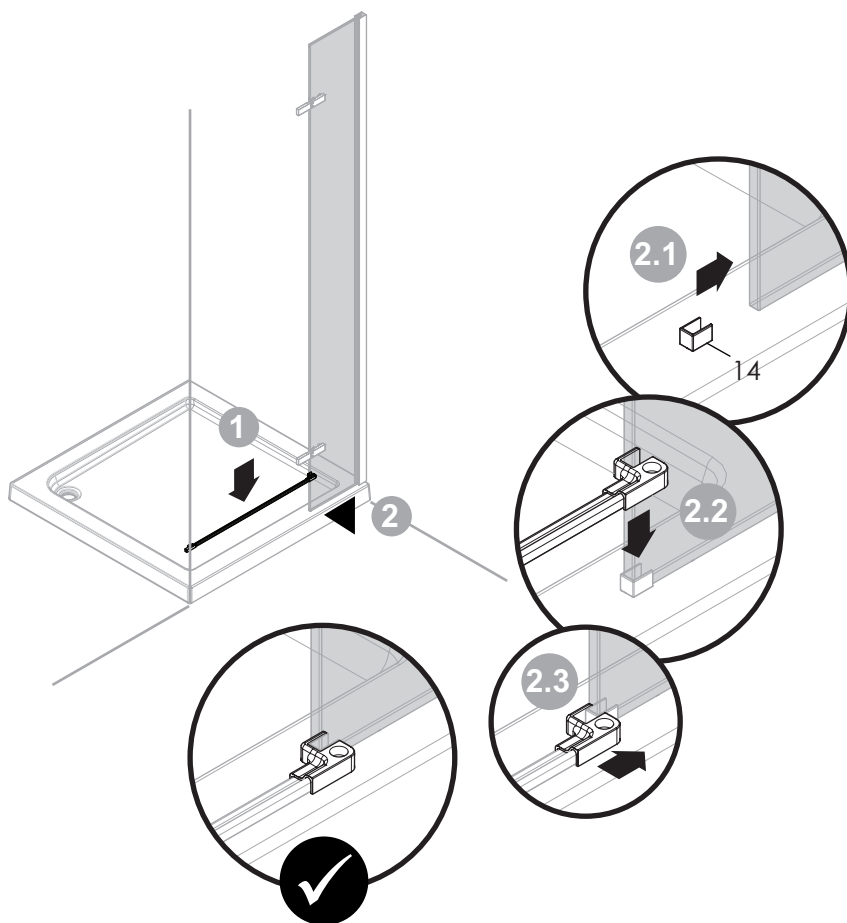
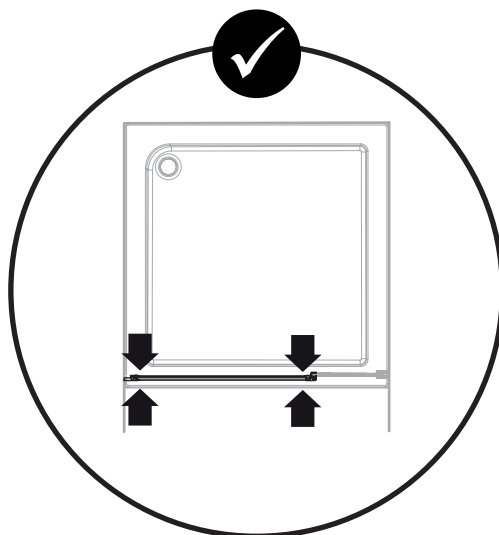
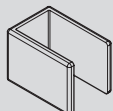
[12] x1

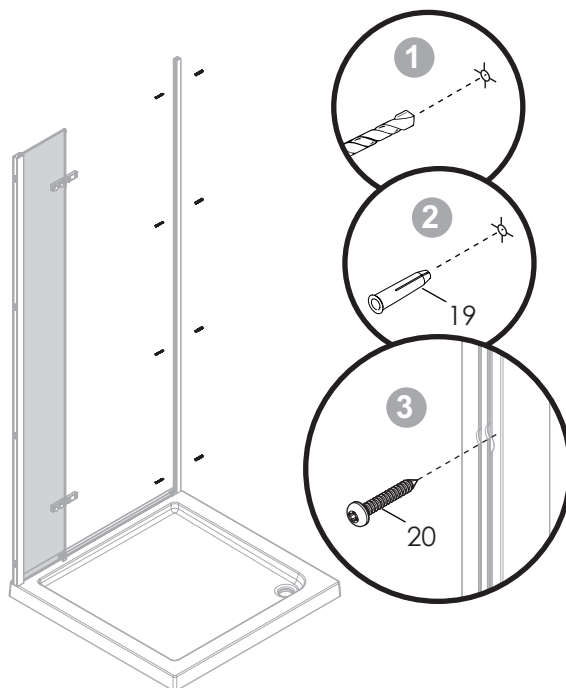
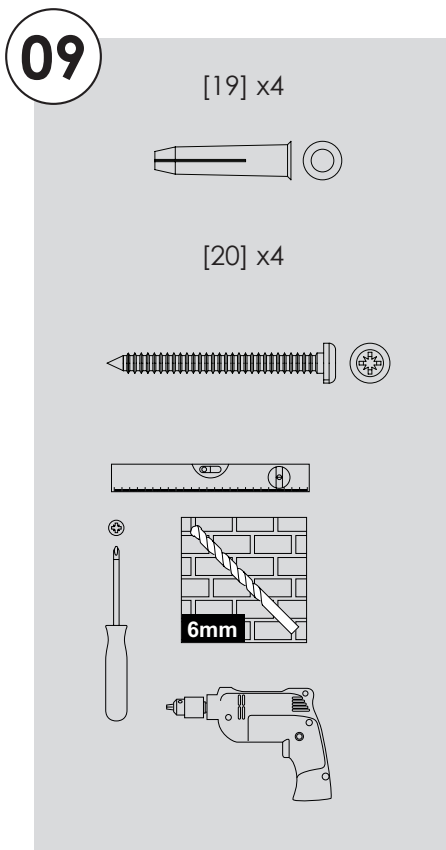
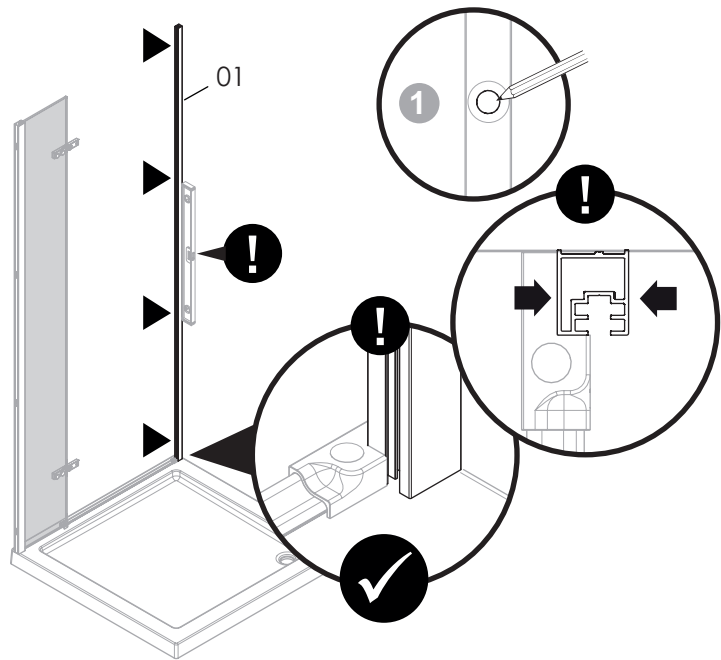
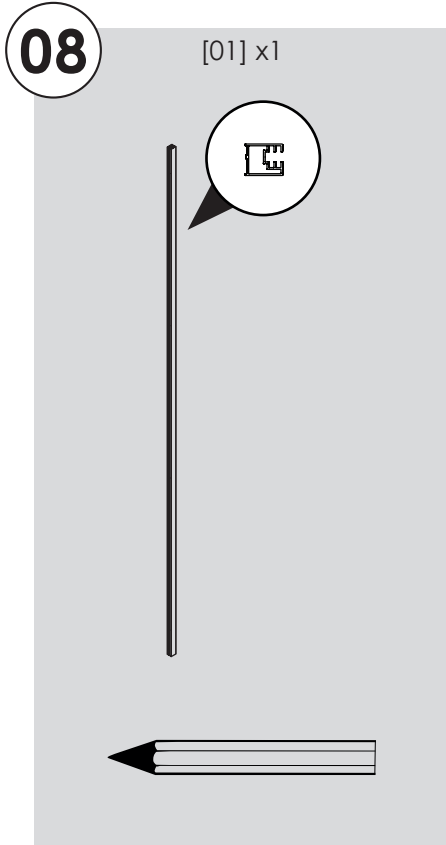
[13] x1



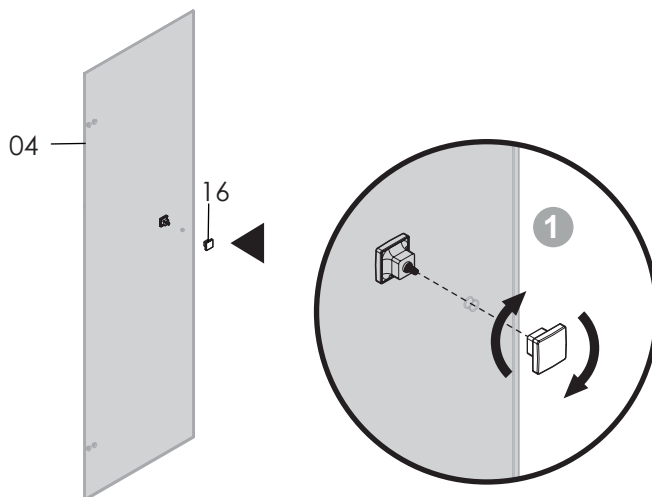
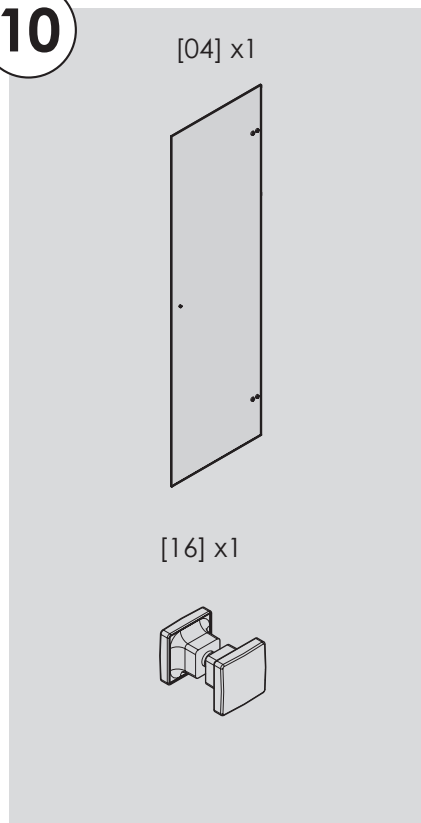
07

[14] x1

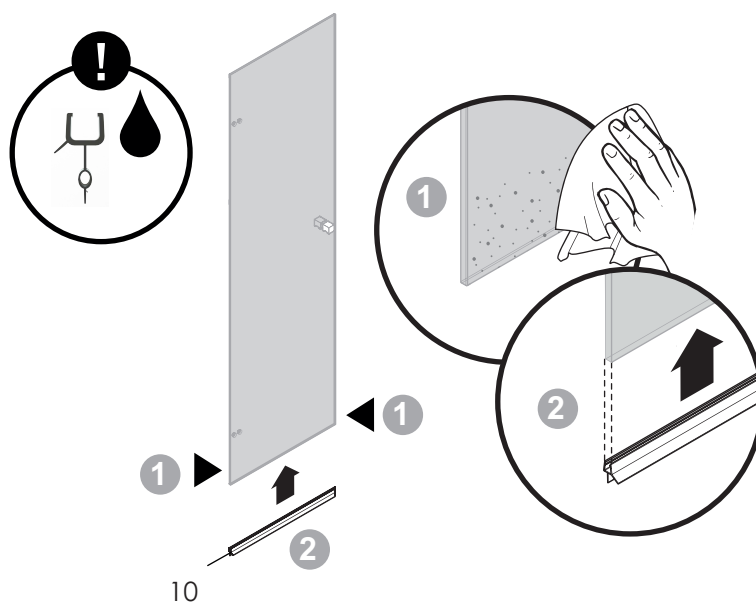
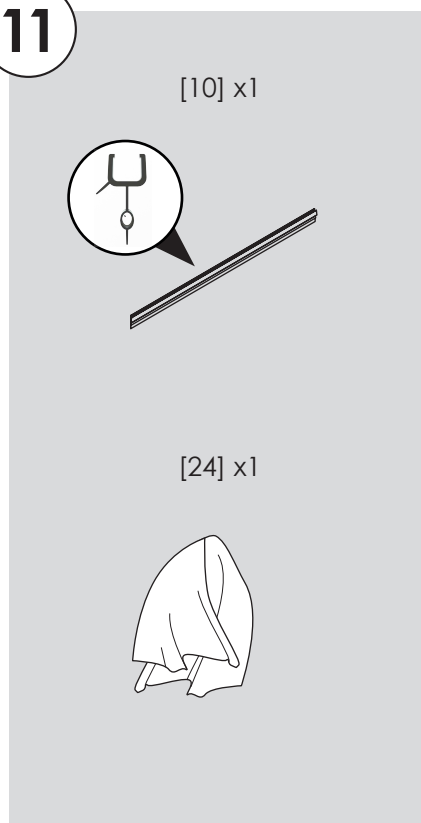




10



11

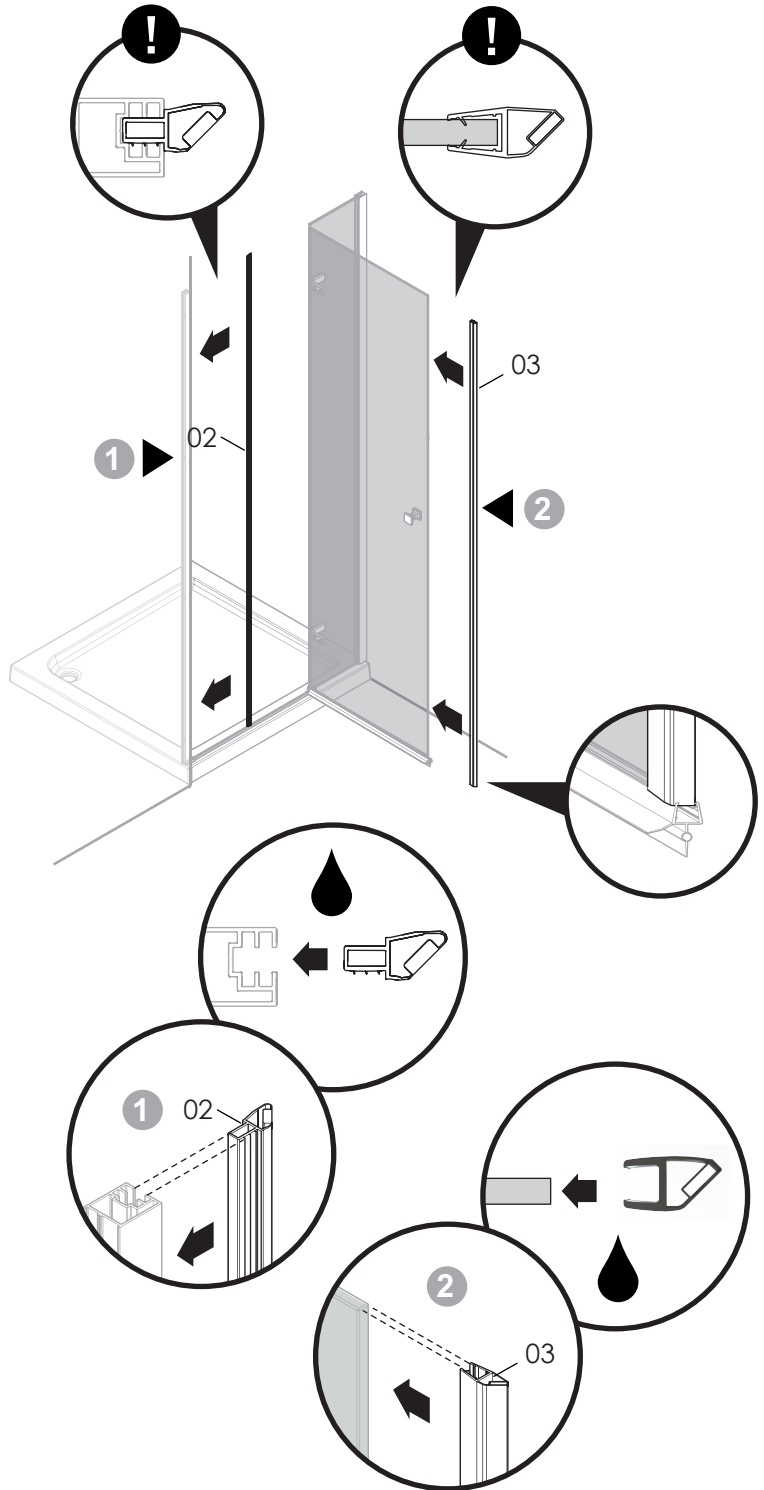


12

[02] x1

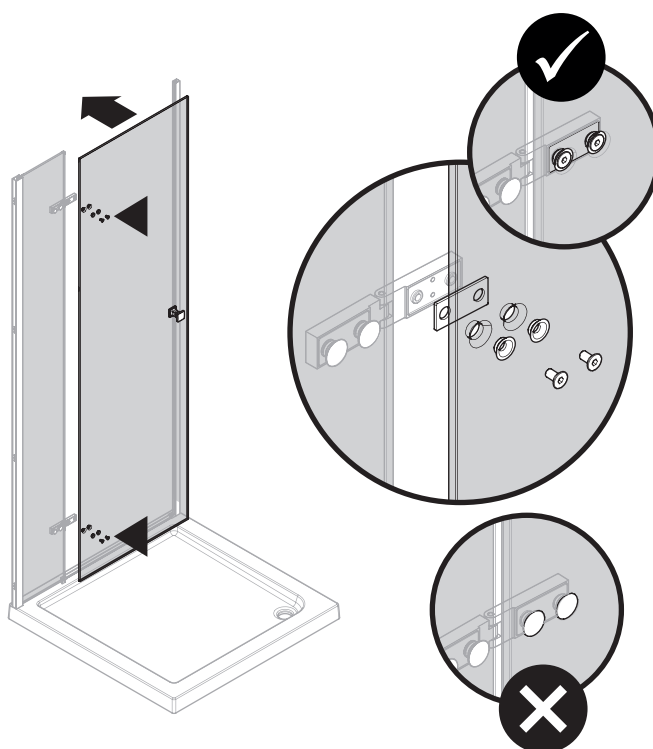
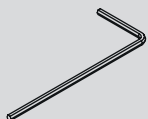


[03] x1

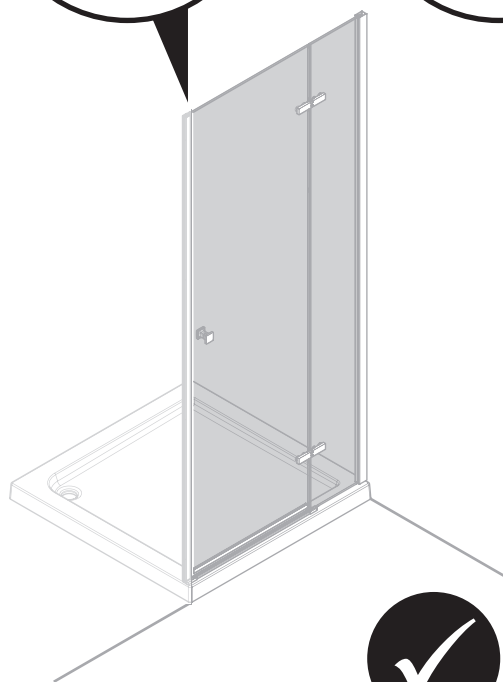
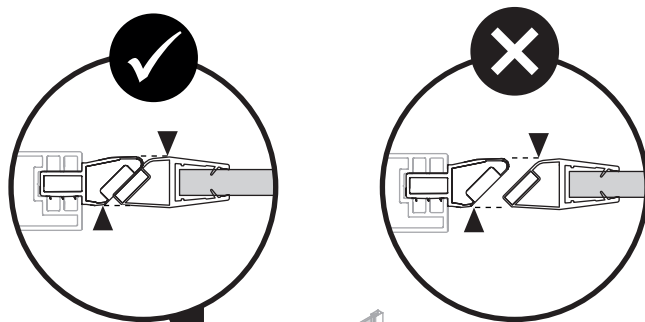


13

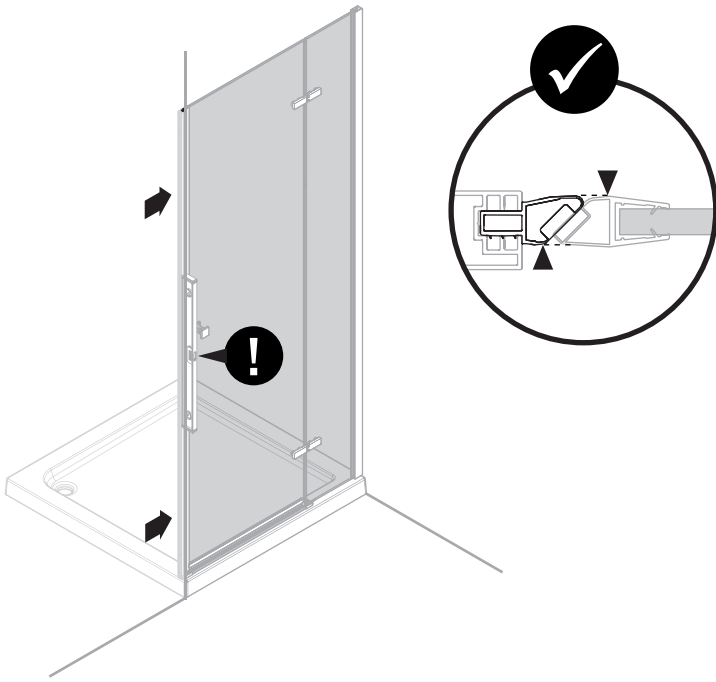
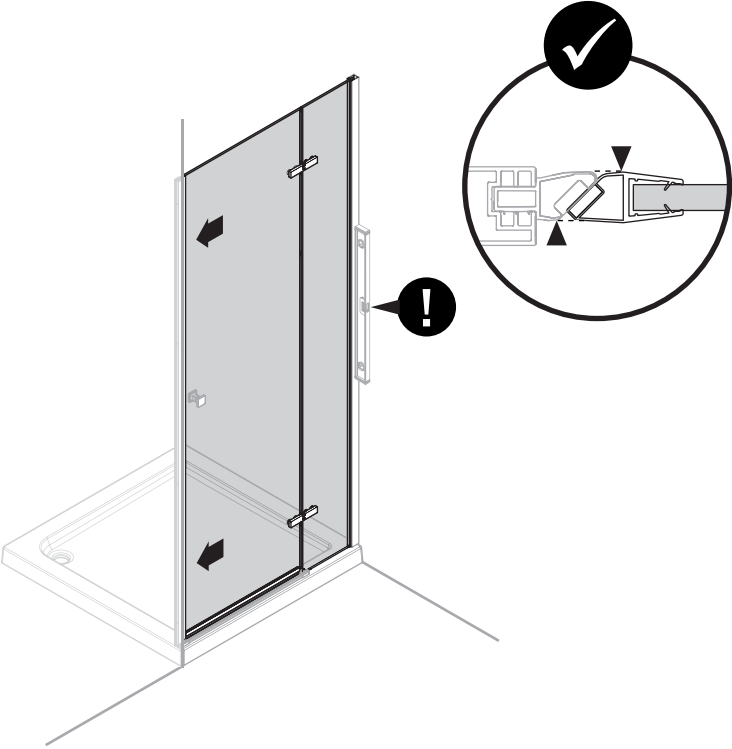
[23] x1



14

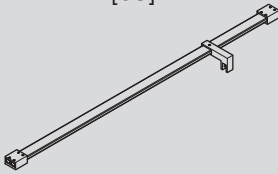


15

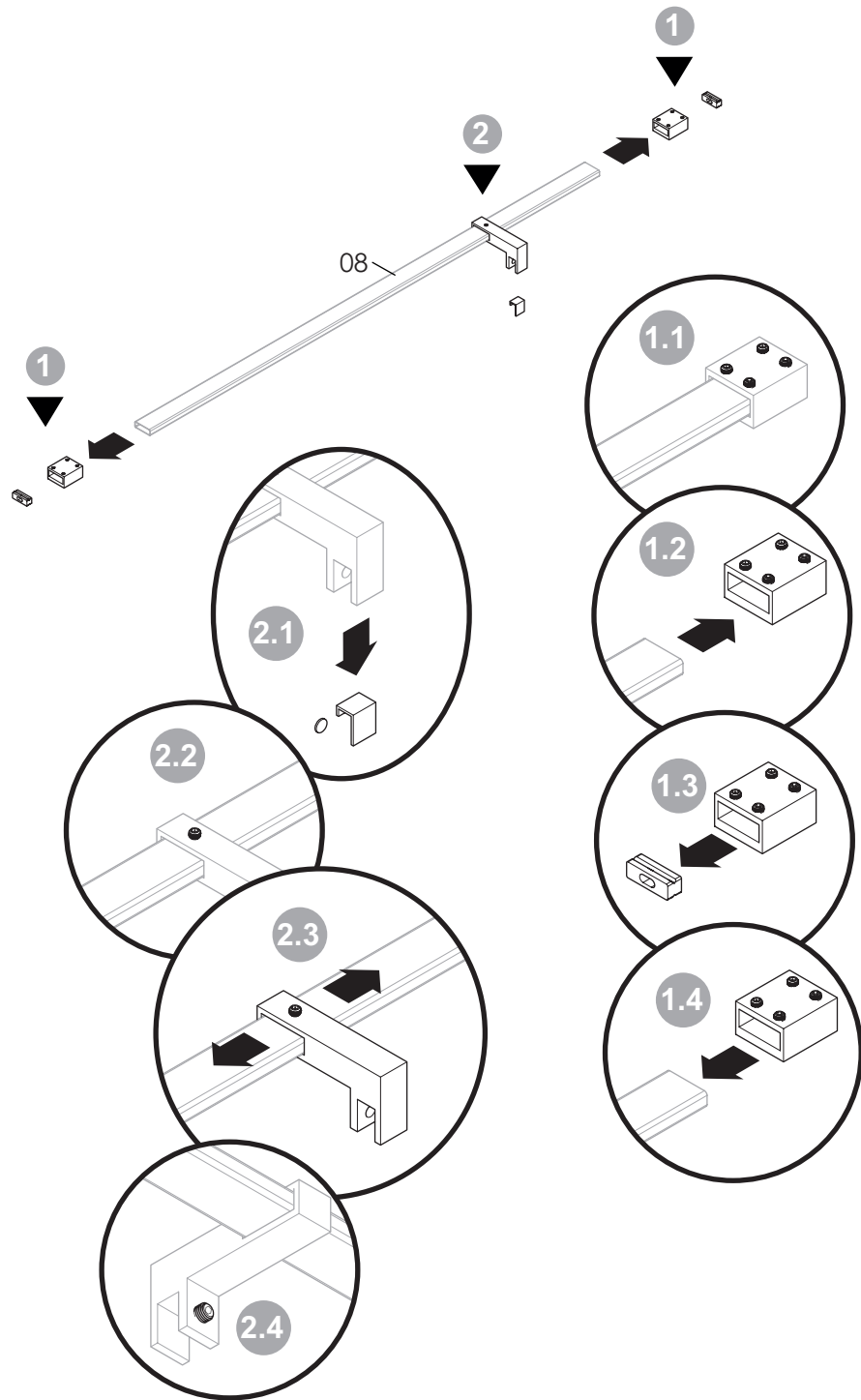
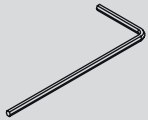


16

[08] x1

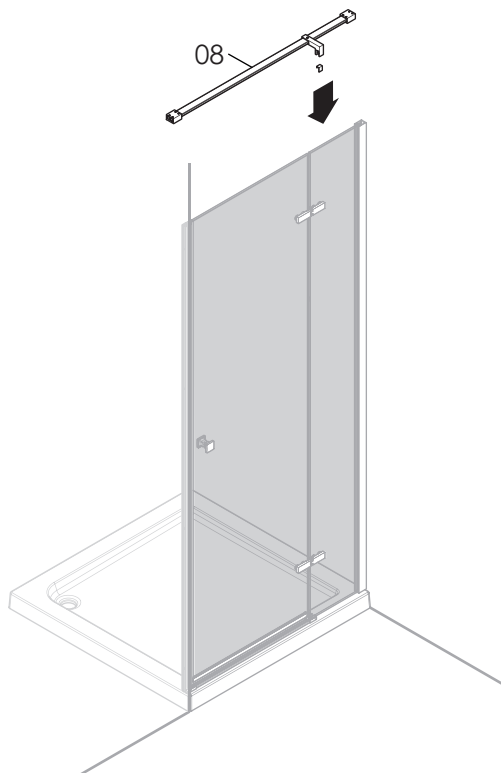
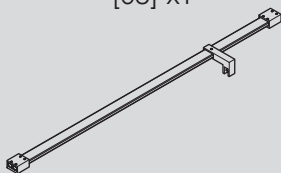


[23] x1

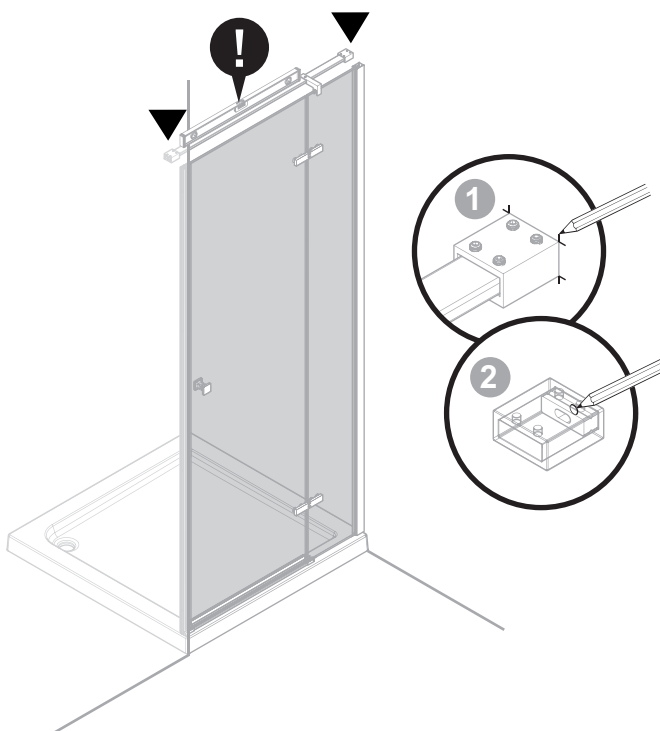
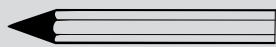


17

[08] x1

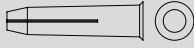


18

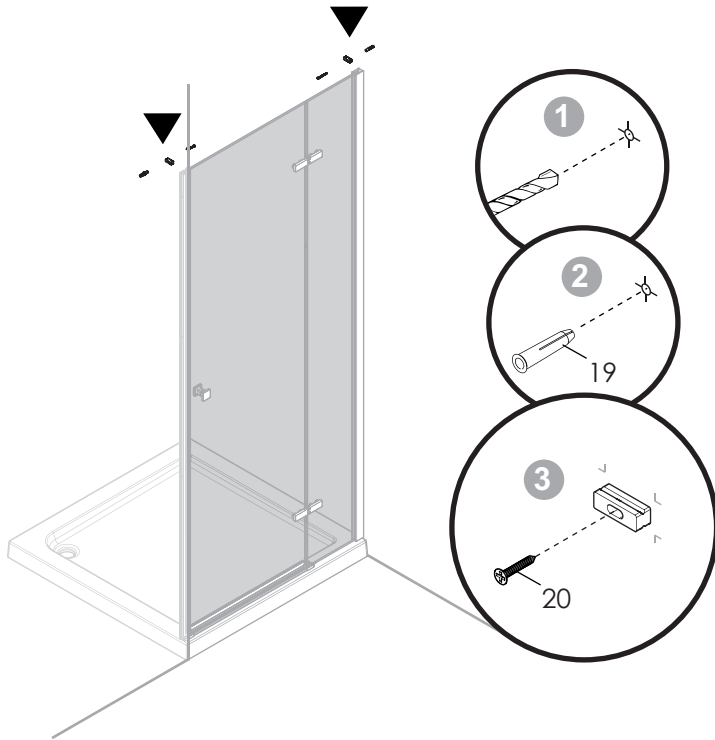
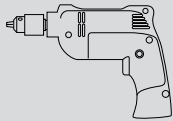
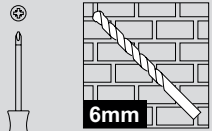


19

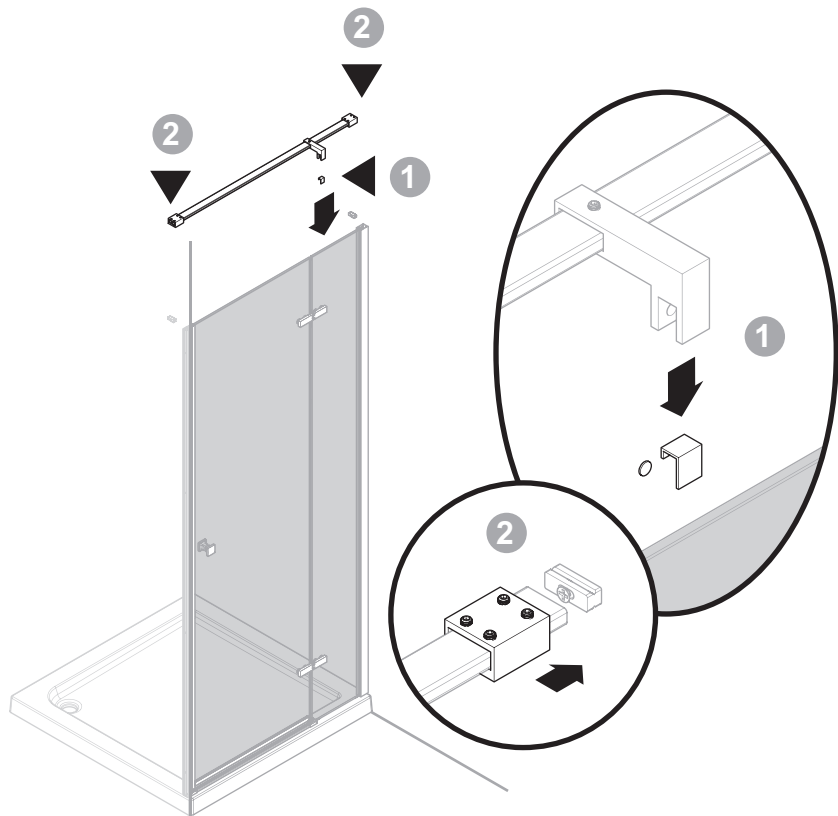
[19] x2



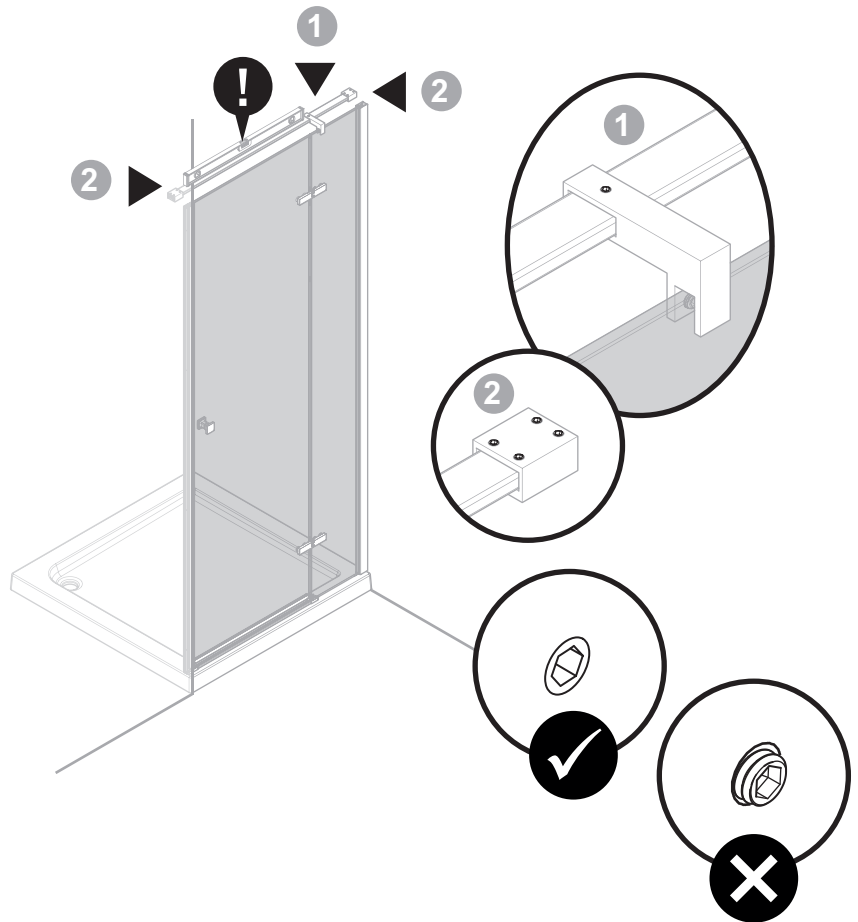
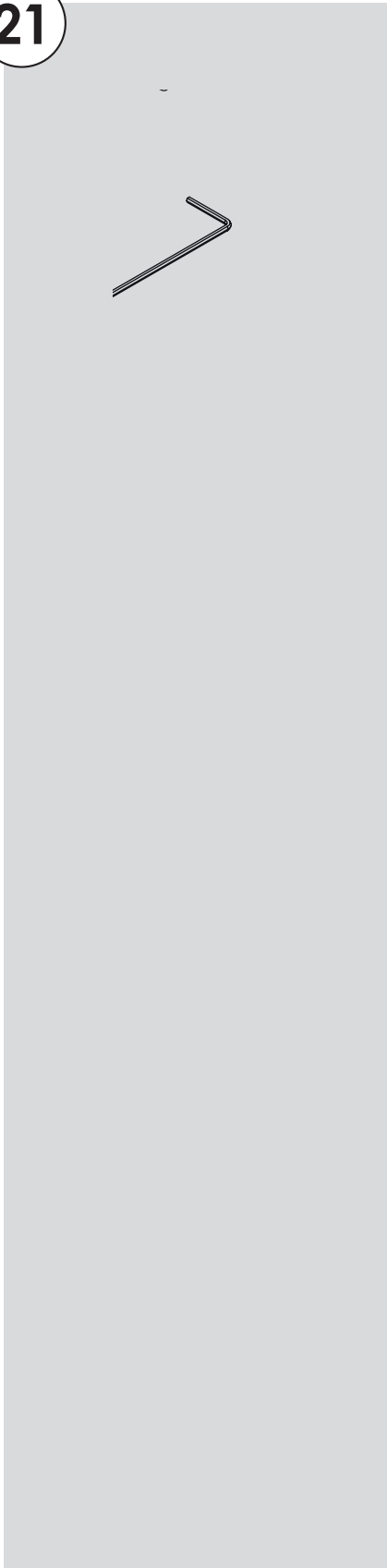
[20] x2



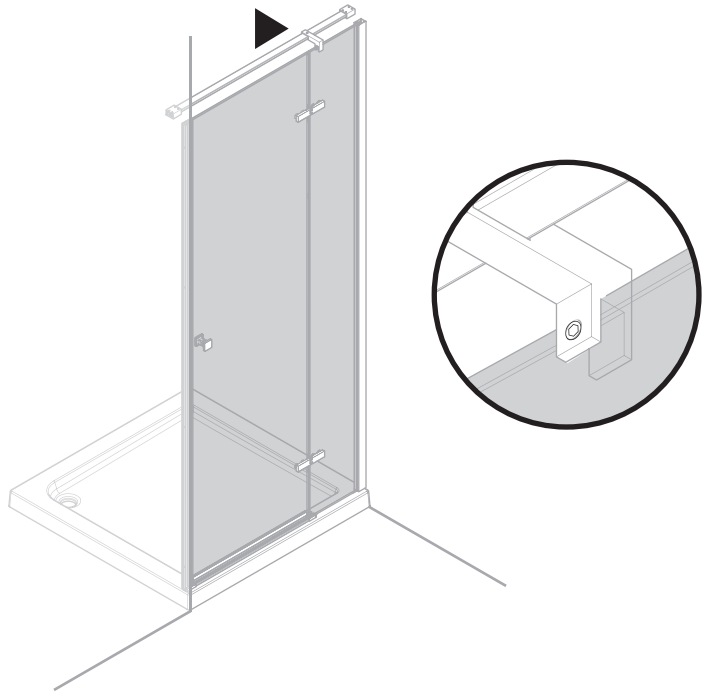
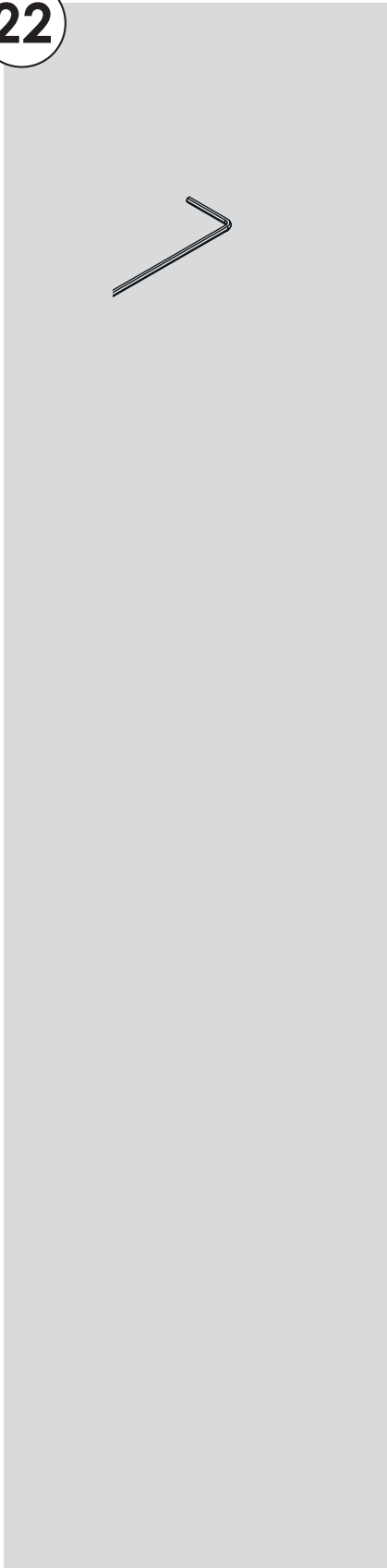
20



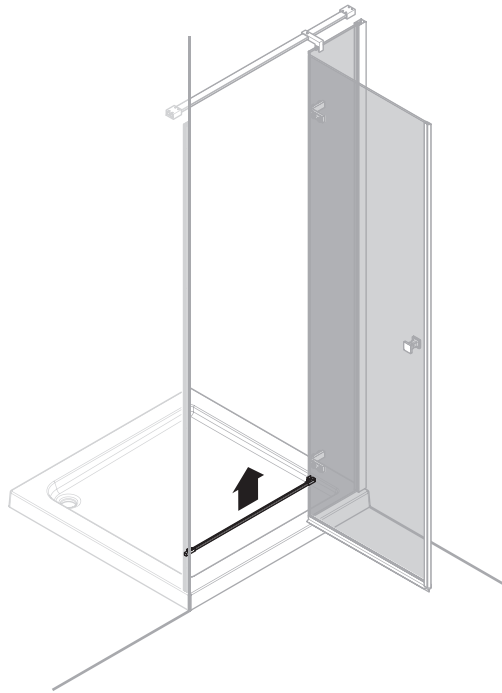
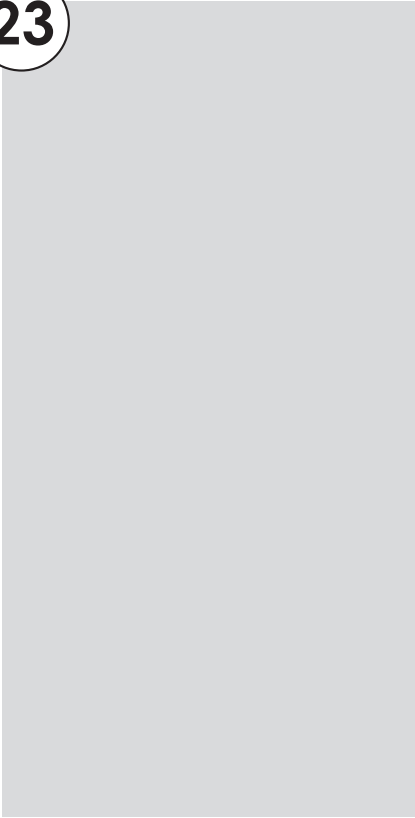
21



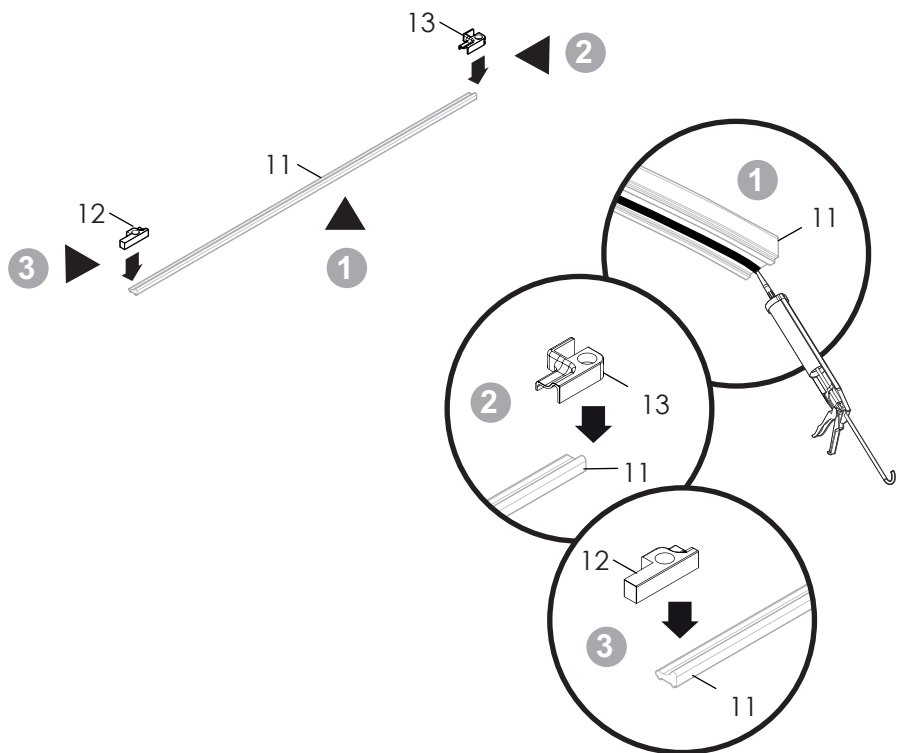
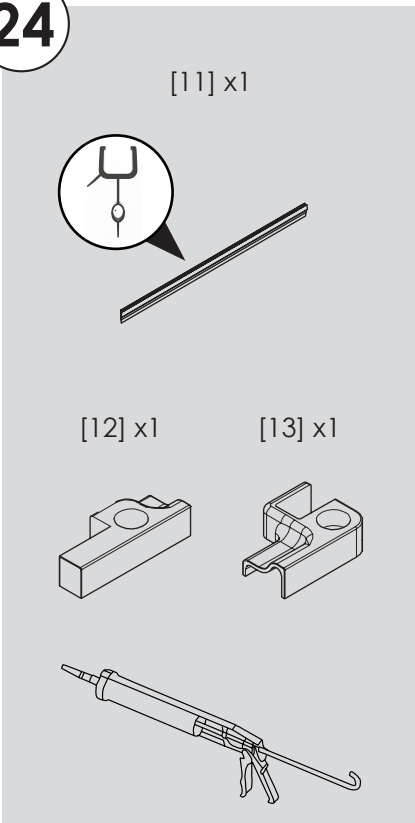
22



23

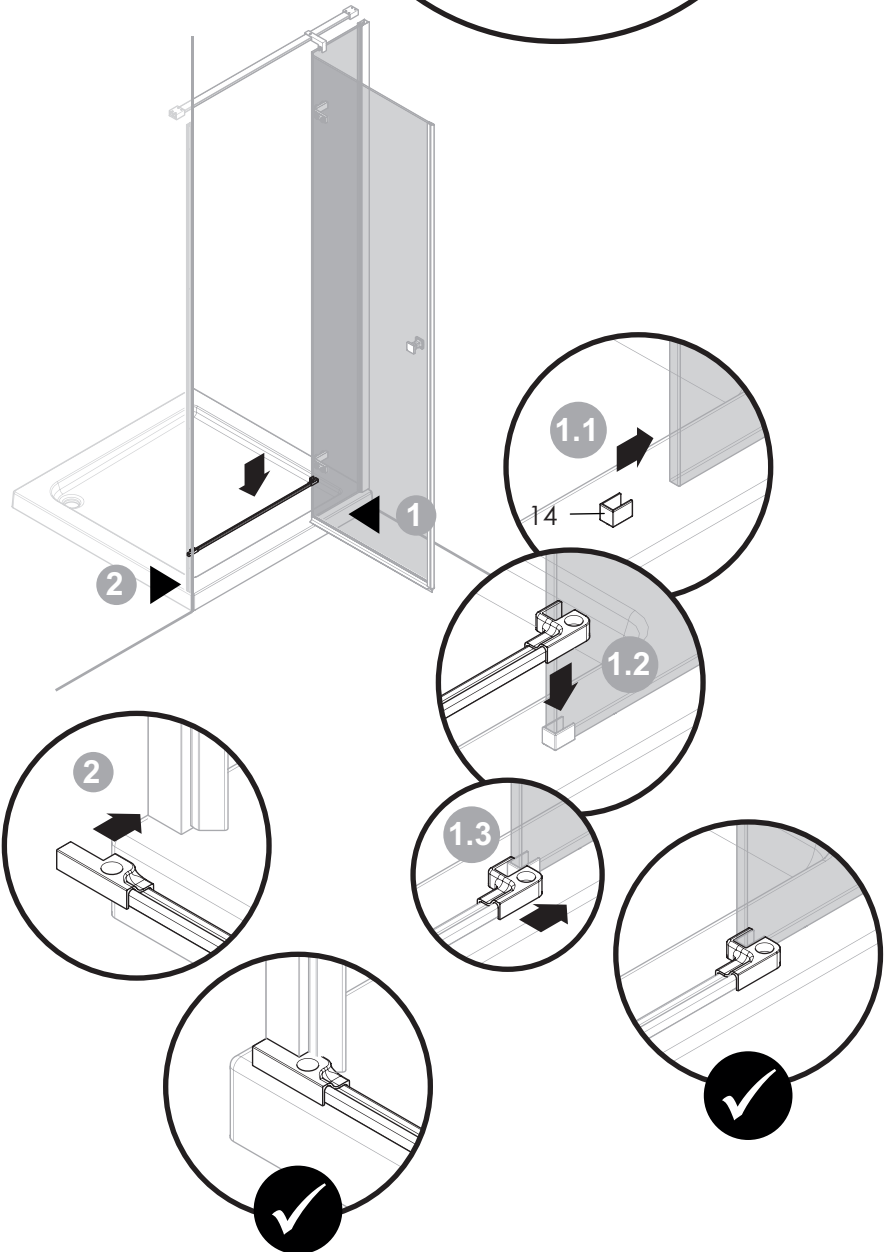
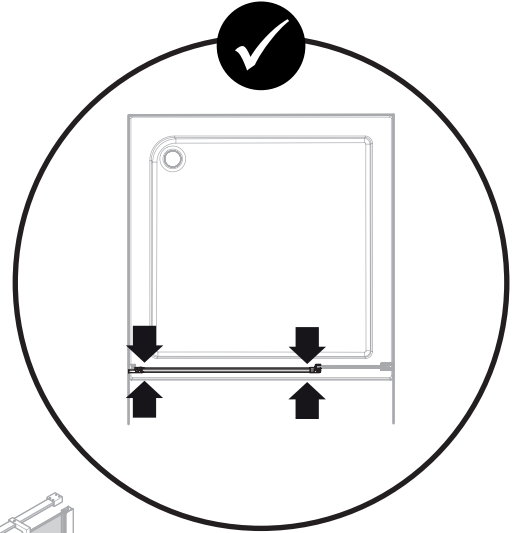
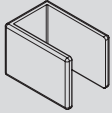


24



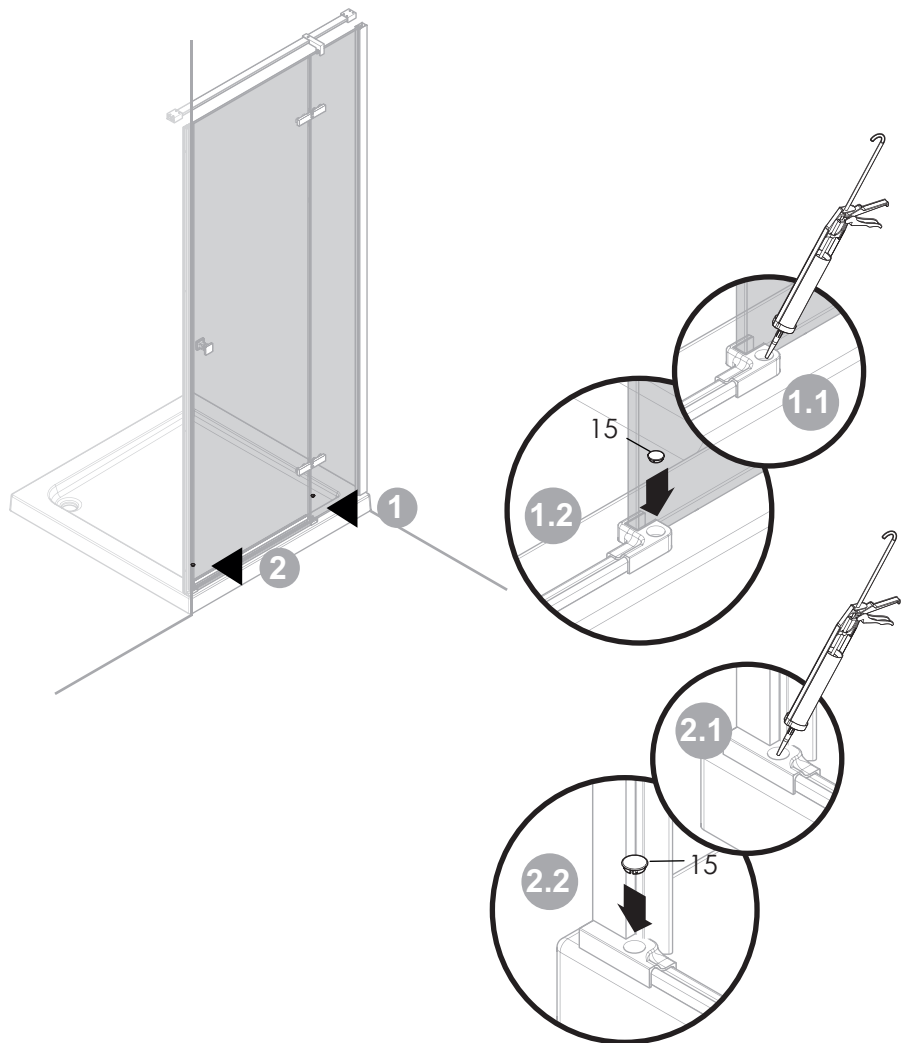
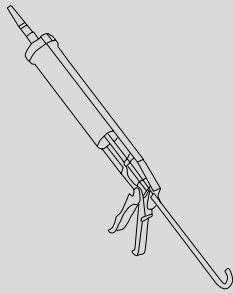
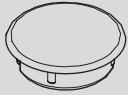
25

[14] x1

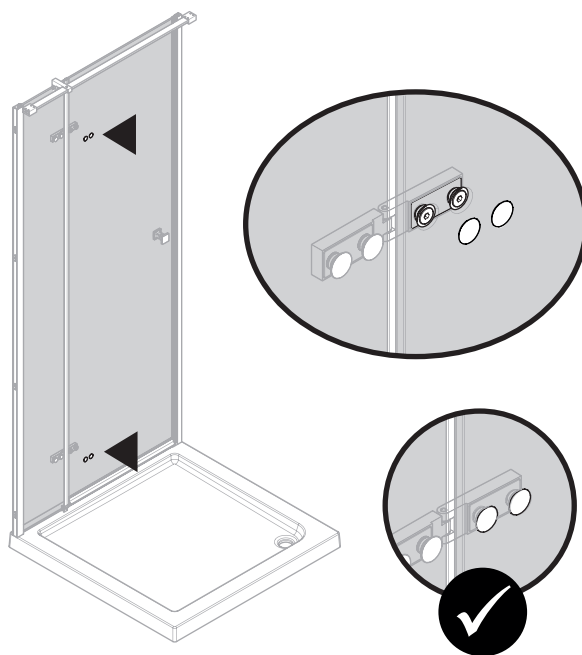
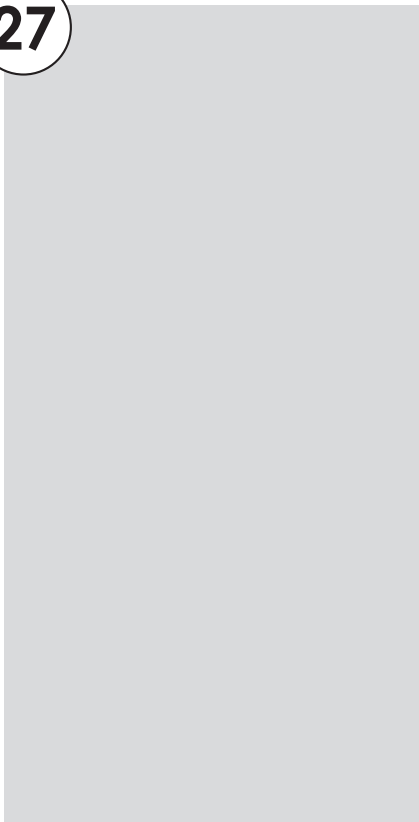


26

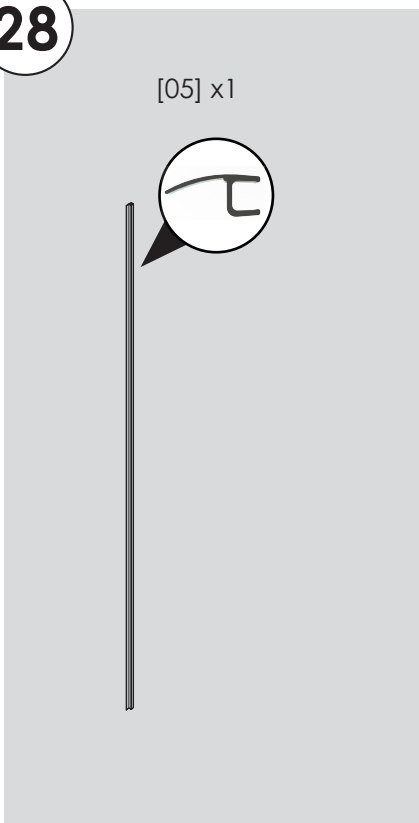
[15] x2



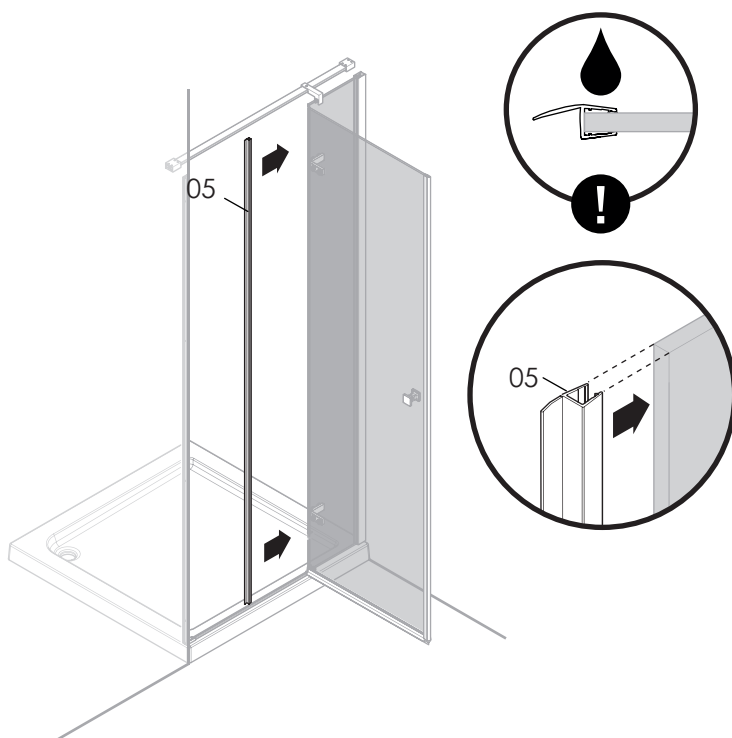
27



28



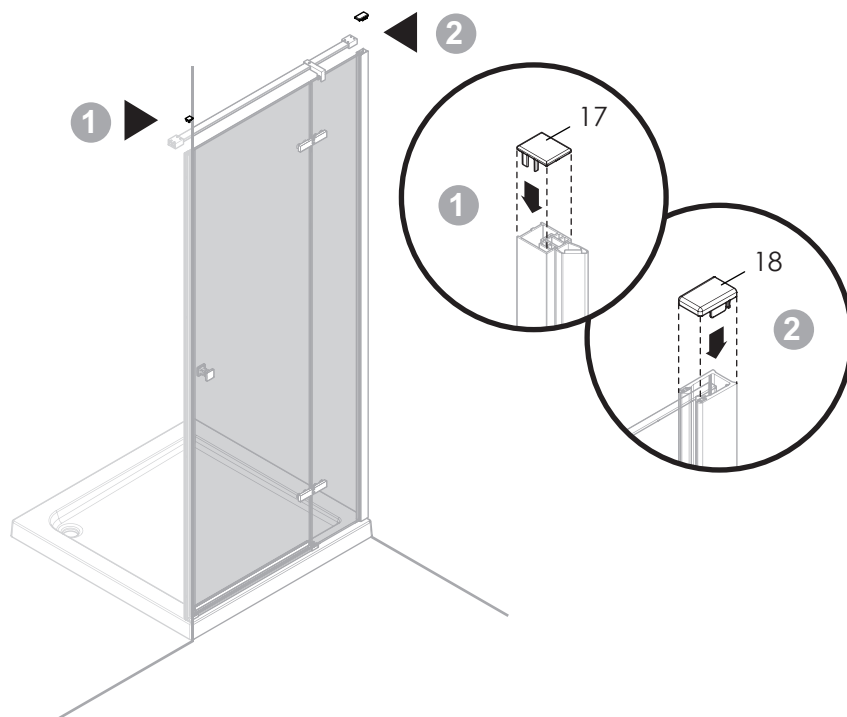
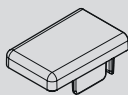
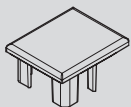
[05] x1



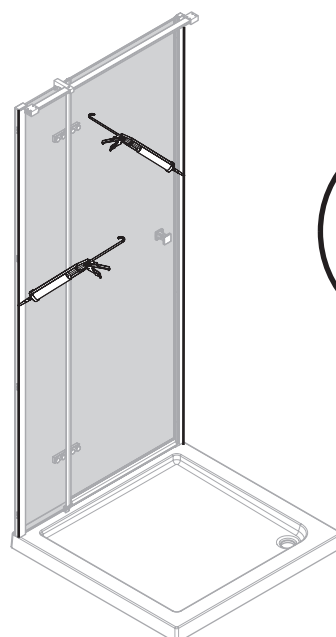
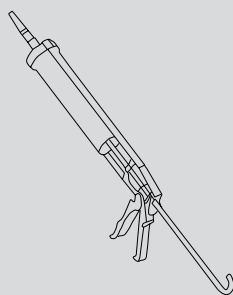
29

[17] x1

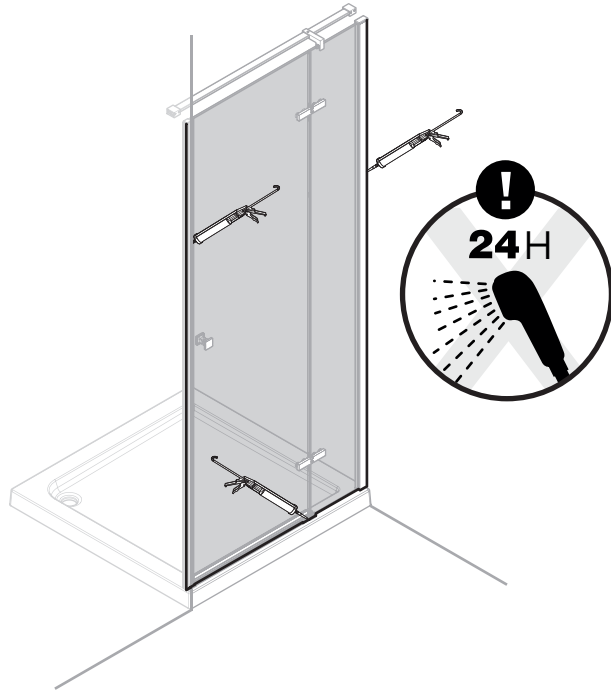
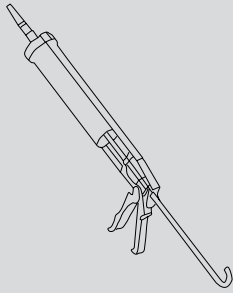
[18] x1

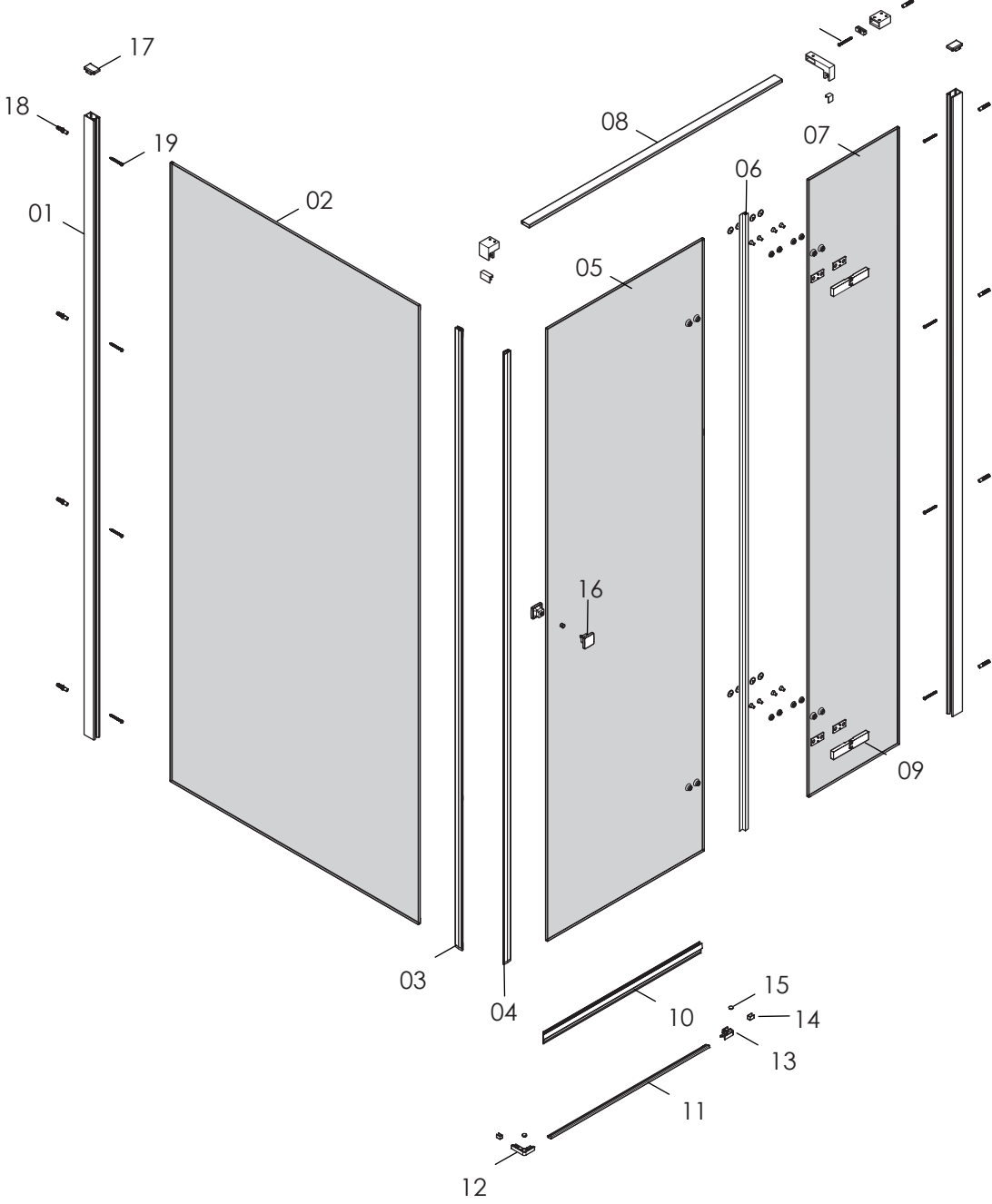


30



31

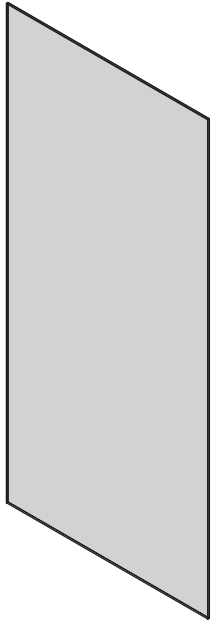




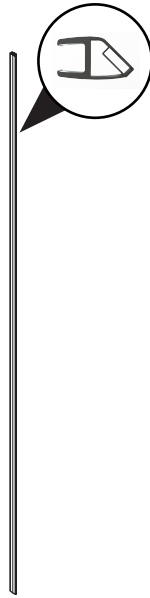
[01] x2



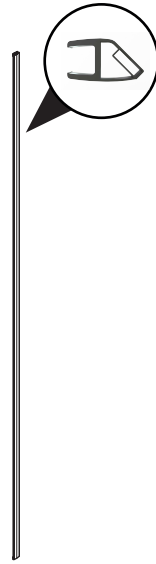
[02] x1



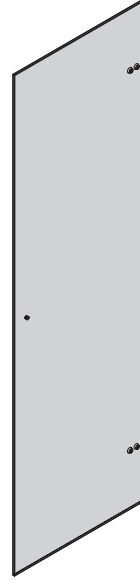
[03] x1



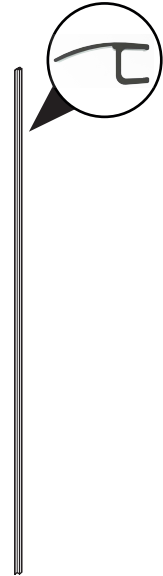
[04] x1



[05] x1



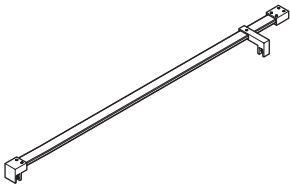
[06] x1



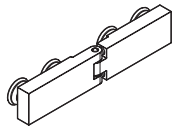
[07] x1



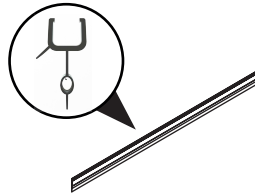
[08] x1



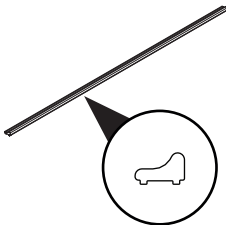
[09] x2



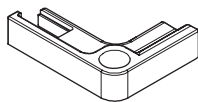
[10] x1



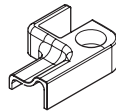
[11] x1



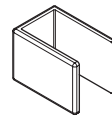
[12] x1



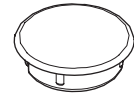
[13] x1



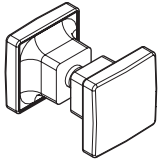
[14] x2



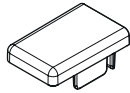
[15] x2



[16] x1



[17] x2



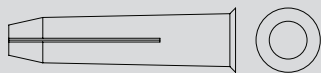
[21] x1



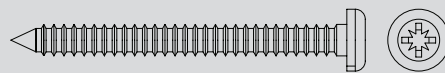
[22] x2



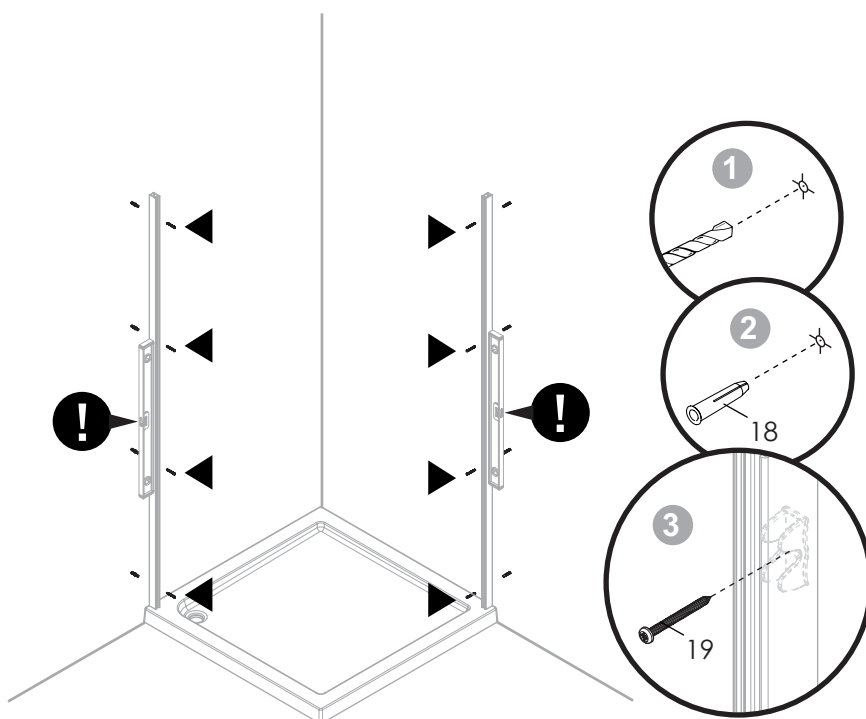
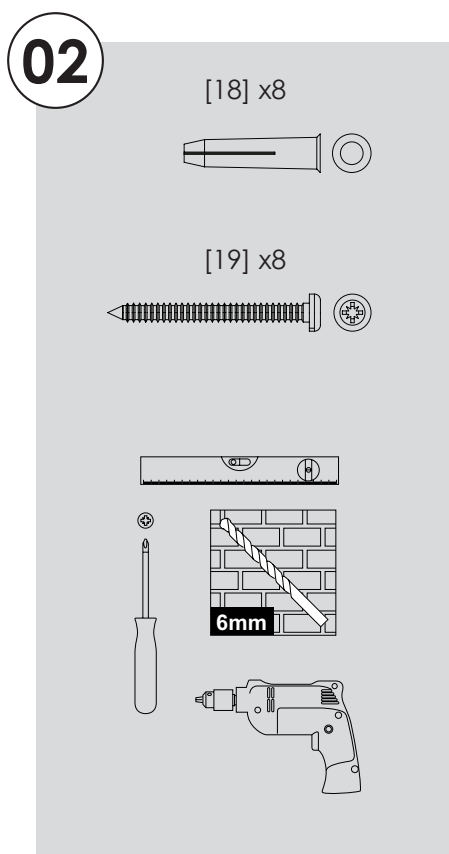
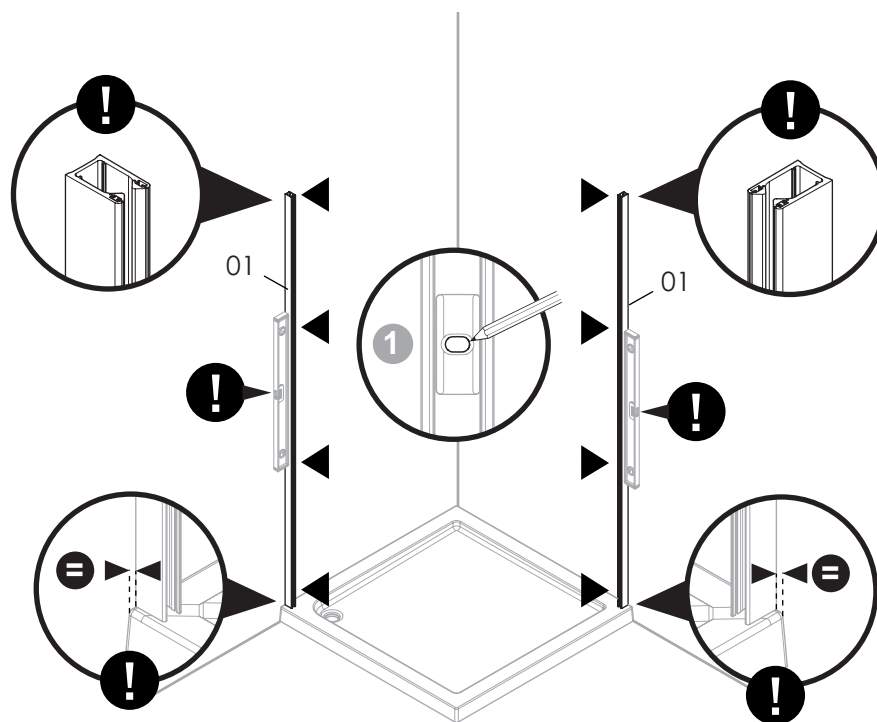
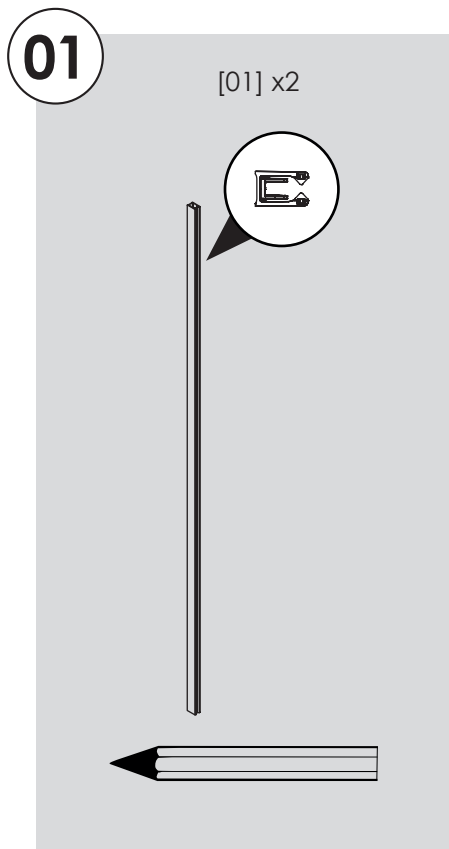
[18] x9



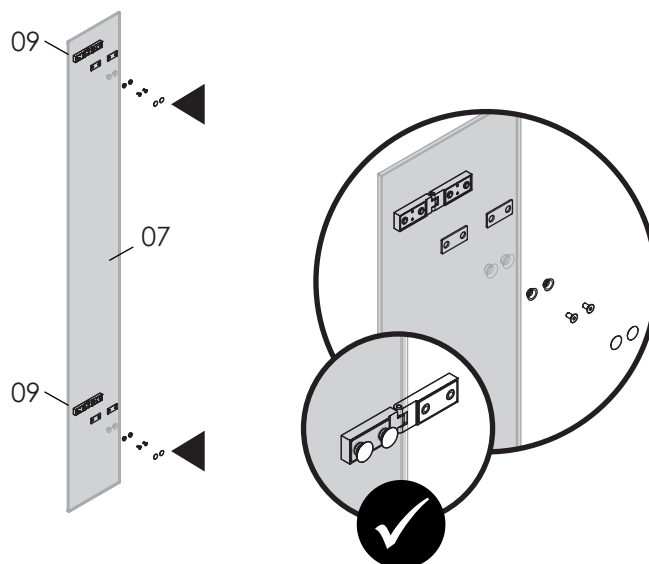
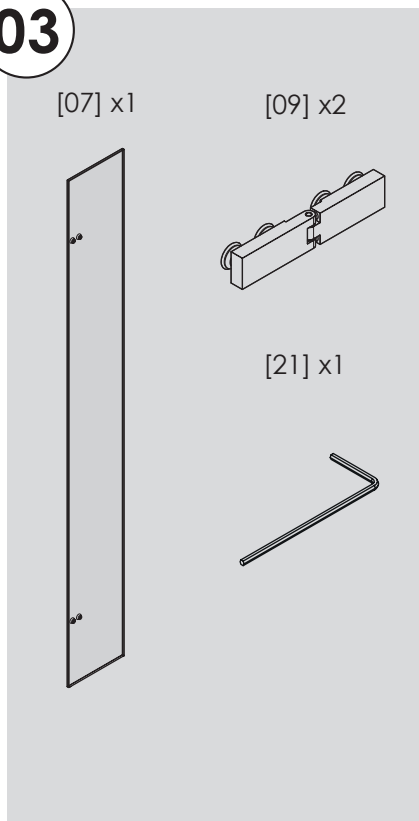
[19] x9



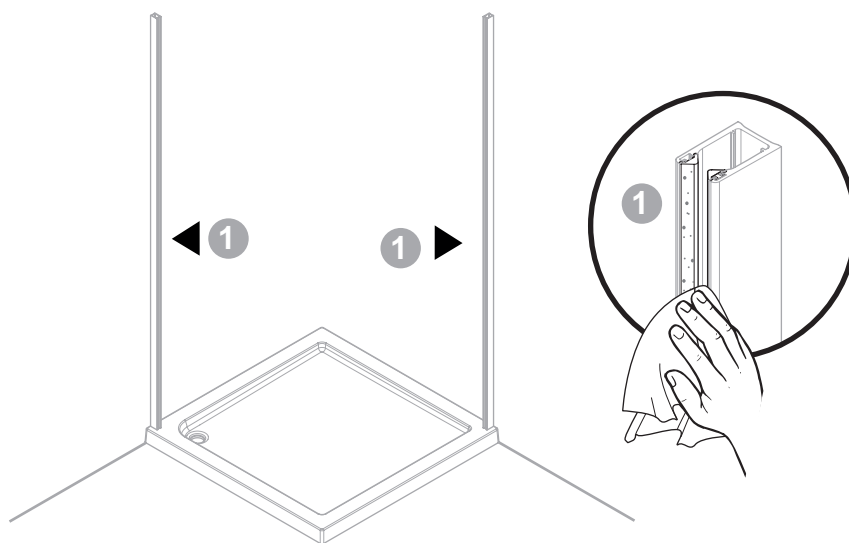
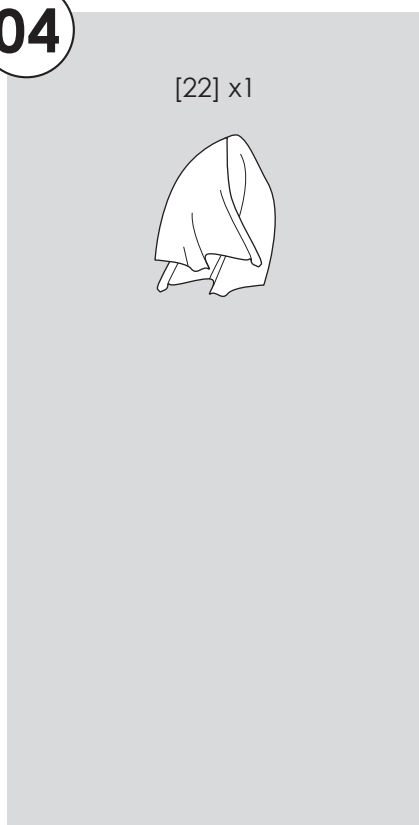
1 : 1



03



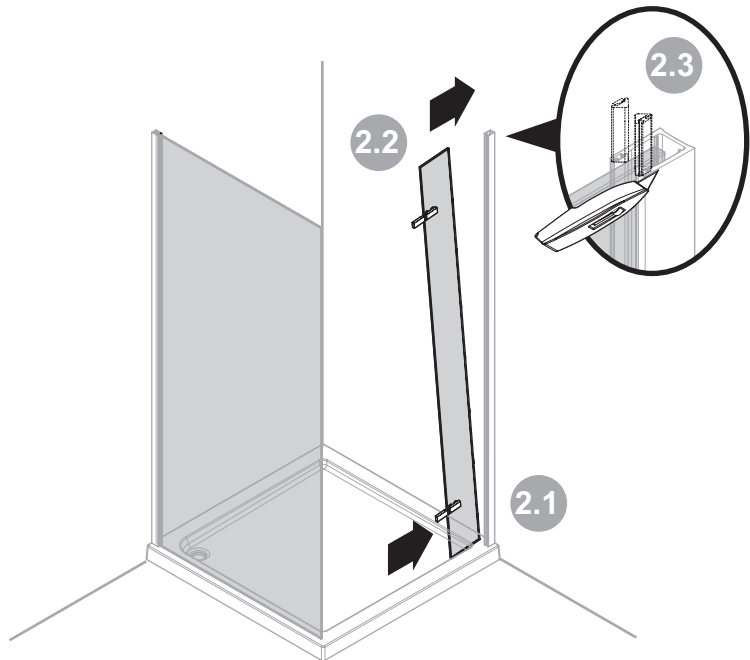
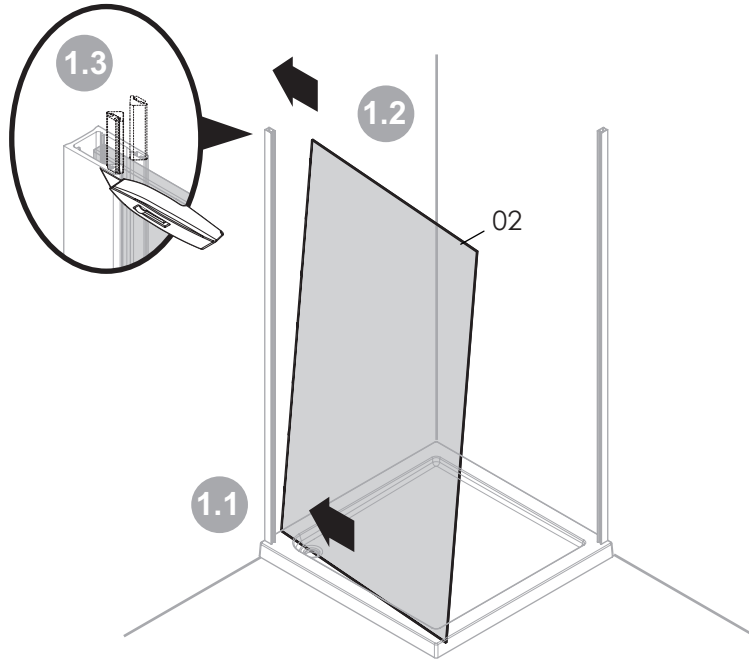
04



05

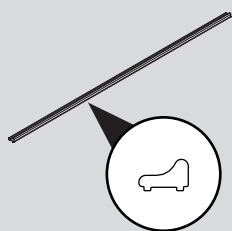


[02] x1



06

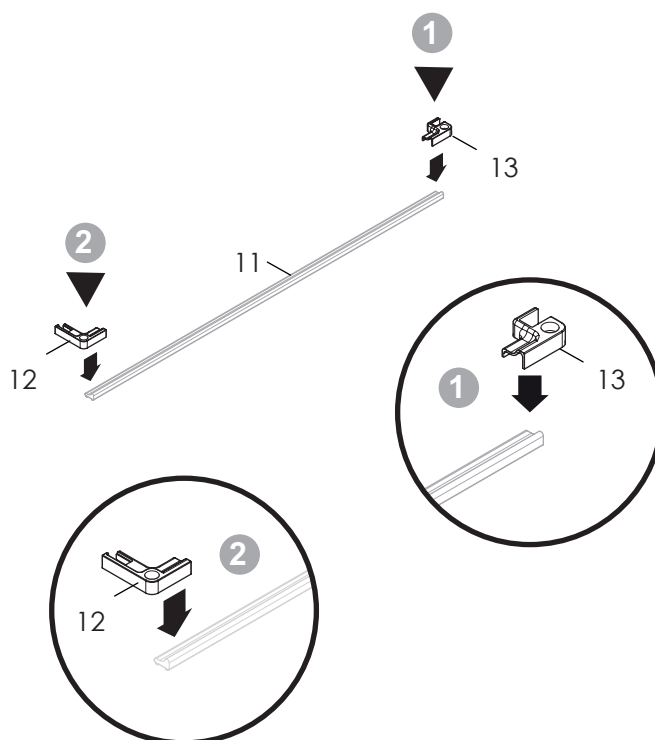
[11] x1



[12] x1

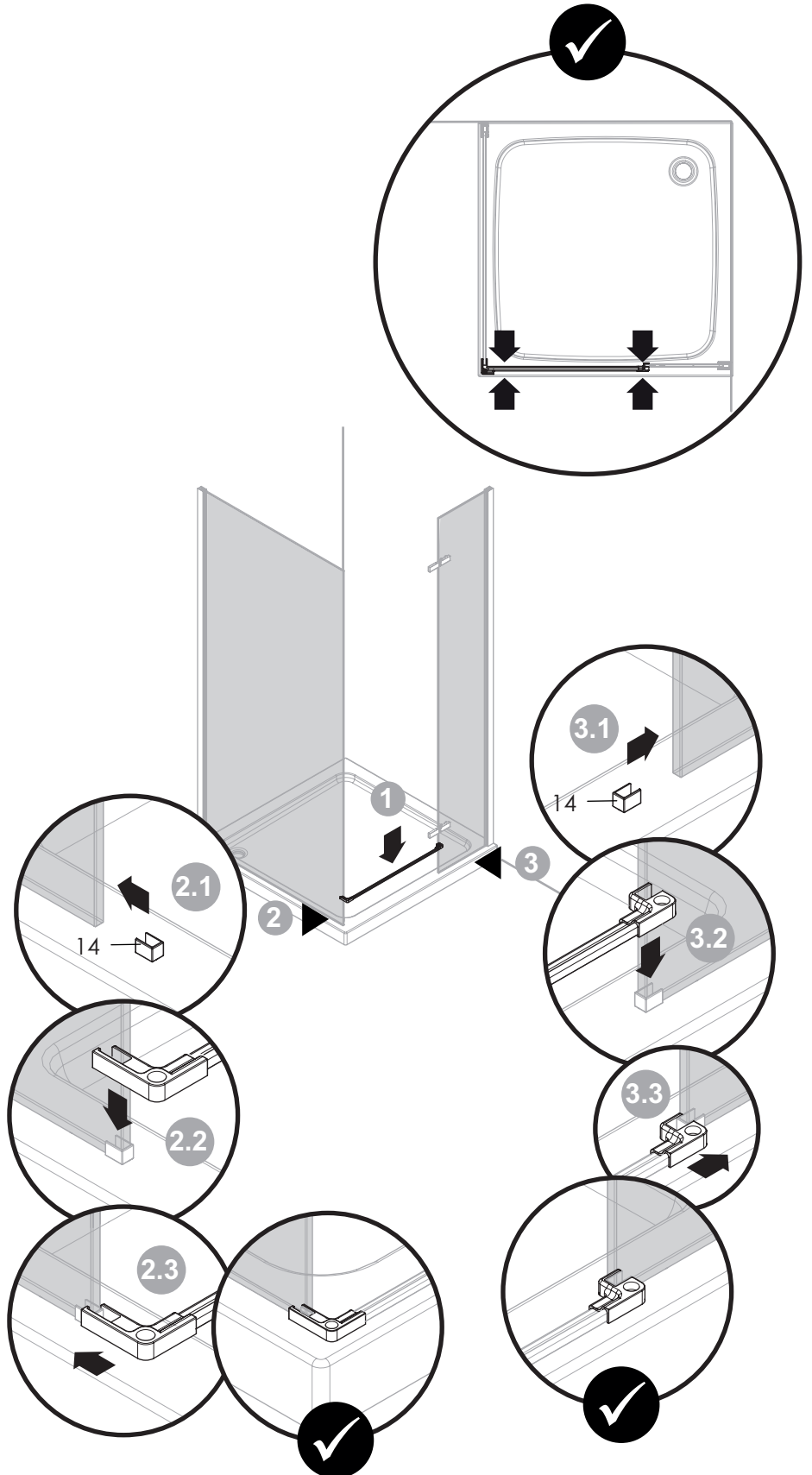
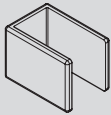


[13] x1

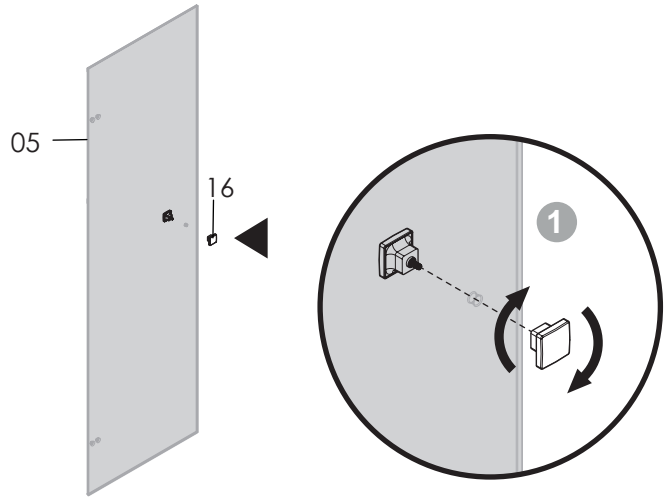
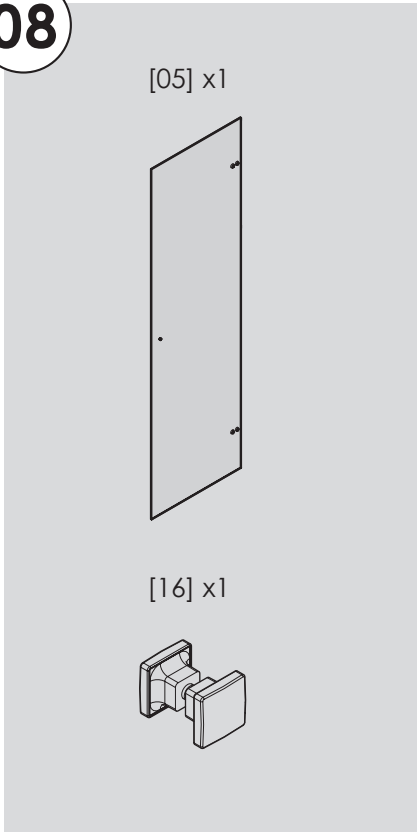


07

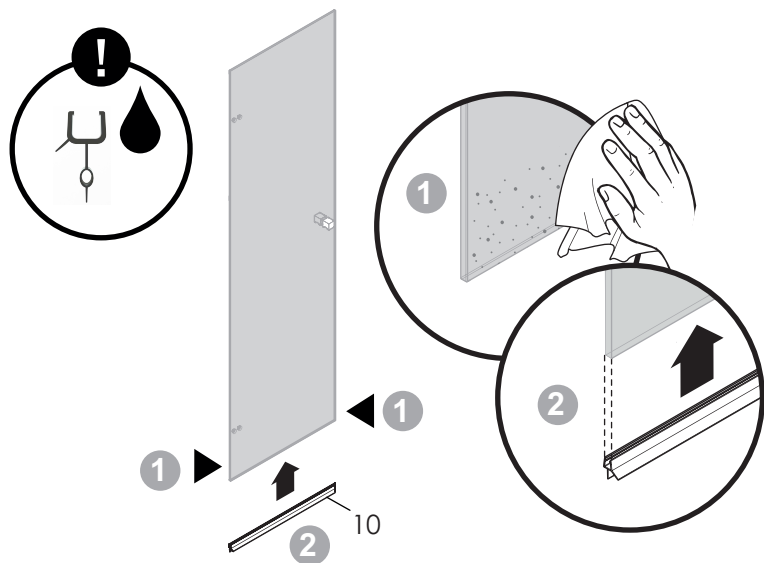
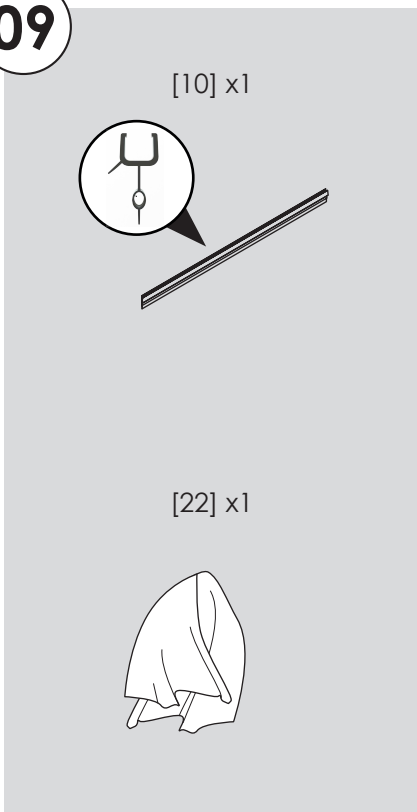
[14] x2



08

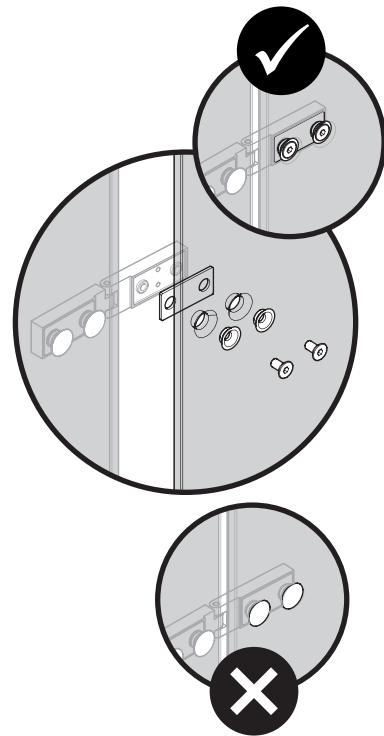
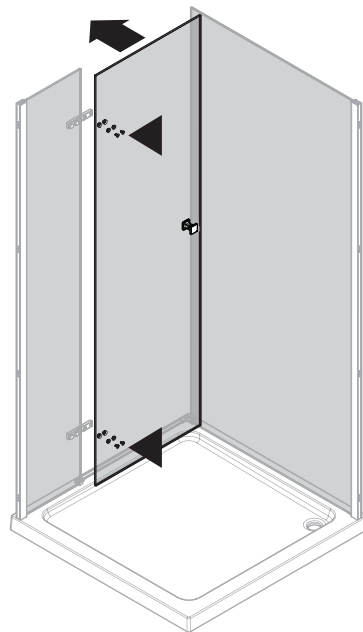
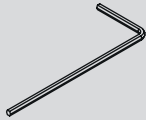


09



10

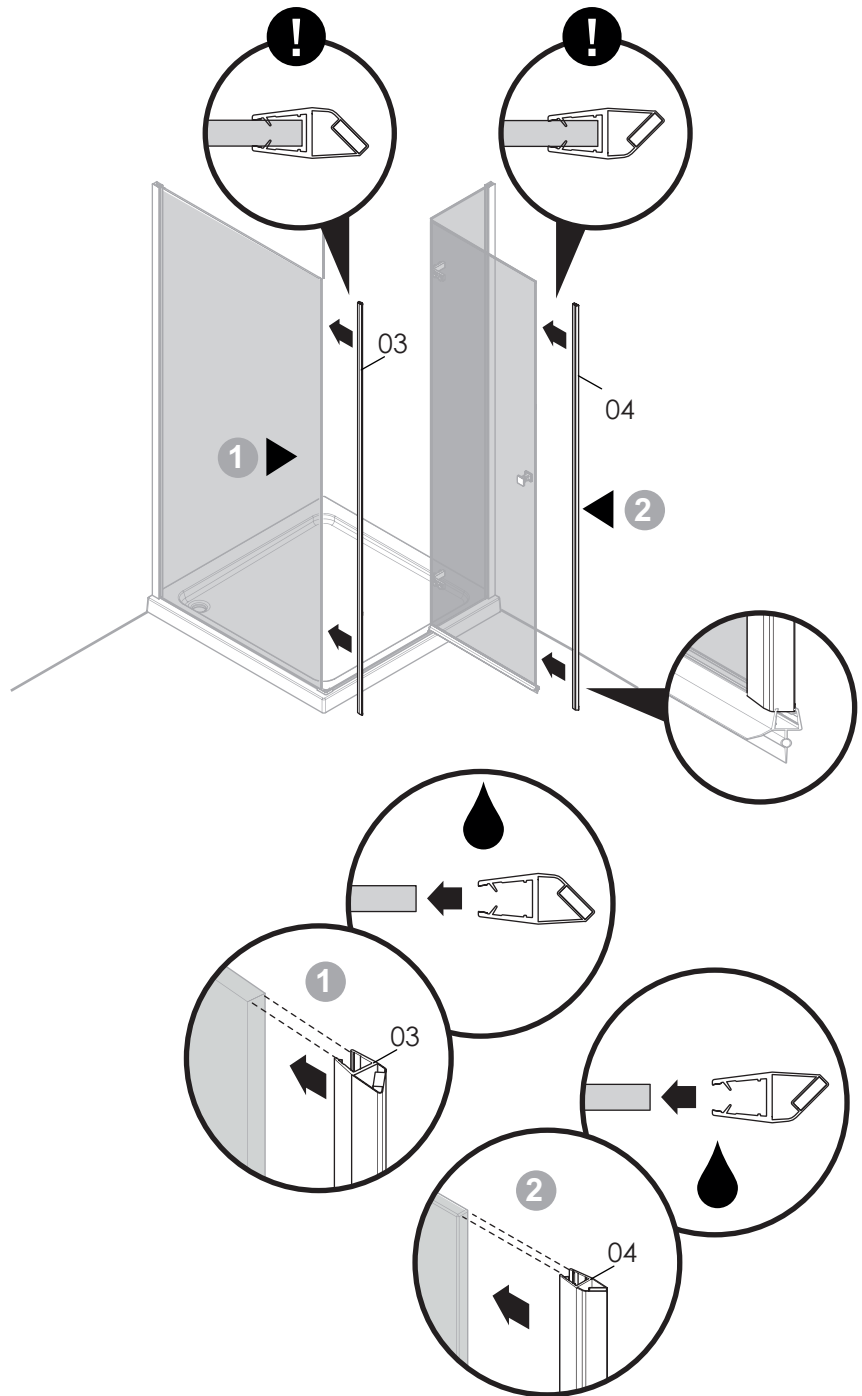
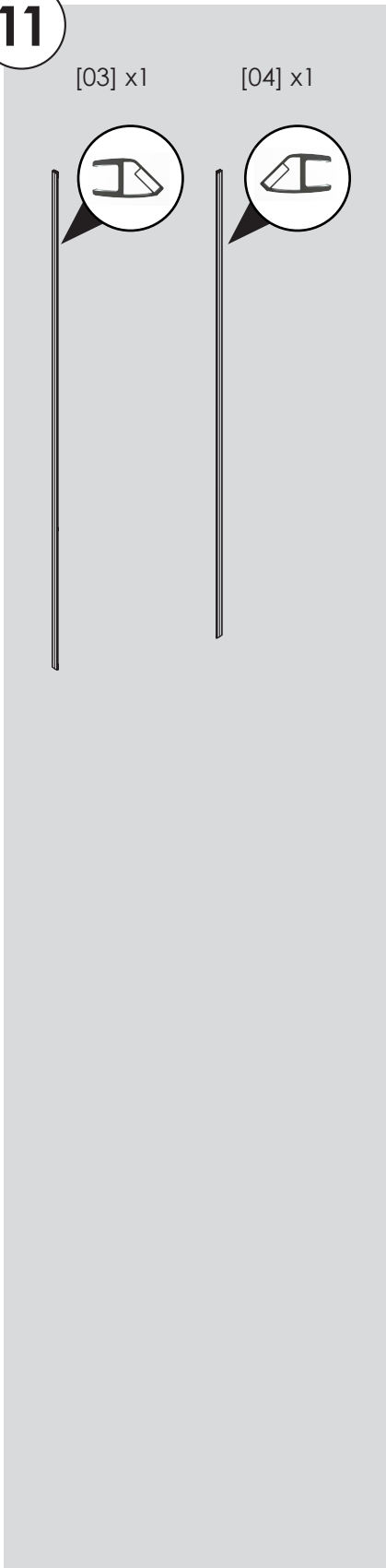
[21] x1



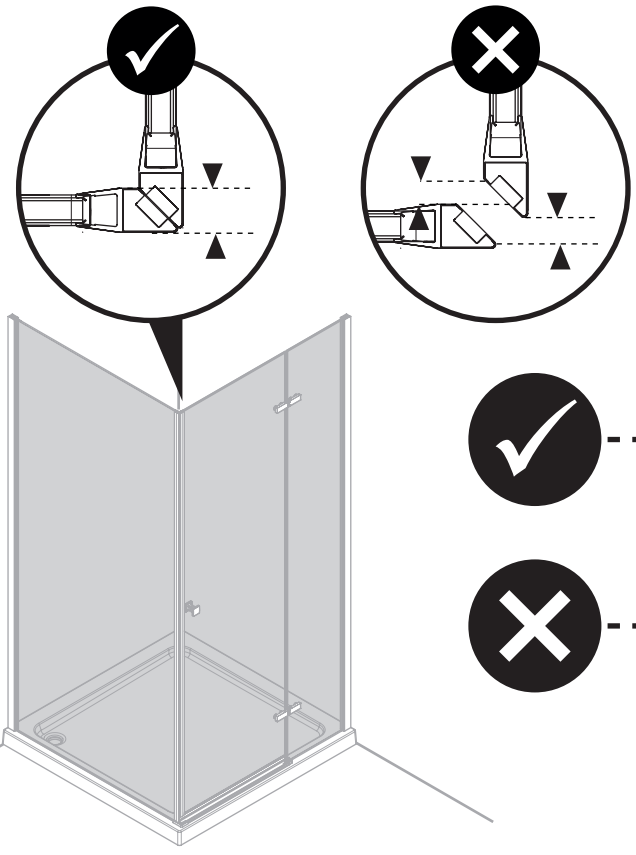
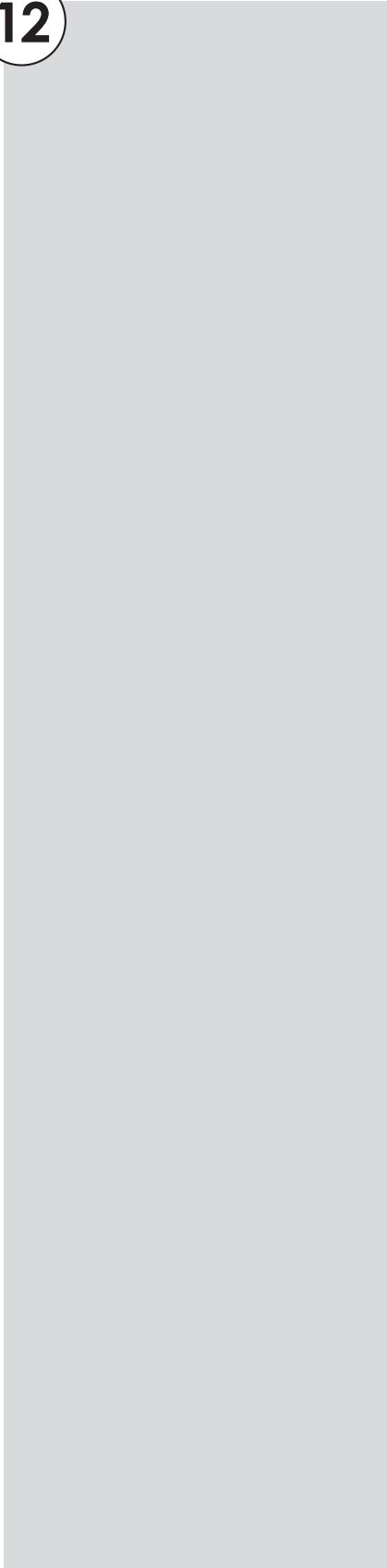
11

[03] x1

[04] x1

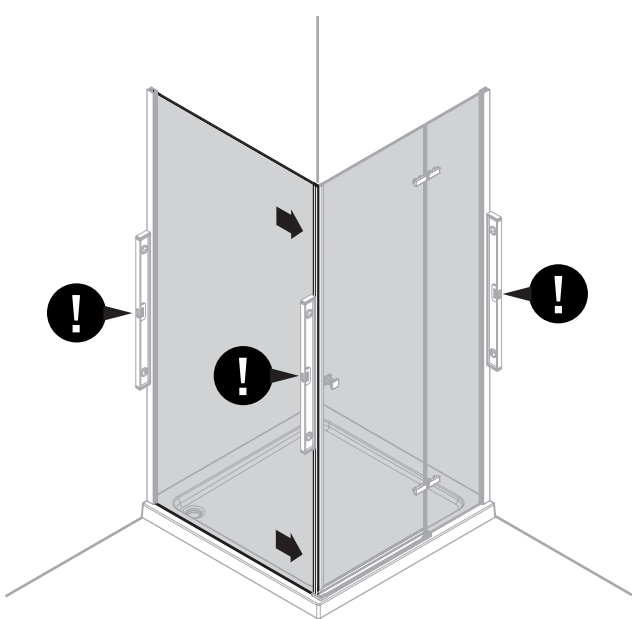
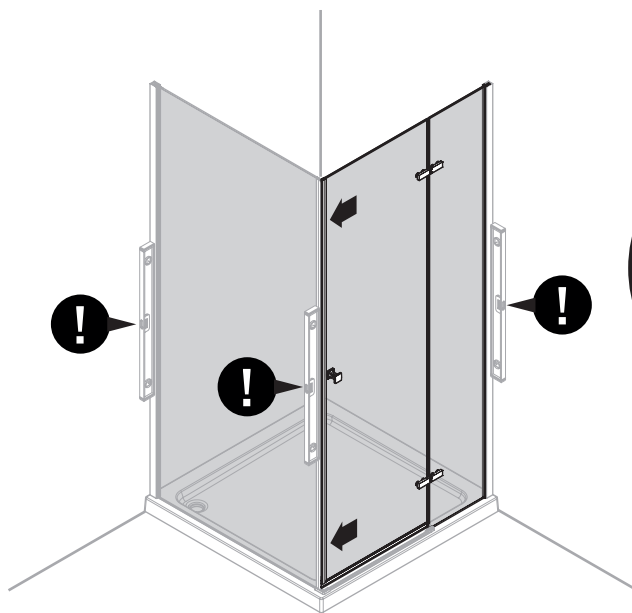
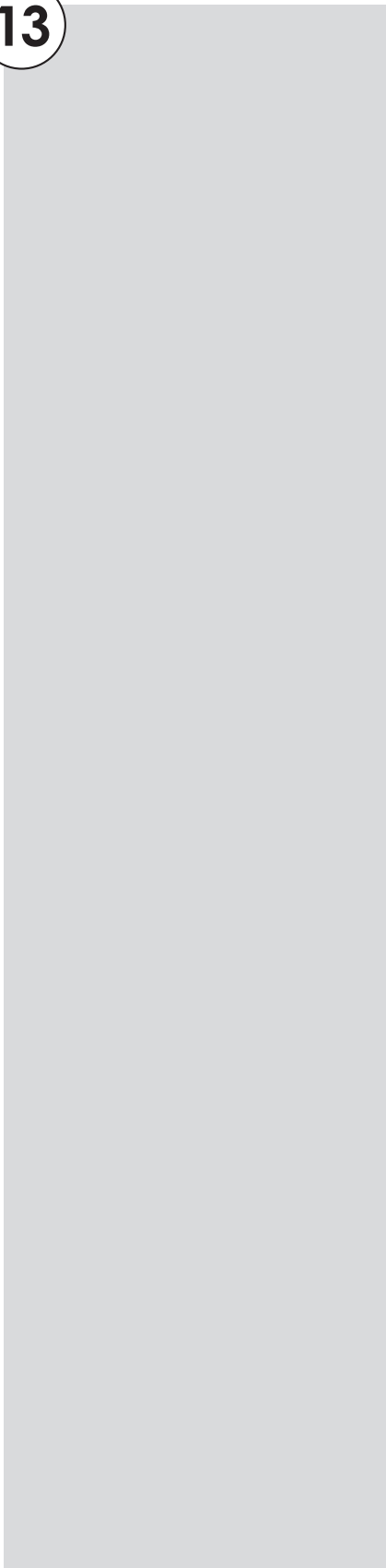


12



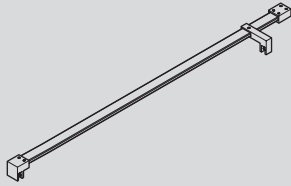
- ✓ 14
- ✗ 13

13

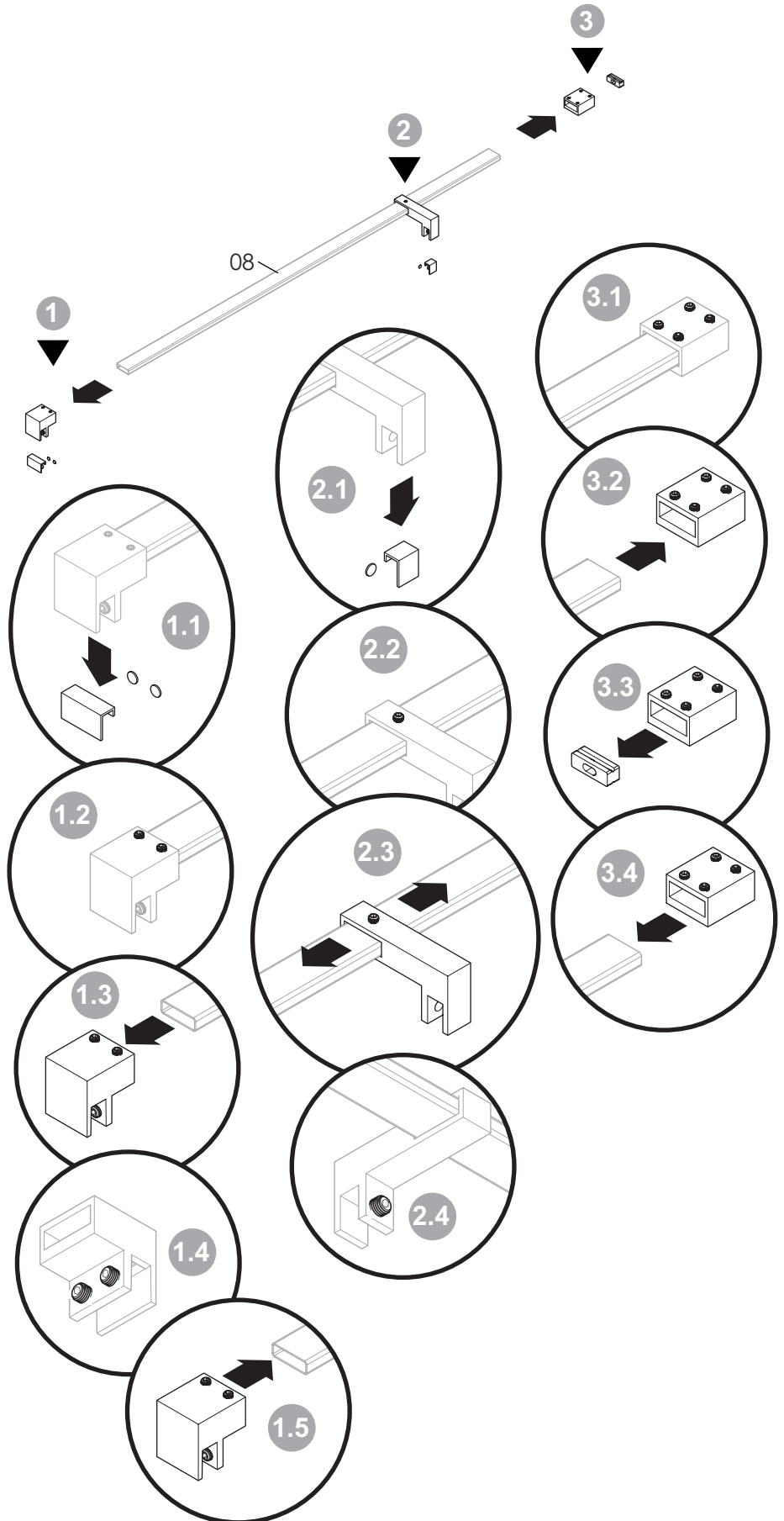
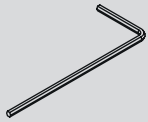


14

[08] x1

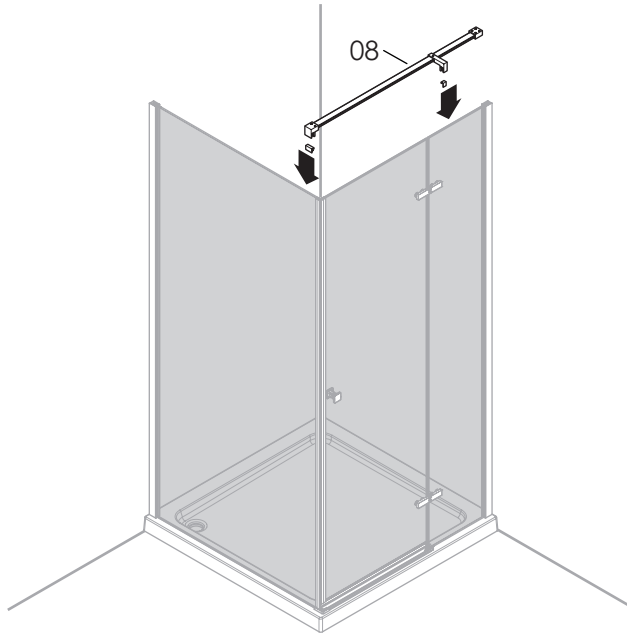
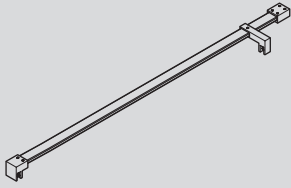


[21] x1

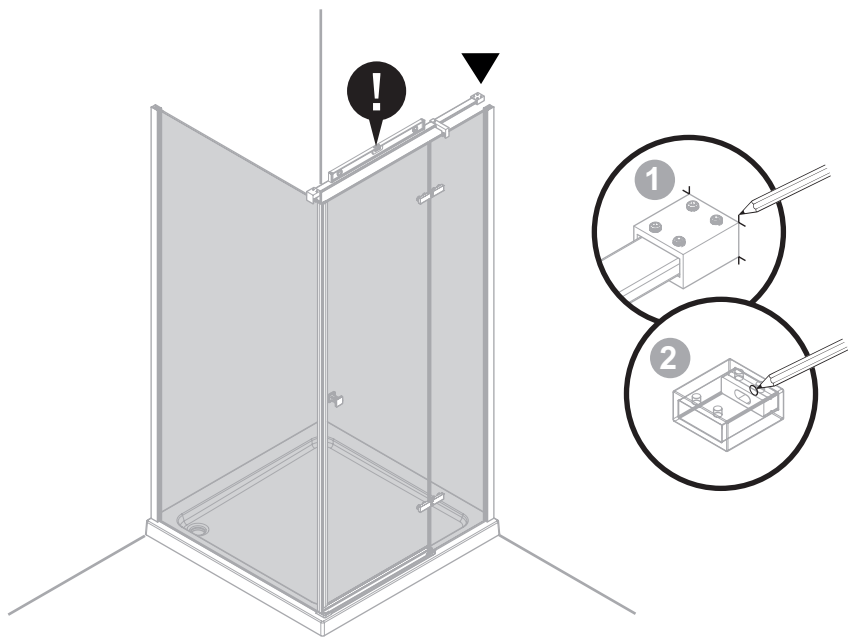
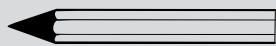


15

[08] x1

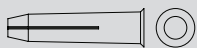


16

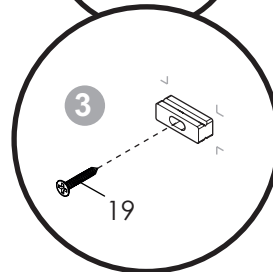
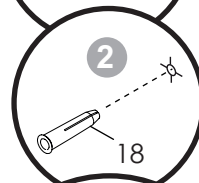
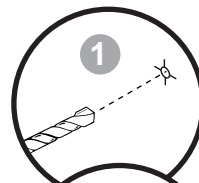
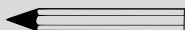
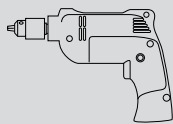
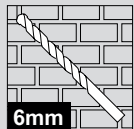


17

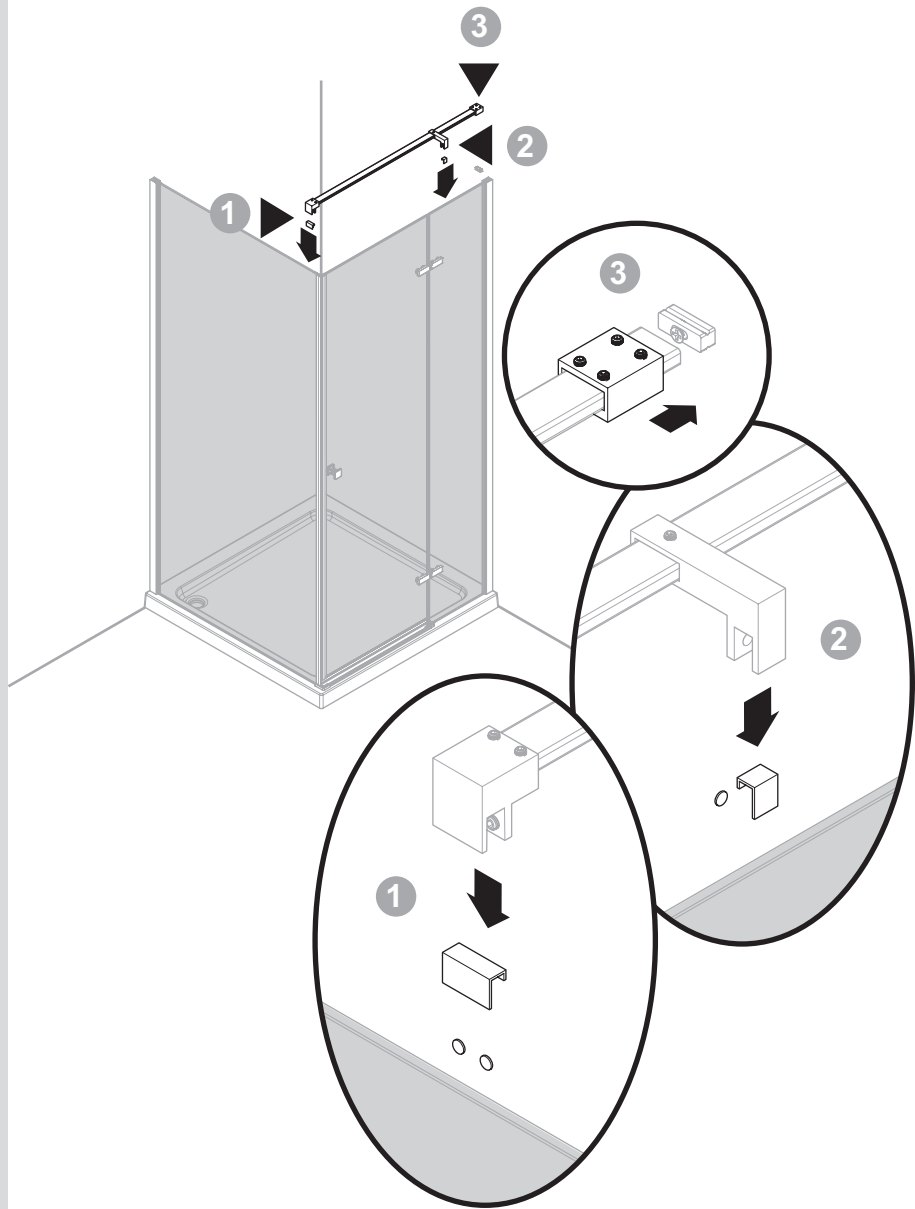
[18] x1



[19] x1

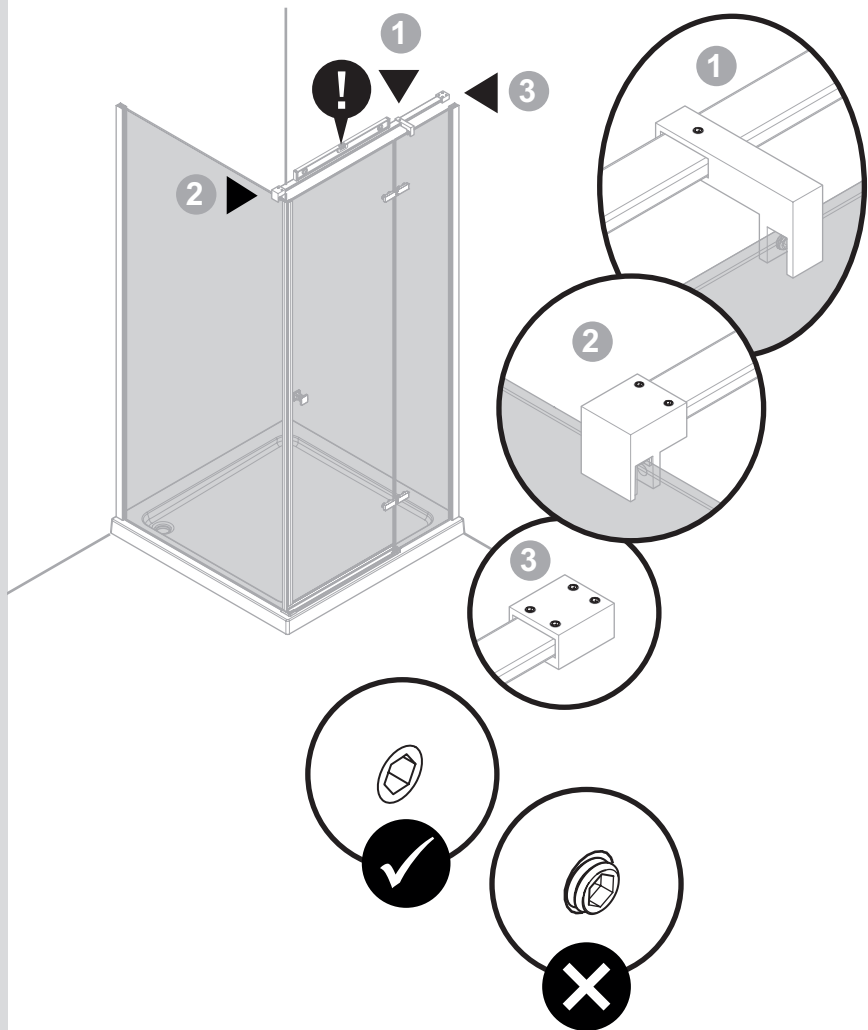
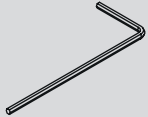


18

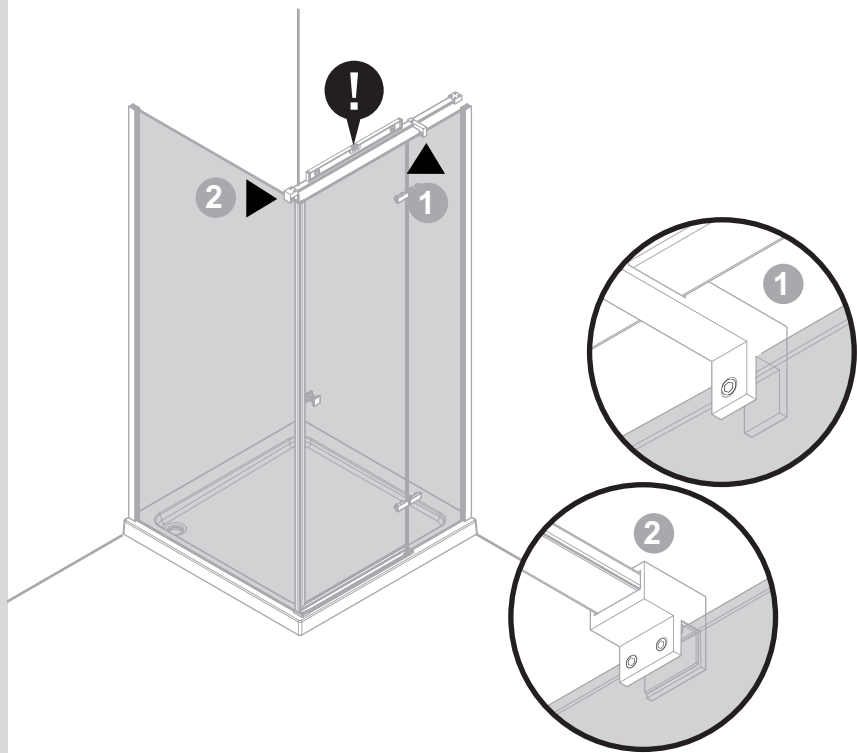
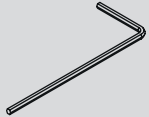


19

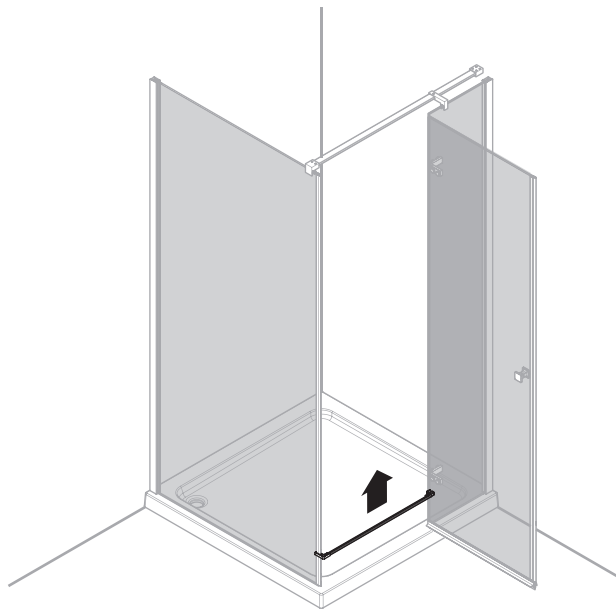
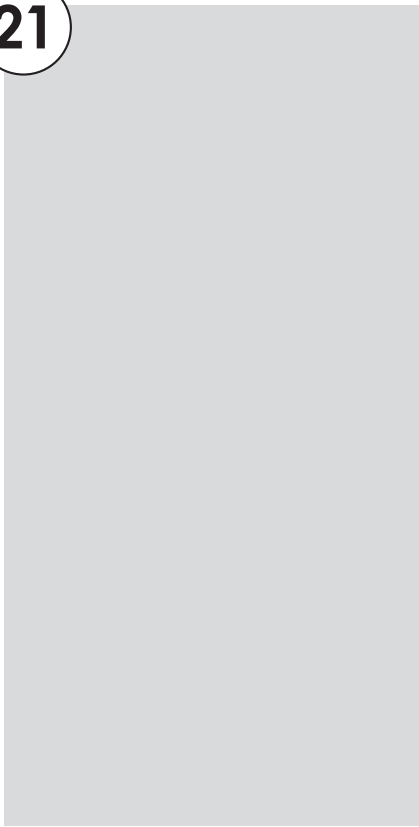
[21] x1



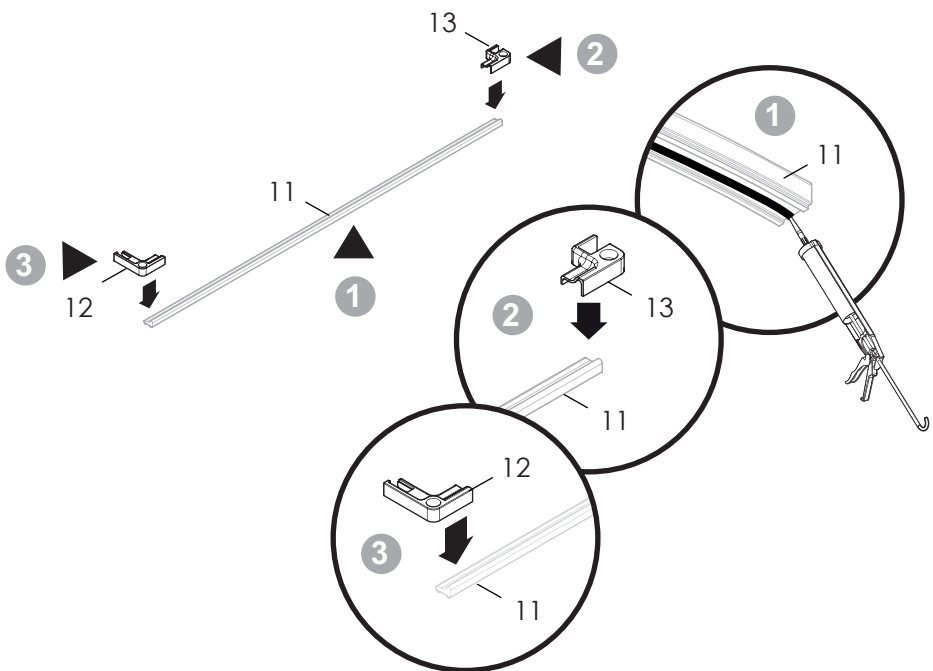
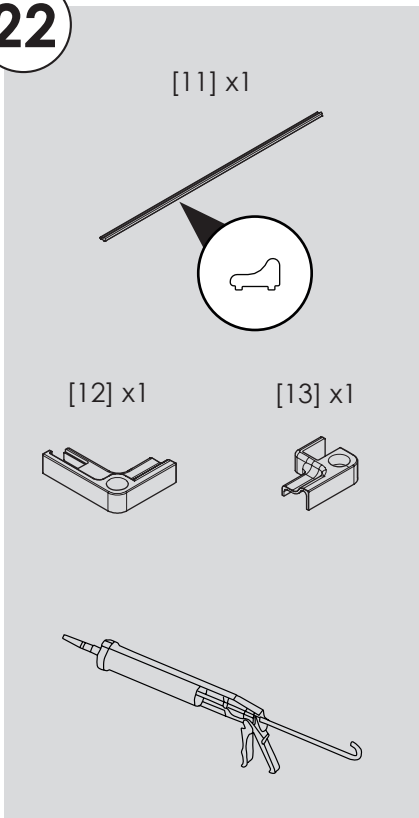
20



21

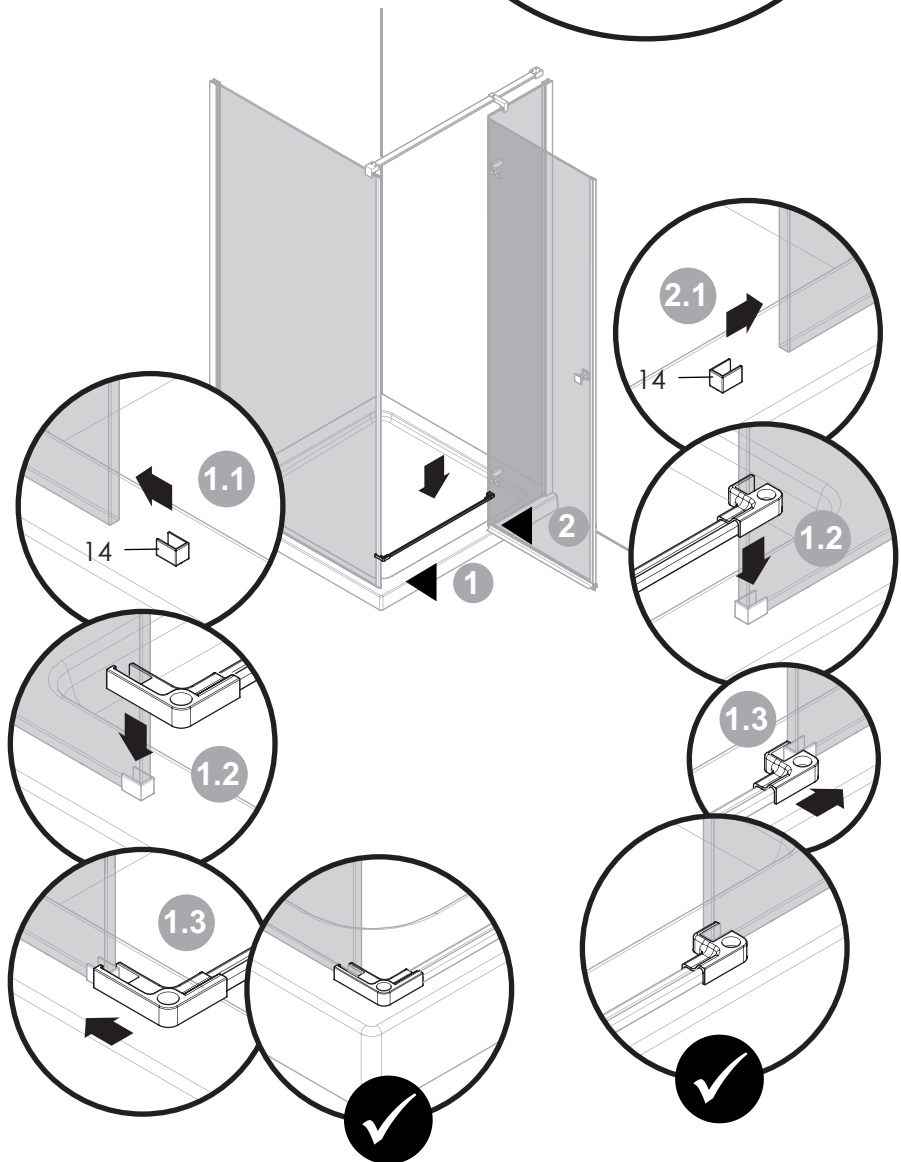
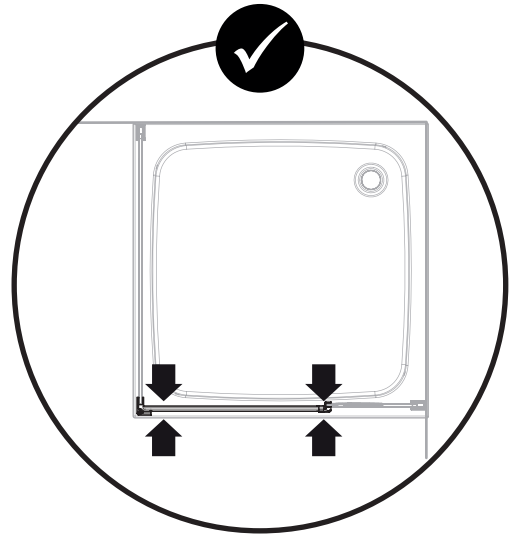
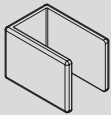


22



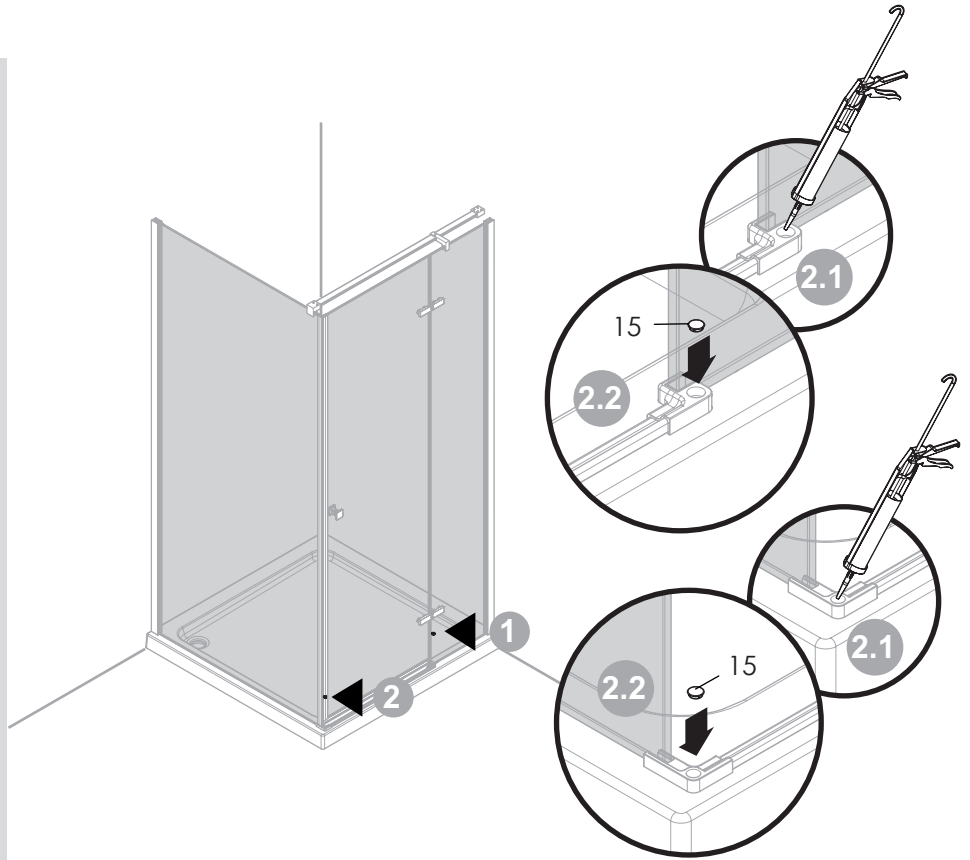
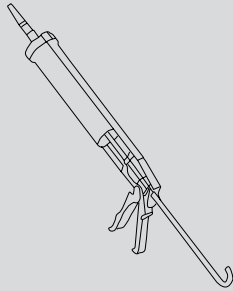
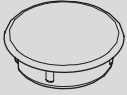
23

[14] x2



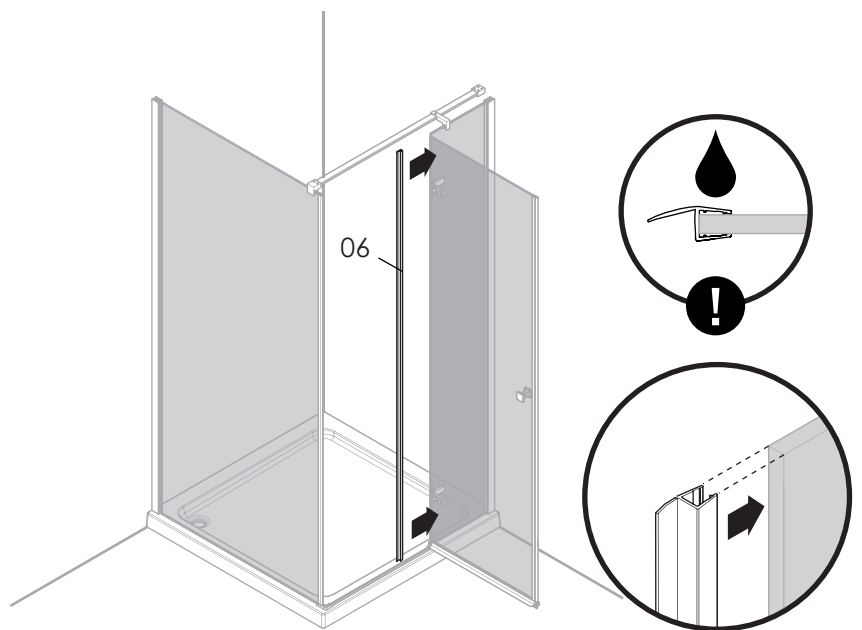
24

[15] x2

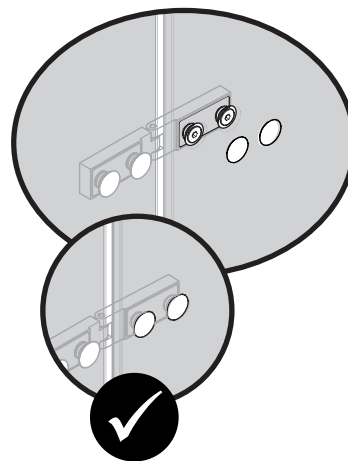
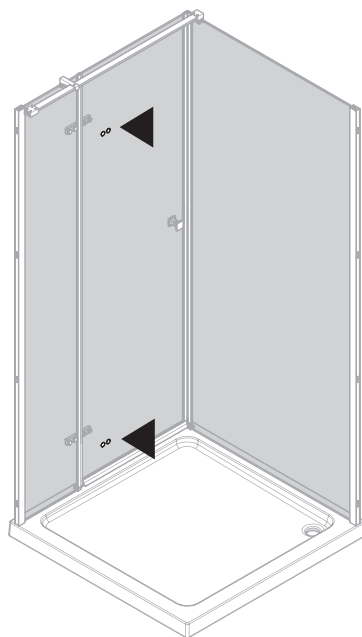
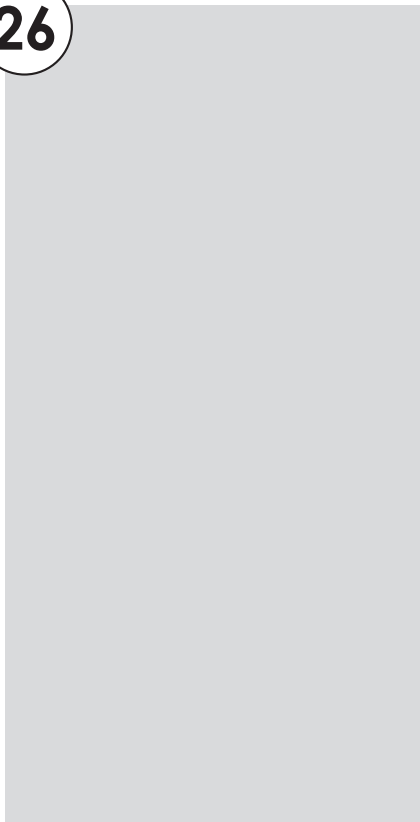


25

[06] x1

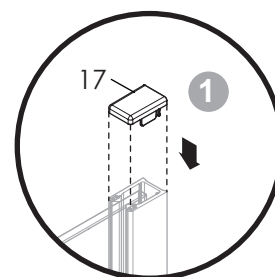
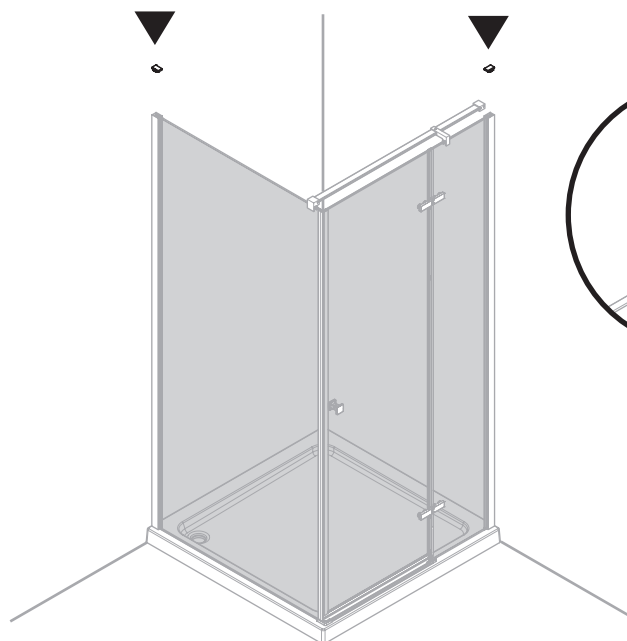
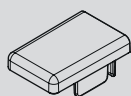


26

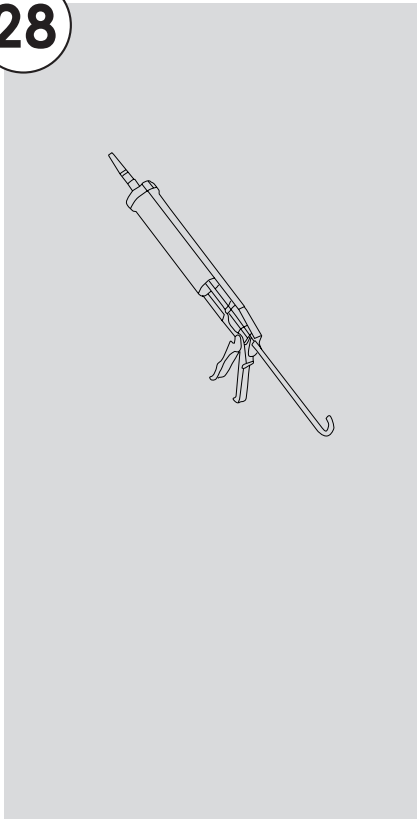


27

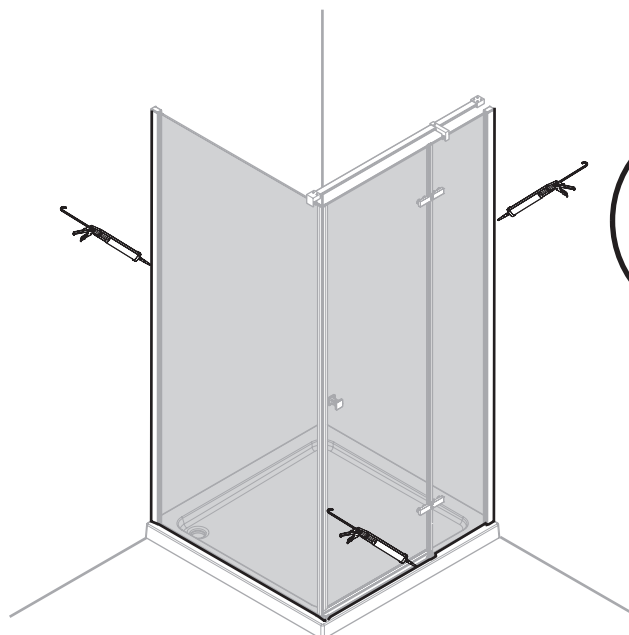
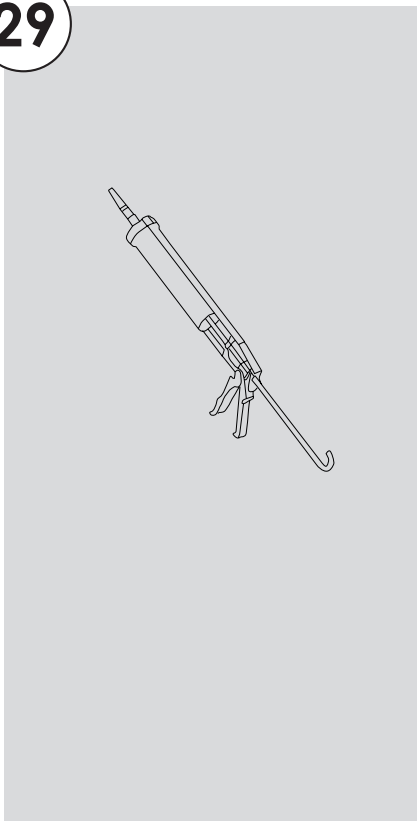
[17] x2



28



29



Aqualux Products Ltd.

Brookfield
Harrowbrook Industrial Estate
Hinckley
LE10 3DU
United Kingdom