

320mm WALL SHOWER ARM INSTALLATION GUIDE

TECHNICAL SPECIFICATIONS:

Operating Pressure:

Min: 35kPa/0.35bar

Max: 1000kPa/10bar*

Opt: 100kPa/1bar – 500kPa/5bar

Operating Temperature:

Hot: Max 80°C*

Cold: Min 5°C

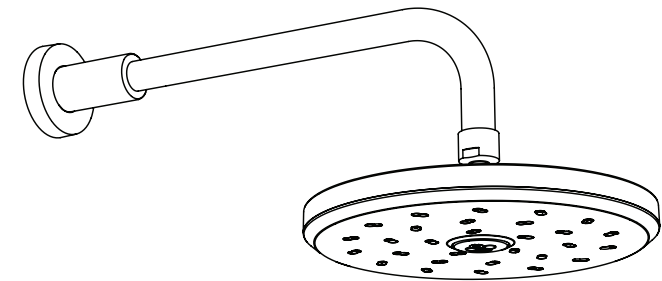
Inlet Connections:

All ½" BSP

**Regional specific regulations apply.*

Please refer to your warranty statement at

www.methven.com



(Head not supplied)

Methven warrants this product against manufacturing defects and that it is suitable for use under the general operating conditions specified in this instruction sheet. However, regional regulations apply and may affect your warrant. Please refer to **www.methven.com** or call customer service for full details.

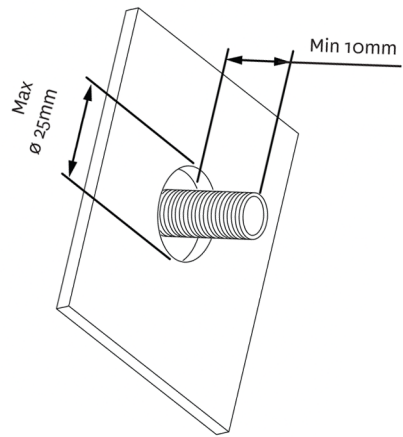
New Zealand
0800 804 222

Australia
1300 638 483

United Kingdom
0800 195 1602

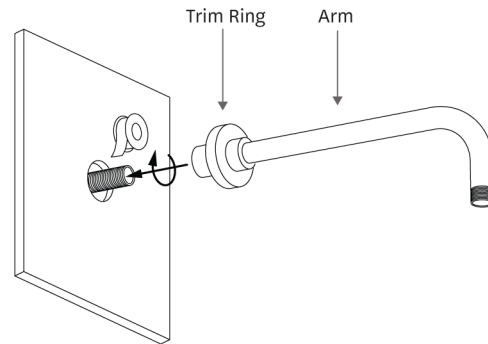


1.



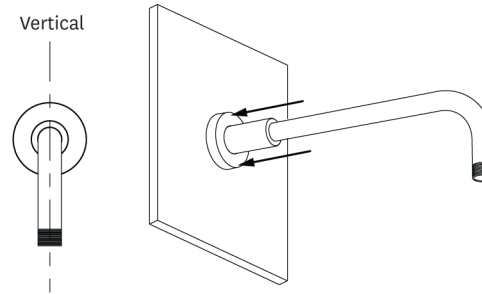
Install a 1/2" male thread connection at the desired height on wall, ensuring that a minimum of 10mm of thread protrudes past the finished wall.

2.



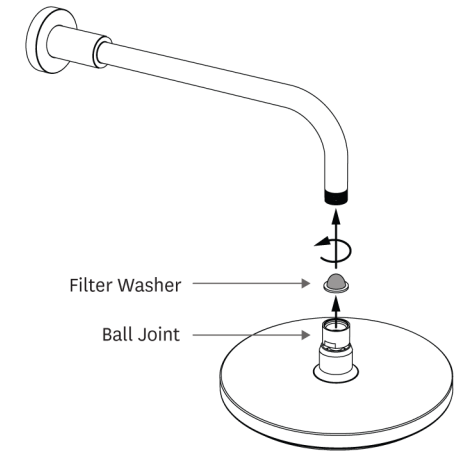
Slide chrome trim ring onto the appropriate end of the arm. Screw the arm onto the 1/2" connection using plumbers tape or similar to ensure a reliable seal.

3.



Position the arm vertically and push trim ring into place.

4.



Screw the desired showerhead onto the wall arm ensuring a seal.

5.



Tilt and rotate the shower head to the desired position.

CLEANING

To clean the chrome-plated surfaces use a soft cloth, soap and warm water. Never use cleaning agents that contain a corrosive acid or a scouring additive.