

TECHNICAL DATA SHEET

Structure 550mm SCT STD Depth Basin - SCSB453S

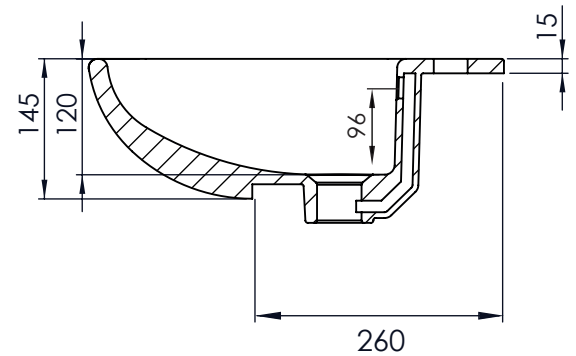
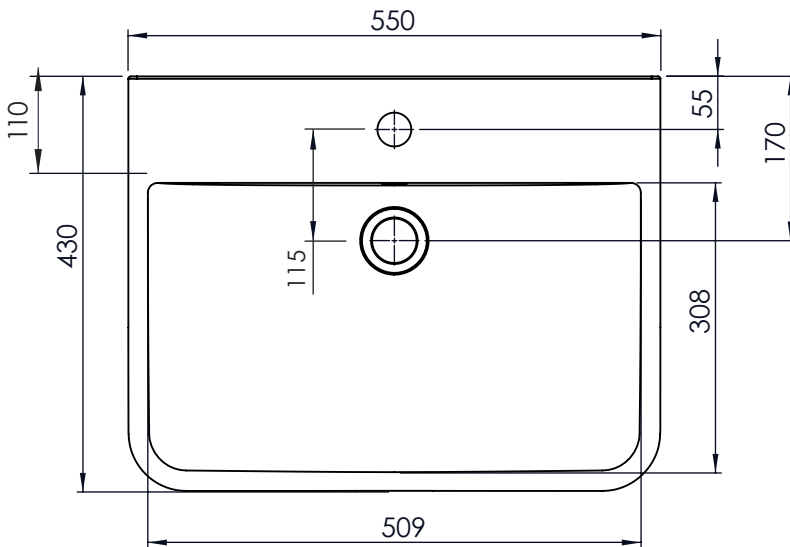
TAVISTOCK

NO.	Description	Product Code	Template included	Gross Weight
I	550mm Semi Recess Basin - Standard Depth	SCSB453S	YES	14KG



DIMENSIONS

DIAGRAMS NOT TO SCALE | ALL DIMENSIONS IN MM TOLERANCE OF ± 5 MM
ALL PRODUCTS CONFORM TO BRITISH STANDARDS



*Dimensions are subject to change, customers are advised to measure actual product before commencing installation.

**Fixing point dimensions are for guidance only. The positions of fixings must be checked when product is received.

FAQs

Q - Is a fitting template supplied?

A - Yes : Cutting dimensions can be found on the template.

Q - How is the basin fixed to the furniture?

A - Fix to workspace with silicone as per instructions supplied.

Key Dimensions Descriptions	Key Dimensions (mm)
Internal Bowl Depth	120mm
Internal Bowl Front to Back	308mm
Internal Bowl Left to Right	510mm
Tap Ledge	110mm
Taphole Centre to Waste Centre	115mm
Taphole Centre to Back of Basin	55mm
Waste Centre to Back of Basin	170mm
Height of Basin	145mm
Basin Overhang	170mm