

# Technical Data Sheet

## Revive Bath Shower Mixer - TRV42

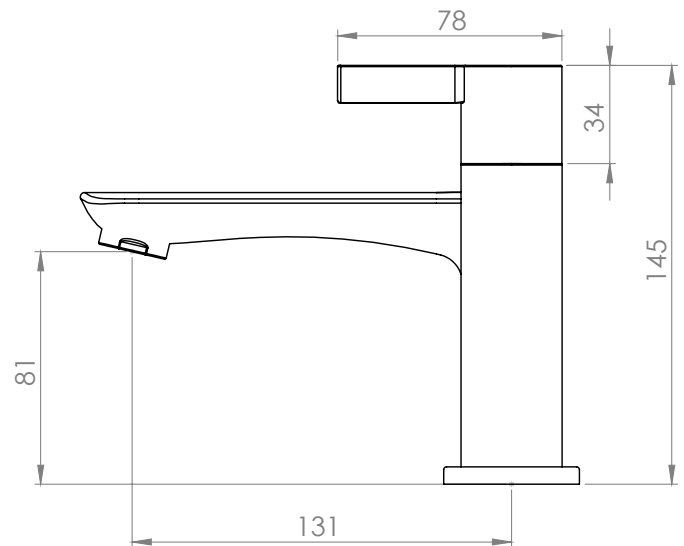
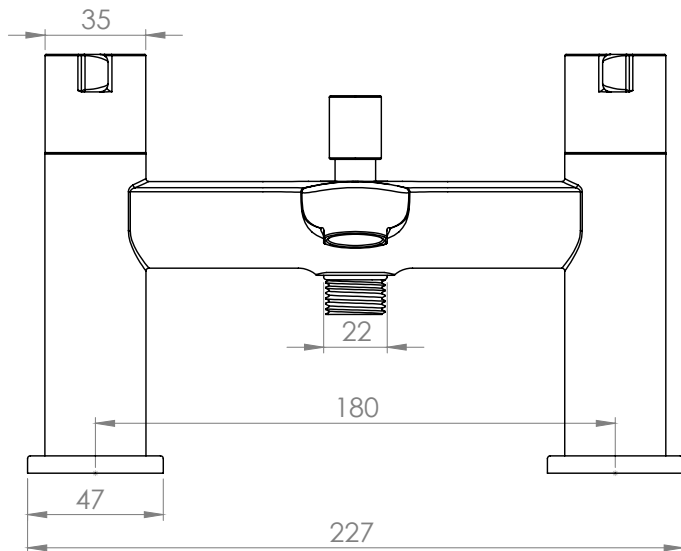
No.	Description	Code	Fixings Included
1	Revive Bath Shower Mixer	TRV42	YES



Min Pressure:	0.3bar
0.2bar	11.7 litres / min
0.3bar	12.6 litres / min
0.4bar	14.0 litres / min
0.5bar	15.5 litres / min
1bar	23.2 litres / min
2bar	32.5 litres / min

### Dimensions - TRV42

Diagrams not to scale. All dimensions in mm (tolerance of +/-5mm)



\*Dimensions are subject to change, customers are advised to measure actual product before commencing installation.

### FAQs

**Does the tap come fitted with an aerator?** Yes.

**What size plumbing fittings are needed for the threaded legs?** This product will work with standard 3/4" plumbing fittings.