

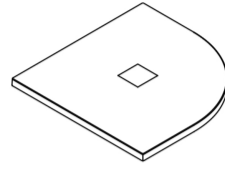
naturals

BY **JT**

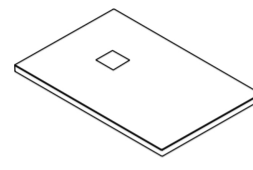
INSTALLATION INSTRUCTIONS

Recessed Installation

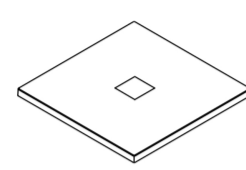
Cut the flooring after step 1, allowing clearance on the width and length of the tray to allow the tray to slot into position. Lower the flooring to the desired level. Ensure the joists are adapted to give complete support to the floor and shower tray, then proceed from step 2.



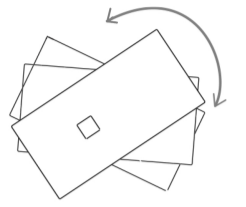
Quad



Rectangle

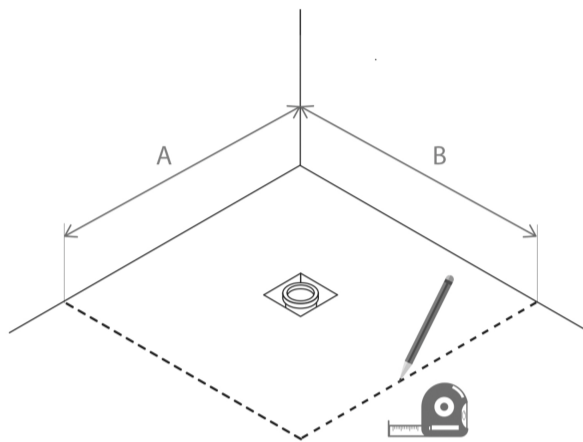


Square

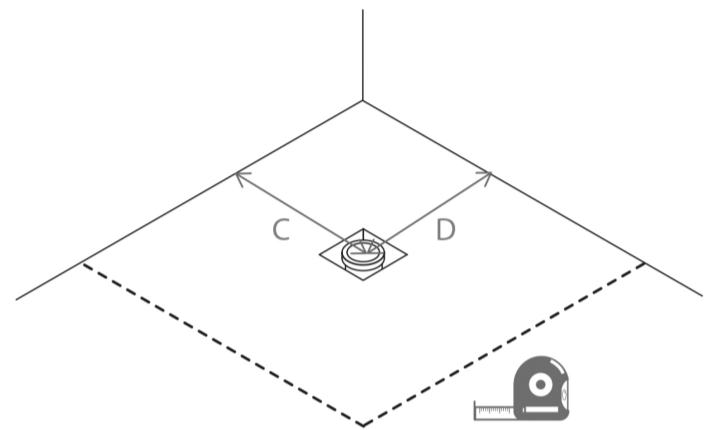


Reversible

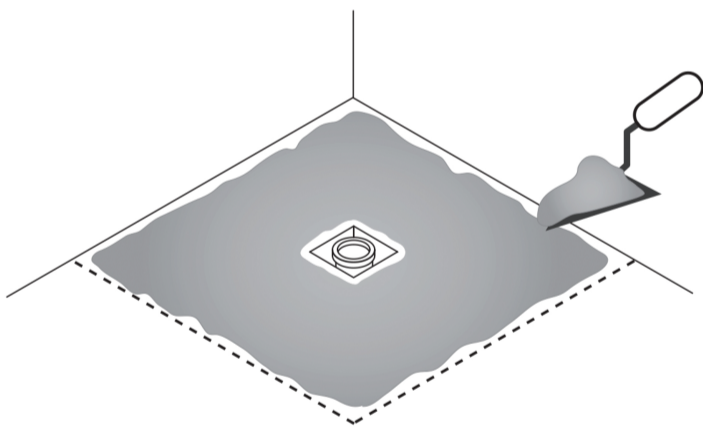
- 1** Place the shower tray on the floor in the chosen position and mark around the shower tray perimeter (A and B). Be careful not to damage the shower tray edges.



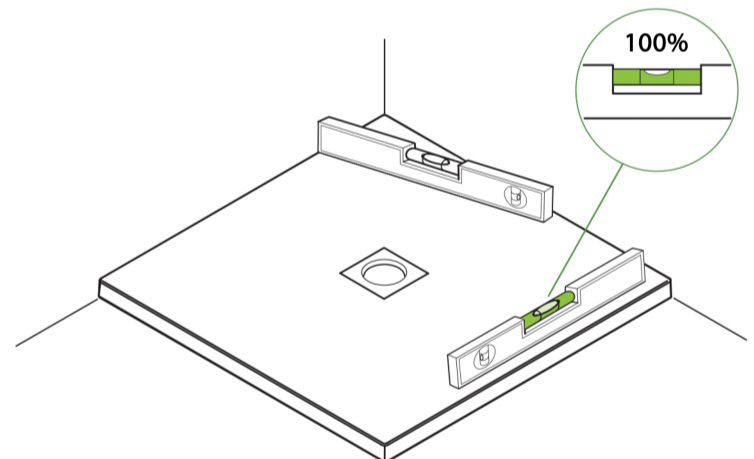
- 2** Ensure the floor is level, clear of debris, moisture resistant and fully supported. Mark the plug hole location on the floor (C and D) in order to facilitate the subsequent installation of the waste unit. Remove the shower tray and connect the waste to the sewage pipe.



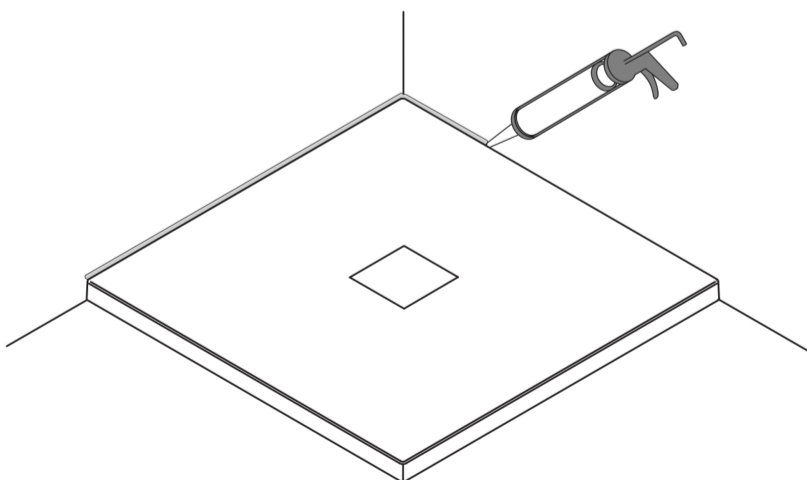
- 3** Screed inside the marked area with a cement mortar or cement based tile adhesive, ensuring full and even coverage. Ensure sufficient screed is used to allow for the shower tray to be levelled (step 4).



- 4** Carefully lower the shower tray onto the screed, making sure that the waste hole aligns with the waste unit. Make sure the waste seal is free of debris. Ensure the tray is perfectly level across all top 4 edges.



- 5** Proceed with the fixing of the waste and trap following the manufacturer's instructions. Apply a mould resistant silicone sealant to the perimeter of the shower tray, in contact with both the wall and the floor, to completely seal the edges of the tray.



WARNING:

- Please note that although these instructions are comprehensive, we always recommend that a technically competent installer undertakes the installation.
- Your shower tray may be heavy and, to avoid injury, should always be considered a two person lift.
- When handling your shower tray, take care not to damage the bottom edges. When installing, take particular care to protect the visible surfaces from impact damage or abrasions.
- Check that the shower tray is the colour, size, shape and type you require. (The sizes indicated may vary by +/- 3mm)
- Unpack and check for any damage. Do not install if you are not satisfied then contact your local supplier.
- If you install this shower tray in conjunction with a steam unit, you must ensure that the steam outlet is a minimum of 350mm from the top of the tray.
- The shower tray should be cleaned regularly with warm, soapy water only and dried with a soft cloth. Never use scourers, abrasives, bleach or other chemical cleaners.

FITTING OF THIS TRAY WILL BE TAKEN AS ACCEPTANCE OF ITS QUALITY.

Shower Tray Customer 25 year Guarantee

Just Trays Ltd guarantees all Naturals by JT shower trays against faulty materials or manufacture for a period of 25 years from date of installation, provided that it has been installed, used and maintained in accordance with the manufacturers instructions. If in our opinion the product fails under those circumstances, Just Trays Ltd will undertake to repair or replace the product at our option. Should a claim arise, we request that the following conditions be satisfied. 1. Proof of purchase at the time of claim. 2. The product has been fitted/installed in accordance with our fixing instructions, local by laws and general good plumbing practice. 3. The product has been maintained and cared for in accordance with our instructions. If in our opinion the product has been modified, misused, neglected, wilfully or accidentally damaged, we can accept no responsibility for failure. 4. Just Trays Ltd must be given the opportunity to inspect the product in the installed condition. Should Just Trays Ltd carry out work as a result of a claim but subsequently it is revealed that the product has been abused or improperly installed, we reserve the right to charge the customer for all expenses incurred. The liability of Just Trays Ltd is limited to the product supplied by Just Trays Ltd, and does not extend to consequential loss or damage arising from the defective product. All aftersales enquiries must be directed to the stockist where the product was purchased. Just Trays Ltd believes in continuous improvement. If in our opinion the product has failed under the terms of the guarantee and a replacement is offered but identical goods are no longer available, Just Trays Ltd will replace it with our nearest equivalent product. This guarantee, which is effective for products purchased after September 2009, states our entire liability and is offered to customers acquiring our products as consumers, not in the course of trade or business. This guarantee does not affect your statutory rights. This guarantee is only applicable in the UK and Republic of Ireland.