

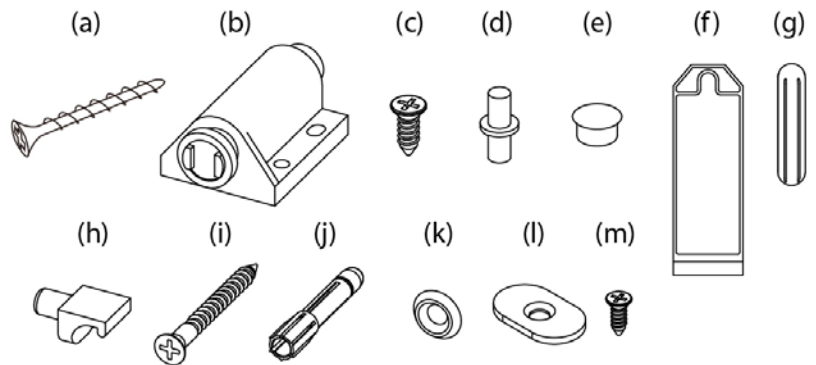
Thank you for purchasing this Croydex product. Please follow the fixing and care instructions to ensure that your bathroom product is fitted safely and that it retains its high quality finish. **Please retain this leaflet for future reference.**

**This instruction leaflet applies to the following product:**

WC257122 (White) Small Single Door Cabinet

### Fixing Pack Contents

- (a) 8 x Fixing screws
- (b) 1 x Magnetic catch
- (c) 2 x Magnetic catch screws
- (d) 2 x Mirrored door pivot pins
- (e) 8 x Screw caps
- (f) 1 x Glue sachet
- (g) 5 x Wooden dowels
- (h) 4 x Shelf supports
- (i) 2 x Wall fixing screws
- (j) 2 x Wall plugs
- (k) 2 x Washers
- (l) 1 x Magnetic door plate
- (m) 1 x Magnetic door plate screw



### Tools Required

Drill; 6mm Masonry Drill Bit; 6mm Ceramic Drill Bit (optional); Cross Head Screwdriver; Large Flat Head Screwdriver; Bradawl; Pencil, Spirit Level.

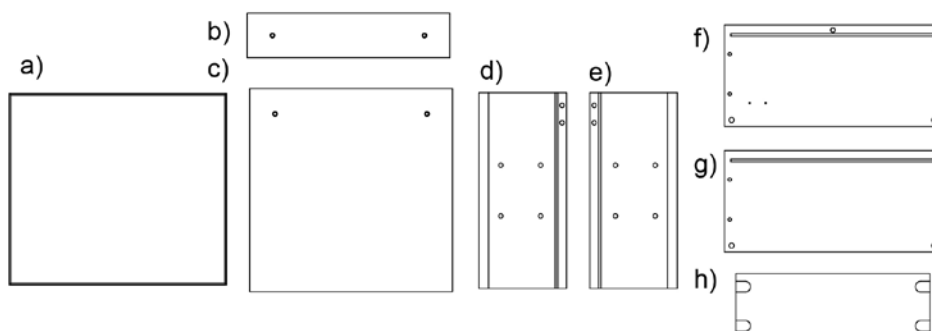
**KEEP DIY TOOLS OUT OF THE REACH OF CHILDREN**

### Home Safety Advice

- It is recommended that two people fit the cabinet to ensure that it is fitted safely.
- Always take care when using an electric drill, particularly in the bathroom. Always check for hidden cables and pipe work before drilling and take extreme care if there is any water in the working area. It is advisable to use a residual current circuit breaker (RCCB).
- Always wear suitable eye protection when drilling.
- If the product is to be fitted on a ceramic tiled wall, a ceramic drill bit should be used. Always ensure that the drill hole passes through the central tiled area rather than through the grouted area. To prevent unnecessary damage to the tile, mask the area around the hole with tape before drilling.
- Do not strike the product with hard or sharp objects.
- Do not overload the cabinet. Maximum safe working load is 10kg evenly distributed if mounted on to a solid wall. If mounted on to a cavity wall reduce the load to 5kg evenly distributed.

### Component Key

(a) Mirrored Door, (b) Strengthening Baton, (c) Backing Board, (d) Side Panel, (e) Side Panel, (f) Top Panel, (g) Base Panel, (h) Shelf.



## Assembly Instructions

Lay out all components so they are all clearly identifiable prior to assembly.

Remove excess adhesive with a damp cloth before it dries.

Support the door during assembly and do not allow the door to fall open, as this will damage the hinge.

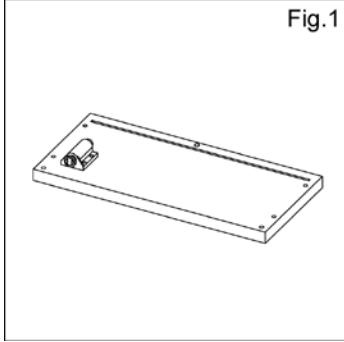


Fig.1

1. Mount the magnetic door catch onto the top panel. Use all four magnetic catch screws. Door catch must be fitted to opposite side of door hinge. (The magnetic door plate must be secured to the back face of the mirrored door to ensure that the catch works correctly)

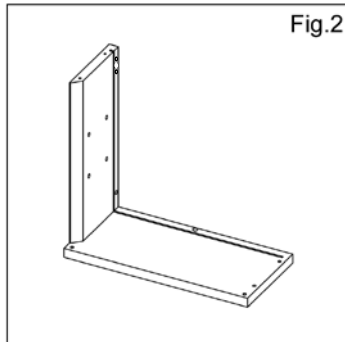


Fig.2

2. Secure side panel to base panel using two fixing screws. (Screws mounted from underside of base. To improve strength place small amount of glue on underside of side panel before securing into position.)

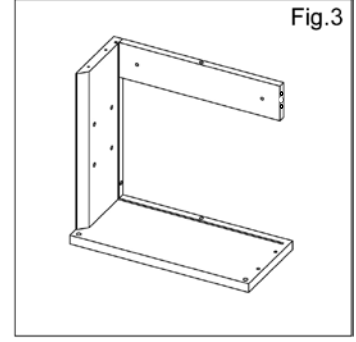


Fig.3

3. Place two wooden dowels into each end of the strengthening baton. Align the dowels and locate into side panel. (Wooden dowels must be glued into position.)

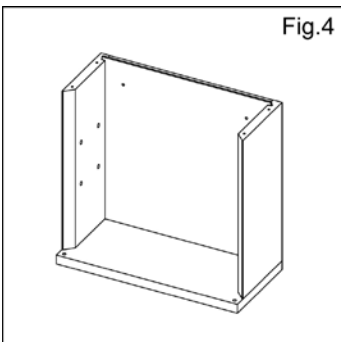


Fig.4

4. Place the second side panel onto the wooden dowels protruding from the strengthening baton and secure side panel to base panel using two fixing screws. (To improve strength place small amount of glue on underside of side panel before securing into position. Mount screws from underside of base.) Slide the backing board into the two recesses evident on the two sidewalls. Locate into the base panel.

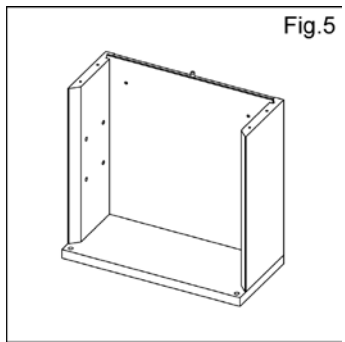


Fig.5

5. Place one wooden dowel into the top of the hanging baton. (Wooden dowel must be glued into position.)

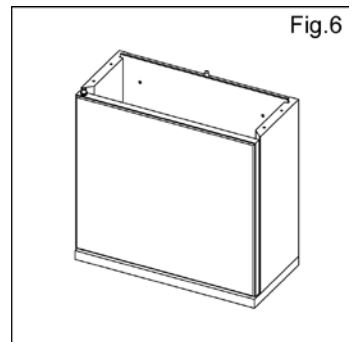


Fig.6

6. Place one of the door pivot pins into the hole recess situated on the base. (Hinge grommets need to be located in the recess of the top and base panels before inserting the pivot pin.) Locate mirrored door onto pivot pin and place the remaining pivot pin into the top of the door before securing the top panel.

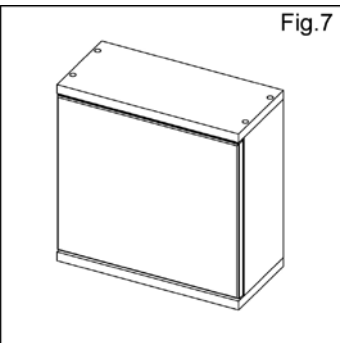


Fig.7

7. Place top panel onto cabinet carcass ensuring all screw holes, recesses, hinge grommets and dowels are accurately aligned with assembled cabinet. Secure top panel to both side panels with the four remaining fixing screws.  
**Important: Please allow the glue to dry prior to fitting the cabinet.**

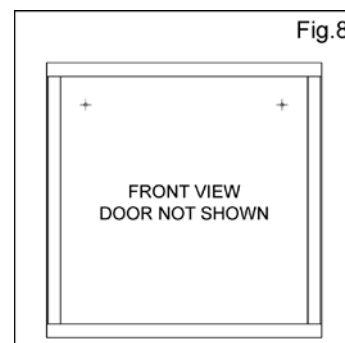


Fig.8

8. Hold the cabinet against the wall in its desired location and check that it is straight and level. Open the door(s) and mark the wall using the holes in the back of the cabinet as a guide. Drill 40mm deep holes in marked positions using a 6mm masonry drill and insert wall plugs. Align the holes in the back of the cabinet with the wall plugs. Insert the screws through the washers and holes in the back of the cabinet and screw in position.

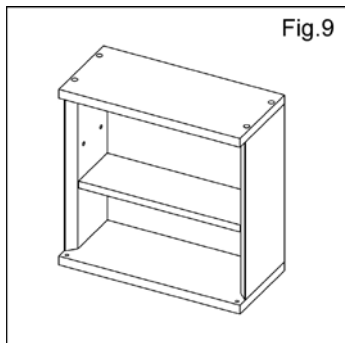


Fig.9

9. Insert shelf supports into hole recesses and ensure all supports are aligned accurately. Place the shelf in the cabinet and lower onto the shelf supports. (Door not shown)

## Product Care

To retain the best quality finish, clean product regularly with a soft cloth and mild detergents. Do not use abrasive or chemical cleaners, as these will damage the product.

Do not slam the door open against its mechanical limits, as this will damage the hinge.

For details of other items in the Croydex range please visit our website: [www.croydex.com](http://www.croydex.com)

Croydex Limited, Central Way, Andover, Hants, SP10 5AW, UK

CAB 022 R06