

Technical Data Sheet

Strike Mini Basin Mixer - TSE61

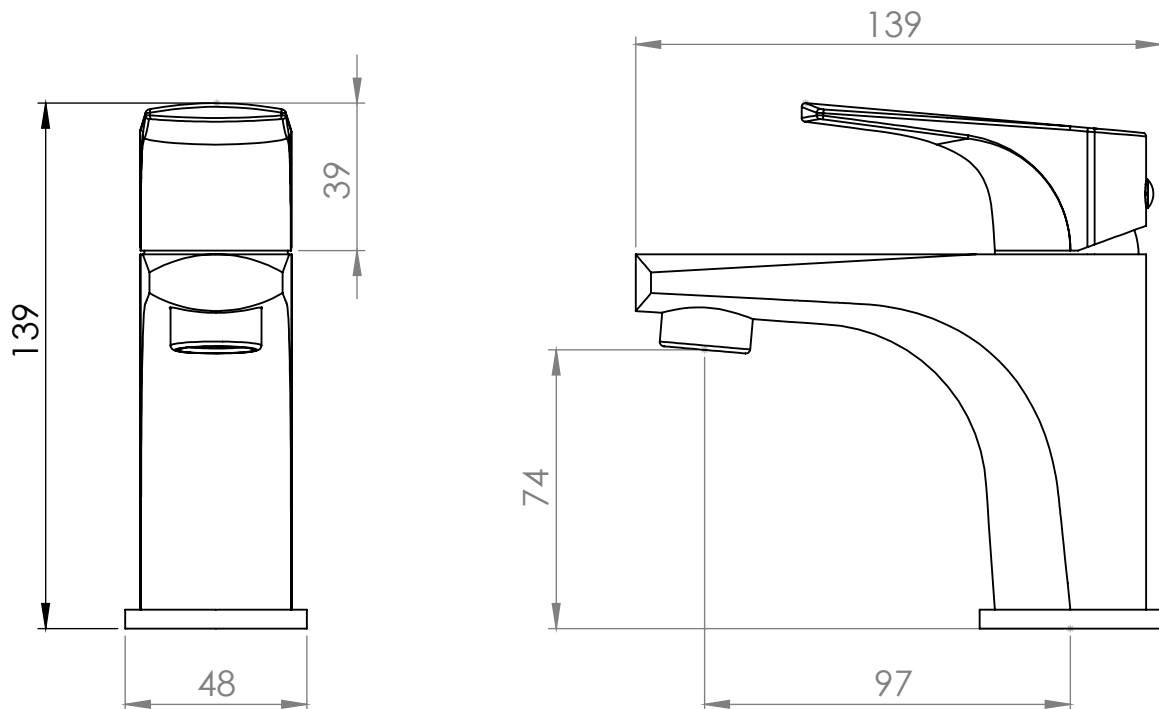
| No. | Description | Code | Fixings Included |
|-----|-------------------------|-------|------------------|
| 1 | Strike Mini Basin Mixer | TSE61 | YES |



| | |
|---------------|-------------------|
| Min Pressure: | 0.3bar |
| 0.2bar | 4.7 litres / min |
| 0.3bar | 5.5 litres / min |
| 0.4bar | 6.0 litres/min |
| 0.5bar | 6.8 litres / min |
| 1bar | 9.2 litres / min |
| 2bar | 12.5 litres / min |
| 3bar | 15.2 litres / min |

Dimensions - TSE61

Diagrams not to scale. All dimensions in mm (tolerance of +/-5mm)



*Dimensions are subject to change, customers are advised to measure actual product before commencing installation.

FAQs

What is the size of the tap tail connection? The tap tails have a standard 1/2" BSP fixing.

What bore is the tap tail? The tails have a 10mm internal bore.

What length are the tap tails? The tails are 300mm in length.

Does the tap come fitted with an aerator? Yes.