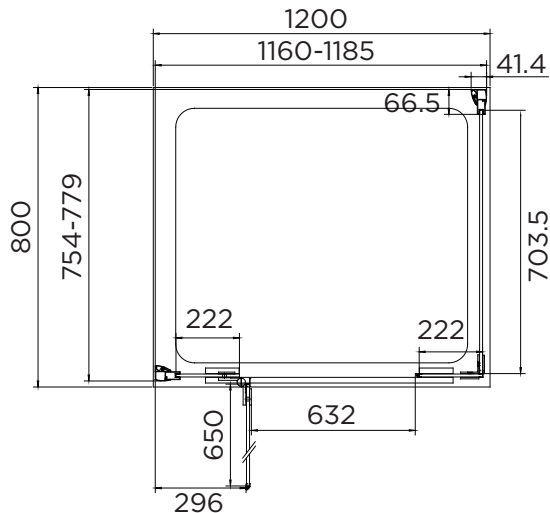


SPECIFICATION  
 inline  
 HINGE DOOR 2 SIDED

RANGE	INLINE
PRODUCT	HINGE DOOR 2 SIDED
CODE	AQ1020S
SIZE	1200x800
PROFILE COLOUR	SILVER
GLASS THICKNESS	8mm
GLASS FINISH	CLEAR
GLASS TREATMENT	CLEAN & CLEAR™
HEIGHT	1950
ADJUSTMENT IN RECESS	N/A
ADJUSTMENT WITH SIDE PANEL	1160-1185(DOOR)/754-779(S.P)
OPTIONAL SIDE PANEL	YES
APERTURE	632
GUARANTEE	LIFETIME
CE	EN14428
GLASS BS EN	EN12150-1T
PROFILE MATERIAL	ALUMINUM/6463#
HANDLE MATERIAL	STAINLESS STEEL
ROLLER MATERIAL	N/A
QUICK RELEASE ROLLERS	N/A
FIXED PANEL SIZE	222x2/703.5(S.P)
MOVING PANEL SIZE	650
PRODUCT HAND	UNIVERSAL
PRODUCT WEIGHT	86KG
PACKAGED DIMENSIONS	2030x786x170
BARCODE	5031978043350



\*All shower enclosures carry a Lifetime Guarantee when fitted with an Aquadart shower tray, a 10 year Guarantee will be given when fitted with any other manufacturer's tray.

To register your Guarantee visit: [www.aquadart.co.uk](http://www.aquadart.co.uk) | Spare Parts available at: [www.aprilaquadartspares.co.uk](http://www.aprilaquadartspares.co.uk)

All measurements in mm and are nominal