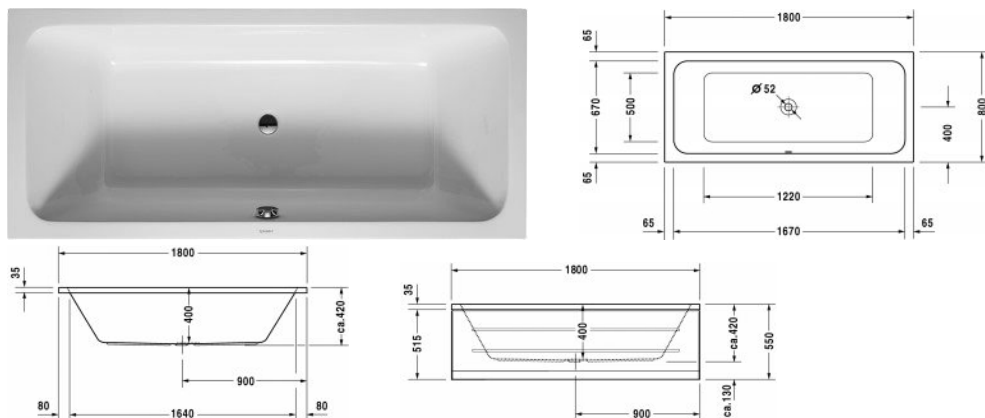


**Bathtub # 700101000000000**

|< 1800 mm >|



Bathtub	Dimension	Weight	Order number
rectangle, with two backrest slopes, central outlet, sanitary acrylic , Filling capacity 150 l			
<b>Colors</b>			
00 White Alpin			
<b>Variant</b>			
built-in, Basic model	1800 x 800 mm	23.500 kg	700101000000000
<b>Suitable products</b>			
Styrene Support Box for # 700101,			790475
Bathtub anchors for mounting and support of D-Code/D-Neo/Duravit No.1 bathtubs and D-Code shower trays, 3 pieces,			790125
Waste and overflow chrome, for D-Code bathtubs with central outlet, outlet diameter 52 mm, length of bowden cable 1000 mm,			790226
Rubber profile for noise reduction, length: 3300 mm, Width: 70 mm,			790126
Support frame for D-Code/D-Neo/Duravit No.1 bathtubs and D-Code shower trays, with length > 1000 mm, height-adjustable from 115 - 180 mm, height-adjustable from 135 - 165 mm if a noise reduction set for shower trays is used, 2 pieces,			790127
Panel front, for bathtubs, *, 1800 mm,			701042
Panel right, for bathtubs, *, 800 mm,			701045
Panel left, for bathtubs, *, 800 mm,			701048
Noise reduction set for acrylic bathtubs ****, Contents: noise reduction bathtub anchors, bitumen pads, rubber profile # 790126,			791368

**Bathtub # 700101000000000**

**|< 1800 mm >|**

---

*All drawings contain the necessary measurements which are subject to standard tolerances. Exact measurements, in particular for customised installation scenarios, can only be taken from the finished ceramic piece.*