

# **HARTLAND APRON FRONT BELFAST SINK**

**RANGEmaster**  
Sinks & Taps

## **⚠ IMPORTANT!**

- If you are mounting your sink into a granite or marble worktop you **MUST** have a fabricator cut the hole for you.
- Due to dimensional tolerances within all ceramic sinks these instructions should be used as guidelines only.
- The position of your sink will be determined by the relationship of the sink edges to cabinet gables, supports and tap location.
- Ensure current plumbing fixtures are long enough to reach the new sink and it's location.
- If unsure of fitting your sink we recommend seeking the advice of a professional fitter. Rangemaster will not accept responsibility for errors in countertop preparation or installation.
- Please **DO NOT** over tighten any fittings as this may cause the surface of your ceramic sink to crack.

## **Preparation**

1. Check the package for completeness, possible defects or any transport damage before installation commences. Installed faulty product will not be honoured by the warranty.
2. Check the supporting carcass and worktop is level left to right and front to back to ensure correct drainage of water.
3. Check that the surrounding furniture is the correct size and shape to accept this product and that no plumbing or wiring may foul the installation.
4. If replacing an existing sink, remove this product and clean the surrounding area, ensure the new sink will suit the existing cut out size and position, otherwise amend the cut out size accordingly.
5. Before creating the cut out in the worktop, carefully plan the positioning of the sink. Ensure that the position of the bowl, tap and overflows will not interfere with surrounding units or appliances. Check that the fixing clips will not foul carcass walls or supporting braces.
6. Carefully mark out the cut out using the provided technical drawing or template. Create the sink cut out in the worktop using a router or CNC cutter, follow the manufacturer's instructions taking care not to chip, crack or scratch the worktop/ if preparing the cut out in situ cover any open pipework to avoid any debris contaminating the water supply feeds.

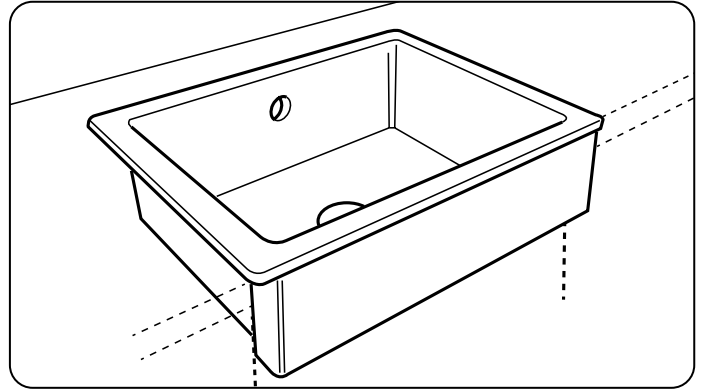
## **Parts and Contents**

1. Ceramic sink
2. Waste kit
3. Plumbing kit
4. Installation instructions

### **You will need:**

Electric saw with jigsaw fitment or a router.

Translucent silicone sealant.

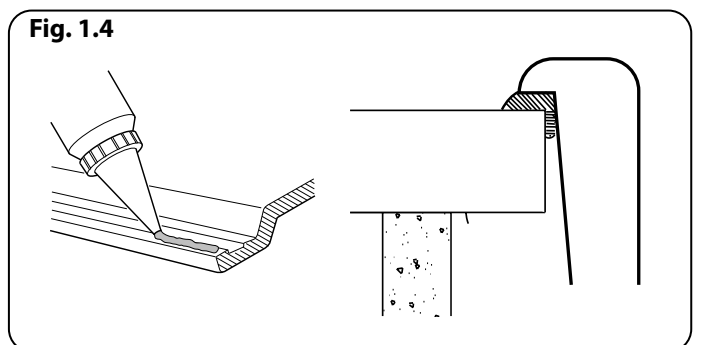
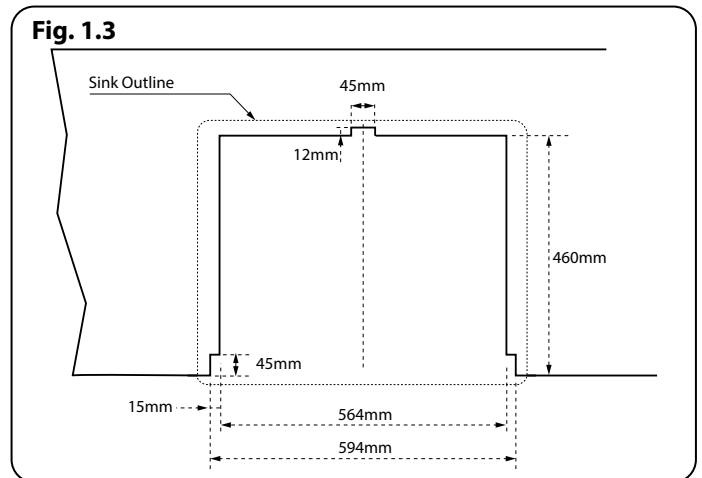
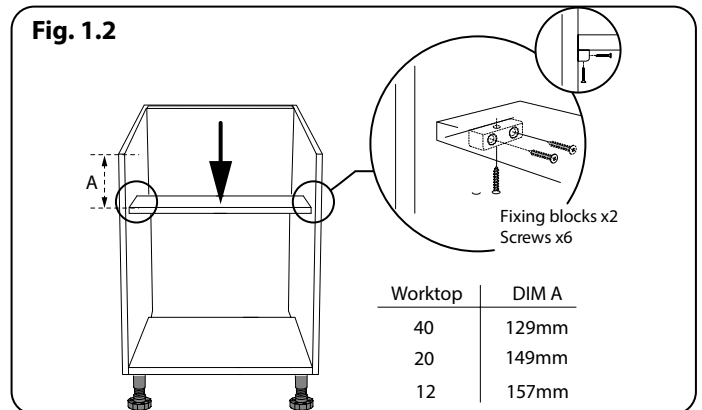
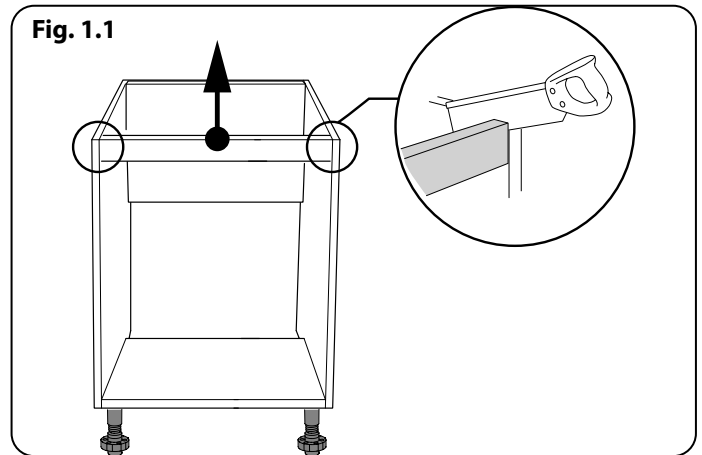


# Installation

**IMPORTANT:** Due to the larger dimensional tolerances on ceramic products we strongly recommend making the cut out in a scrap piece of material then checking it against the actual sink to be fitted. The cut out size should be adjusted to suit the sink tolerances and retested against the intended product before committing to cutting the final worktop. The 'nominal' suggested cut out size will align the cut out edge with the bowl edge radius.

Please **DO NOT** over tighten any fittings as this may cause the surface of your ceramic sink to crack.

1. The single bowl sink is designed to fit in a 600mm cabinet base unit. Upon installation carefully remove the cabinet rail from the carcass (**Fig. 1.1**).
2. Re-fit the cabinet rail to the base unit so it sits below the sink once fitted, this is to maintain the cabinets rigidity and not for the sink to rest on. Take note of your worktop thickness as this will determine the new rail positioning on the cabinet carcass. Set the rail inwards to allow for a front fascia to be fitted, position will be dependent on thickness of fascia to be used (**Fig. 1.2**).
3. Make the cut-out in a scrap piece of material using the cut-out template provided (**Fig. 1.3**). Check against the sink to be fitted and adjust accordingly to suit the tolerances, and then make the final cut in the worktop.
4. Install the tap to the worktop according to the manufacturer's instructions. Ensure the tap is secure as later access may be obstructed by the sink or plumbing.
5. Install the basket strainer waste kit and overflow.
6. Clean the cut-out perimeter of the worktop and underside perimeter of the sink with a degreasing cleaning solvent and allow to dry.
7. Apply a continuous generous bead of good quality silicone onto the rim around the upper perimeter of the sink (**Fig. 1.4**).
8. Gently secure the sink to the worktop and carefully align the sink rim with the cut out shape.
9. Where possible apply a 2nd and 3rd bead of silicone around the inside and outside of the adjoining sink and worktop. Any excess silicon can be cleaned away using a proprietary silicone cleaner. Allow the silicone to dry.
10. Attach the sink connecting pipework to the waste kit.
11. When the door is fitted to the cabinet a fascia rail will be required to fill the gap between the base of the sink and door, the final dimension will depend on the work top used, secure this fascia using brackets and screws.



## After installation

1. Clean the sink using the below care advise ready for use.
2. Check the sink is flat to the worktop, straight and level; pour a small amount of water onto the drainer (if applicable) to check for drainage.
3. Close the plug in the bowl, fill the sink with water below the overflow and check the water does not leak through or around the waste.
4. Close the plug in the bowl and fill the sink with water above the overflow, check the water exists through the overflow and does not leak from the overflow system.
5. Open the plug and let water drain from the bowl, check the connecting pipework does not leak.
6. If the sink is not to be used for a period after installation, cover the sink and tap to protect them from accidental damage during further surrounding installation work.
7. We recommend once fully set, the silicone seal should be checked for water tightness and rechecked periodically.

## Care and Cleaning

To maintain the appearance of this product, ensure that it is regularly cleaned using only a clean, soft damp cloth, a solution of warm water and a mild liquid non-antibacterial detergent may be used where necessary, and then the product rinsed thoroughly and wiped dry. Any other cleaning action will invalidate your warranty.

No household or industrial chemicals should come into contact with this product to prevent damage.

To prevent staining and discolouration of the product always rinse the sink with water after use, if you live in a hard water area we suggest you also wipe the sink dry.

**DO NOT** cut, slice or chop directly onto the sink as you may mark the surface finish. Avoid the use of plastic washing up bowls as engrained grit on the bowl underside may mark the surface finish. Avoid impacting the product with sharp or heavy objects, such as knives, pans or cooking pots and also avoid contact with abrasives. No hot objects should be placed directly onto the sink surface. Avoid contact with cycles of very hot and cold substances.

For further care and maintenance advice on removing stubborn marks and more examples of objects or actions likely to artificially shorten the life of this product please visit our website.

## 10 Year Warranty Terms and Conditions

In the unlikely event that you should experience any defect in the materials or workmanship of your new Rangemaster sink within 10 years of purchase, the manufacturer will repair or replace all or any part of the product that is defective, at their discretion. The manufacturer will not be responsible for any other consequential costs such as labour, removal or reinstallation of the sink or any other connected or related products.

This is provided that the product has been used for normal domestic purposes in the UK & Eire, and that the care, installation and maintenance instructions have been observed. The warranty extends to the original purchaser only. You should retain a copy of your dated invoice as proof of purchase to validate any claims under this guarantee.

Please note that this product is manufactured using natural materials so slight shade variations can occur. Marks, scuffs and scratches caused during installation or accidental damage are not covered by this guarantee. Neither are stains, discolouration or corrosion or any damage or defect caused by incorrect installation or abuse of the product.

We are continuously improving and developing our range of products, finishes & colours. Therefore, in the event of a valid claim, we may not be able to provide an identical replacement for the defective product throughout the guarantee period. Where an identical product is no longer available, we will supply the nearest equivalent from our then current product range. In assessing your claim, we **MUST** be given the opportunity to inspect the product as installed prior to removal. Any product returned to us **MUST** be securely packaged and adequately insured. We will not accept responsibility for any damage caused during transportation.

No installer, dealer, agent or employee of Rangemaster has the authority to modify the obligations or limitations of this warranty. This warranty does not affect your statutory rights.


<h1>RANGEmaster</h1> <p>Meadow Lane, Long Eaton, Nottingham, NG10 2GD, England Trade Enquiries: +44 (0)115 946 4000 Consumer Enquiries: +44 (0)1926 457628 E-mail: consumers@agarangemaster.co.uk www.rangemaster.co.uk</p>
21 Kitchen sink made of: Ceramic fireclay Preparation of food, washing of dishes and discharge of domestic waste water EN 13310 : 2015 CA - DA

Due to our policy of continual improvement, we reserve the right to change specifications without prior notice.