

AFTERCARE INSTRUCTIONS

This shower enclosure should be cleaned with soap and water regularly. This is particularly important in hard water regions. Cleaners of an abrasive nature should not be used. Care should be taken to avoid contact with strong chemicals such as organic solvents and strippers. Glass cleaners can be used with caution. Please retain these instructions for aftercare and customer service details.

CUSTOMER SERVICE

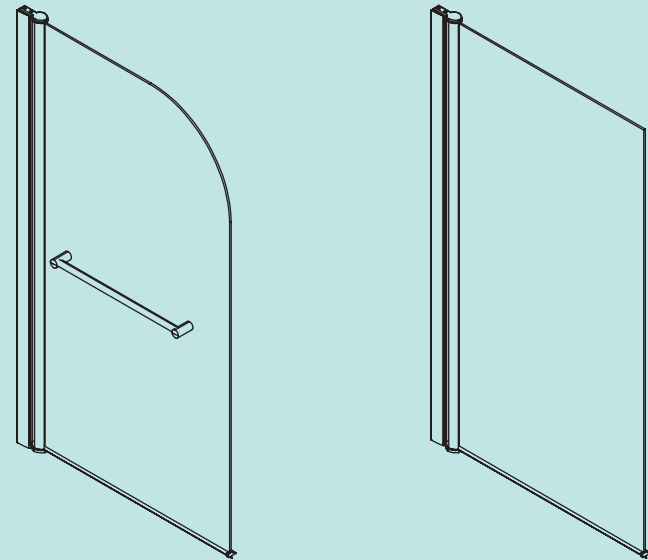
t: +44(0)208 686 5100
e: technical@saneux.com

4 Imperial Way
Croydon CR0 4RR

www.saneux.com

WOSH

INSTALLATION INSTRUCTIONS



S2850 / S2852

saneux

IMPORTANT! - BEFORE YOU BEGIN

Please read and understand these instructions carefully before you begin.

This product comes with a 15 year guarantee against manufacturing faults.

If a shower enclosure has been installed contrary to these instructions, we cannot accept responsibility for any loss or damage.

Please inspect the product immediately upon receipt for transit damage, missing parts or manufacturing faults. Any damage or missing parts must be notified immediately. No claims will be accepted after installation.

Please handle the product with care, avoiding knocks or shock loading to all sides and edges of the glass. Safety glass cannot be re-worked.

Double check that the shower door you have ordered will fit into the chosen site. The fixings supplied are for use in solid walls. Hollow or stud walls will require specialist fixings.

Ensure all components are present, prior to installation.

Ensure that the bath is installed perfectly level in all directions against a solid, structural wall and that, before installation of the shower enclosure, there is a full and continuous bead of silicone sealant between the top of the bath and the tile joint. Tiling should cover a minimum of 1500mm from the top of the bath.

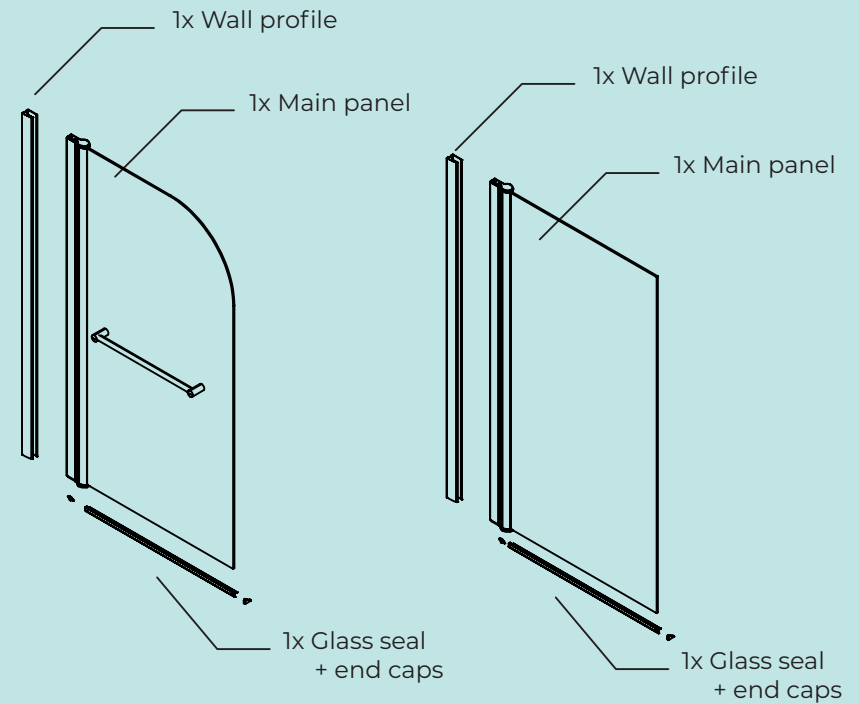
Surfaces to be siliconed should be degreased with a methylated spirit first, according to the safety instructions of the product.

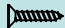
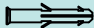
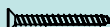


Ensure there are no hidden pipes or cables in the wall before drilling.

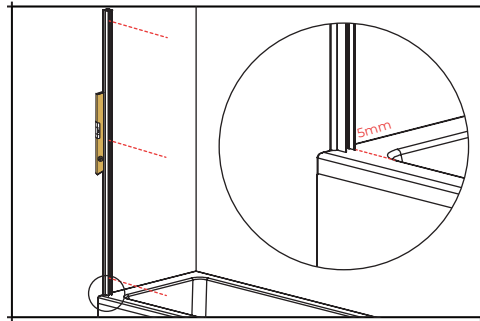
When drilling holes in ceramic tiles, use a piece of masking tape on the tile to stop the drill bit from slipping.

DO NOT use your drill on hammer action when drilling holes in ceramic tiles. Always wear PPE when drilling or lifting heavy objects.

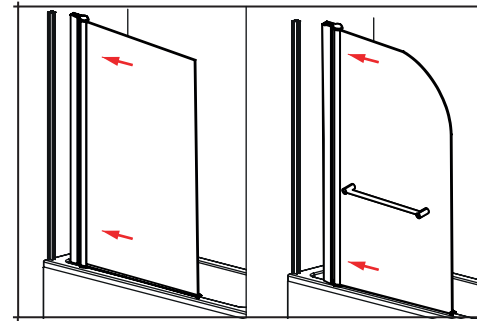
Allow 24h for the sealant to dry before using the shower.

Ensure all components are present prior to installation.**List of Fixings:**

3 x Screw 3.5 x 10mm	
3 x Wall plug	
3 x Screw 5 x 50mm	
3 x Screw clip	
3 x Screw cover cap	

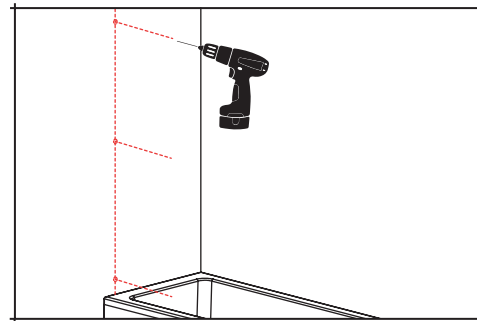


1. Place the wall profile on the desired wall, making sure it is vertically level and closest to the inner edge of the bath, by approximately 5mm.

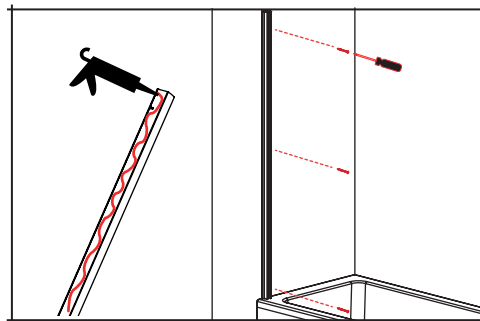
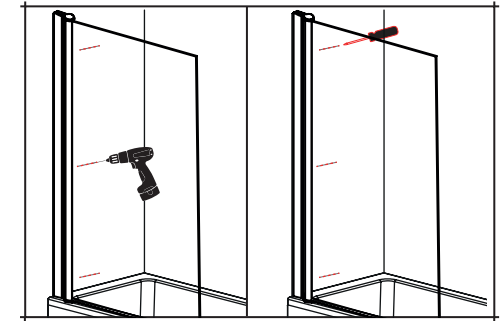


5. Fit the main panel to the wall profile, ensuring that the main panel is sitting level with the top of the bath.

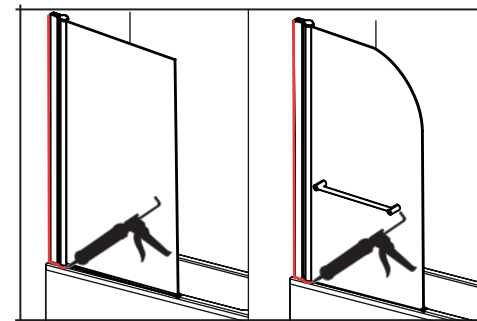
2. Mark the location of the holes vertically along the profile. Drill the wall using an 8mm drill bit to a depth of at least 30mm.



6. Once the screen is perfectly level in all directions, drill three 3mm holes through the side profile A (Top, centre and bottom of the profile), ensuring to drill through both aluminium profiles but **avoiding the glass**. Secure the bath screen by driving the 3.5mm screws through the drilled holes. Cover the screws with the screw clips and cover caps



3. **Apply a generous bead of silicone sealant to the back of the profile.** Secure the profile to the wall using the 5mm screws and wall plugs provided.



5. With the screen secure on the wall, apply a bead of silicone to the outside of the wall profile, as shown in the diagram

4. Fit the glass seal to the main panel, ensuring that the wing of the seal is located on the inside of the bath.

