

Technical Data Sheet

Shower Systems

TAVISTOCK

| No. | Description | Code | Fixings Included |
|-----|------------------------|---------|------------------|
| 1 | Merit 2F Shower System | SMT1509 | YES |

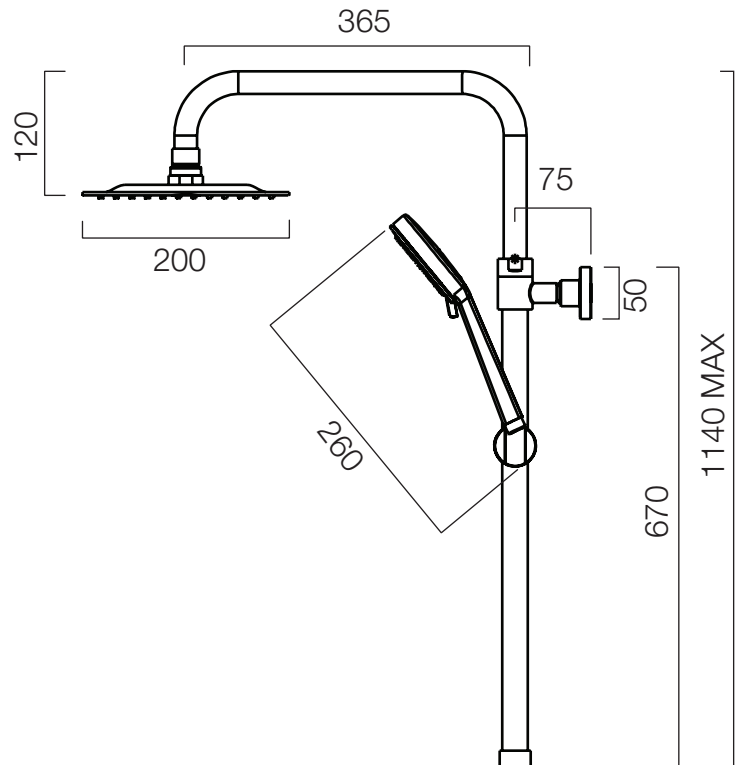
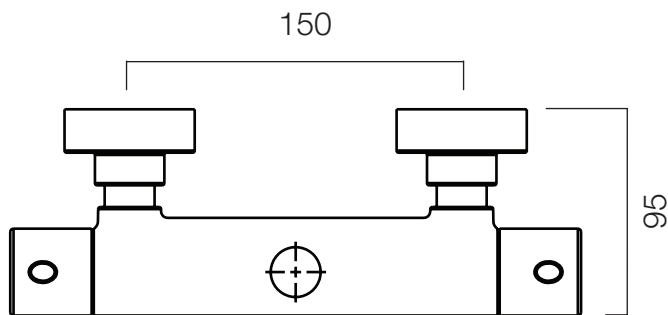
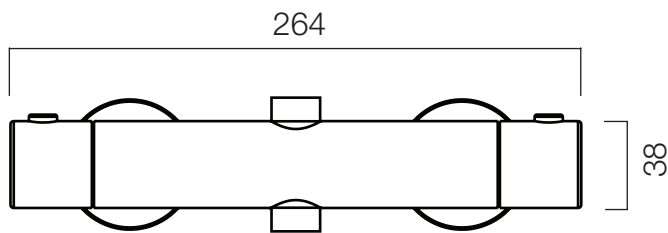


| Inlet Pressure | Flow Rate (l/min) |
|----------------|-------------------|
| 1bar | 9 |
| 2bar | 12.5 |
| 3bar | 15.5 |
| 4bar | 17.5 |
| 5bar | 20 |

Flow from valve may vary depending on accessories and domestic supply.

Dimensions - Overview

Diagrams not to scale. All dimensions in mm (tolerance of +/-5mm)



FAQs

How tall is the riser rail? Adjustable: 760mm - 1140mm

How long is the shower hose? 1.5m

What is the minimum pressure for the valve? 1.0bar

What is the valve connection size? 1/2" BSP