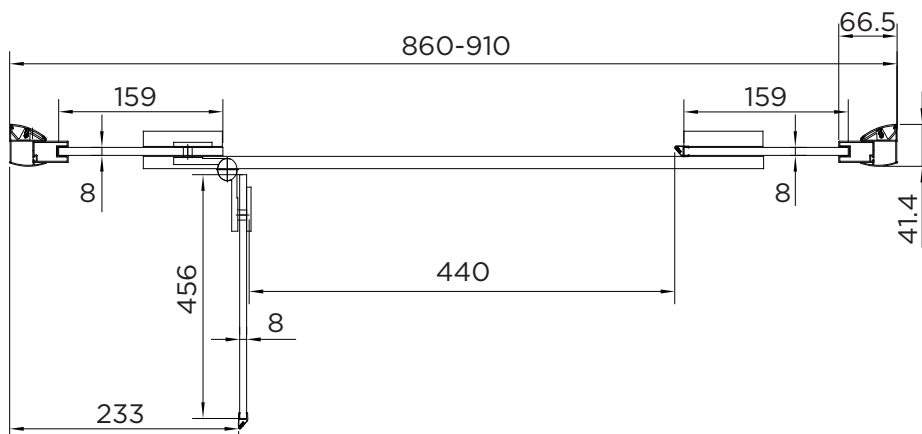


SPECIFICATION  
**inline**  
 HINGE DOOR RECESS

<b>RANGE</b>	INLINE
<b>PRODUCT</b>	HING DOOR RECESS
<b>CODE</b>	AQ1011S
<b>SIZE</b>	900
<b>PROFILE COLOUR</b>	SILVER
<b>GLASS THICKNESS</b>	8mm
<b>GLASS FINISH</b>	CLEAR
<b>GLASS TREATMENT</b>	CLEAN & CLEAR™
<b>HEIGHT</b>	1950
<b>ADJUSTMENT IN RECESS</b>	860-910
<b>ADJUSTMENT WITH SIDE PANEL</b>	N/A
<b>OPTIONAL SIDE PANEL</b>	N/A
<b>APERTURE</b>	440
<b>GUARANTEE</b>	LIFETIME
<b>CE</b>	EN14428
<b>GLASS BS EN</b>	EN12150-1T
<b>PROFILE MATERIAL</b>	ALUMINUM/6463#
<b>HANDLE MATERIAL</b>	STAINLESS STEEL
<b>ROLLER MATERIAL</b>	N/A
<b>QUICK RELEASE ROLLERS</b>	N/A
<b>FIXED PANEL SIZE</b>	159x2
<b>MOVING PANEL SIZE</b>	456
<b>PRODUCT HAND</b>	UNIVERSAL
<b>PRODUCT WEIGHT</b>	39.5KG
<b>PACKAGED DIMENSIONS</b>	2030x510x106
<b>BARCODE</b>	5031978043275



\*All shower enclosures carry a Lifetime Guarantee when fitted with an Aquadart shower tray, a 10 year Guarantee will be given when fitted with any other manufacturer's tray.

To register your Guarantee visit: [www.aquadart.co.uk](http://www.aquadart.co.uk) | Spare Parts available at: [www.aprilaquadartspares.co.uk](http://www.aprilaquadartspares.co.uk)

All measurements in mm and are nominal