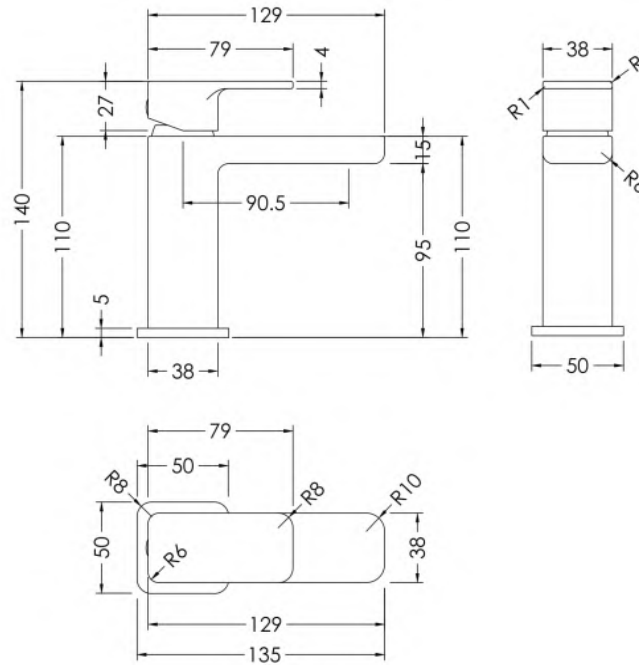


Sales Code: WIN315

Description: Windon Mini Basin Mixer (P/B Waste)



Product Dimensions

Height (mm):	140
Width (mm):	48
Depth (mm):	129
Length (mm):	
Nett Weight (kg):	1.62

Packaging Dimensions

Height (mm):	95
Width (mm):	245
Depth (mm):	275
Gross Weight (kg):	1.62

Packaging Data

Box Colour:	White Cardboard Box
Box Qty:	1
Label Size:	100 x 50
Label Colour:	White Label
Label Qty:	1

Outer Box Dimensions (If Applicable)

Height (mm):	500
Width (mm):	480
Depth (mm):	295
Length (mm):	

Gross Weight (kg):	
Barcode:	5056211898191

Product Details

Country of Origin:	China
Fitting Instruction:	Yes
Product Material:	Brass
Control Type:	Manual
Waste Included:	Waste Included
Waste Type:	Push Button
WRAS Approval: No	Approval No: N/A
Valve/Cartridge Type:	Single Lever Cartridge
Colour/Finish:	Chrome
Mount Type:	Deck
Operating Pressure (bar):	0.2
Flow Rates: (Litres Per Min)	0.1 bar: 2.6 0.5 bar: 7 1 bar: 10.2 2 bar: 14.8 3 bar: 18.3
Pipe Size:	1/2"
Pipe Centres:	N/A