

## Geberit Duofix element for wall-hung WC, with Kappa concealed cistern 15 cm (UP120, Artline)

Year of manufacture 2014-

### Valid for article(s)

111.260.00.1

111.260.00.2

111.264.00.1

### Characteristics

#### Model name:

UP120 / Artline

#### Assembly group:

-

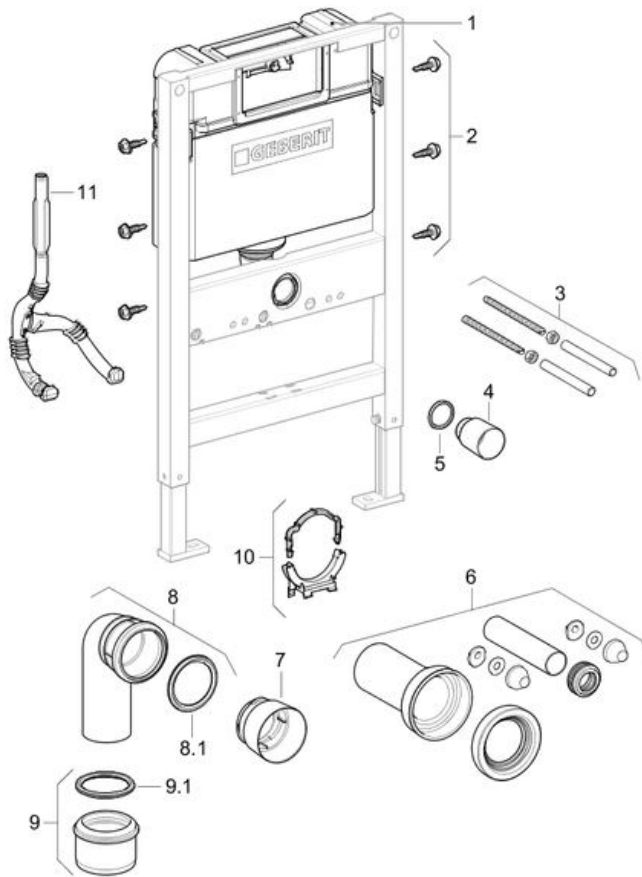
#### Dimension / Design:

-

#### PA number:

-

### Spare parts drawing



8000879

### Spare parts

| Pos. | Article no.  | Description  | Comment          |
|------|--------------|--|------------------|
| 1    |              | Geberit Kappa concealed cistern 15 cm (UP120, Artline) | more spare parts |
| 2    | 111.892.00.1 | hexagonal self tapping screws                          | Multipack        |
| 3    | 240.189.00.1 | threaded rod M12 to wall mount. WC set-2               |                  |
| 4    | 362.796.92.1 | protection plug PE-LD d44.6                            |                  |
| 5    | 362.771.00.1 | Seal for flush pipe                                    |                  |

|     |              |   |                  |
|-----|--------------|---|------------------|
| 6   | 152.426.11.1 | ctionSet WWC PE-HD d90/45 L18.5                               |                  |
| 6   | 152.426.46.1 | ctionSet WWC PE-HD d90/45 L18.5                               |                  |
| 6   |              | Geberit connector sets for floor-standing WC and wall-hung WC | more spare parts |
| 7   | 366.820.92.1 | protection plug PE-LD d90                                     |                  |
| 8   | 366.061.16.1 | ction bend PE-HD 90G d90/90 L22.5/11                          |                  |
| 8.1 | 387.282.00.1 | sleeve EPDM d90 f Kombifix                                    |                  |
| 9   | 367.928.16.1 | adapter socket PE-HD d90/110                                  |                  |
| 9.1 | 387.282.00.1 | sleeve EPDM d90 f Kombifix                                    |                  |
| 10  | 240.401.00.1 | Duofix pipe bracket for outlet bend DN80                      |                  |
| 11  | 242.886.00.1 | dbl condP DF/GIS Sig12 Kap15 Ome12                            | From 2013        |