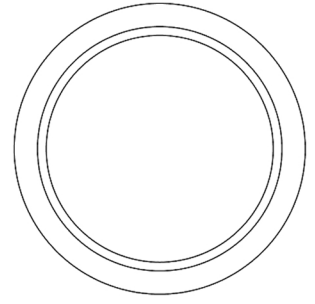


# INSTALLATION INSTRUCTIONS

## Illuminated LED Mirror IP44



**IMPORTANT:** Please read these instructions before commencing installation and retain for future reference.

### Bathroom Lighting Zones:

0

Inside the bath or shower. Must be SELV (12V Max) due to water submersion. Minimum rating of IP67.

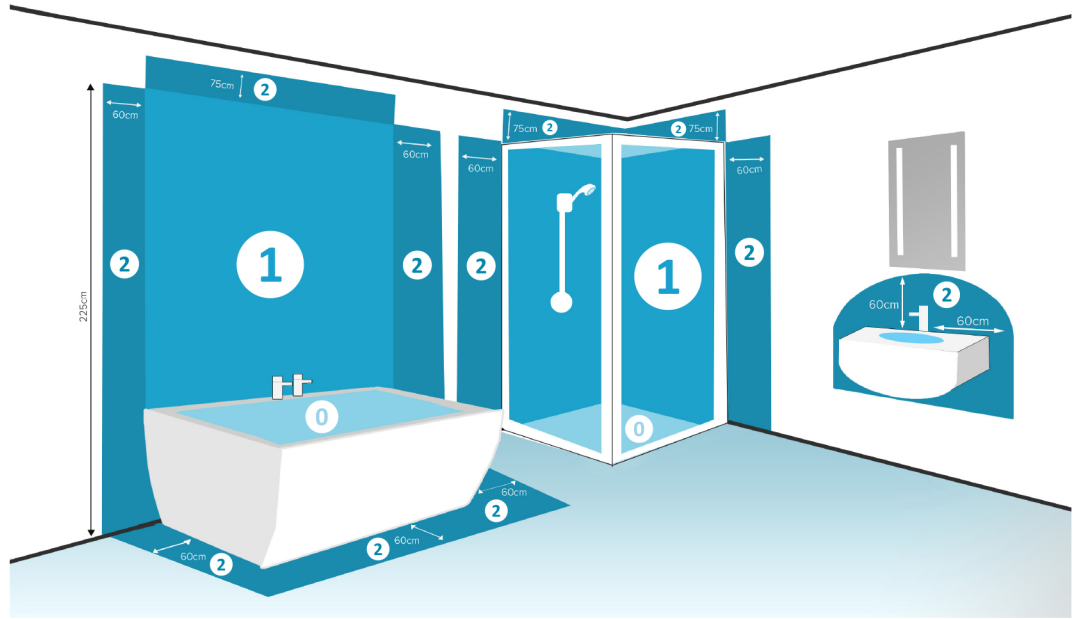
1

225cm above the bath or shower. Minimum rating of IP44.

2

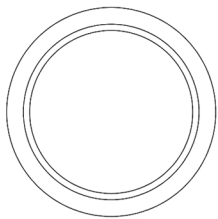
The area stretching to 60cm outside the bath or shower, and 60cm from the water outlet of the sink. An IP rating of at least IP44 is required.

This mirror is IP44 rated and suitable for installation in zone 2 and the outside zones.

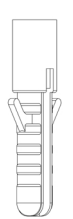


**Outside Zones** - Anywhere outside zones 0, 1 and 2, where water jets are not used for cleaning purposes, the general rules of BS7671 apply.

### Components



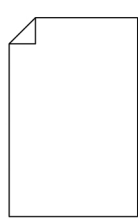
Illuminated LED Mirror



4 x Rawl Plugs



4 x Screws



1 x Instructions Manual

### Important Safety Information

Please read these instructions carefully before attempting to install this product. It is advisable to keep these instructions in a safe place for future reference.

We recommend that you consult a qualified electrician. All electrical installation must be carried out in accordance with the current IEE wiring regulations (BS7671) and the latest relevant building regulations.

This product must not be modified, if any modifications are made, it may invalidate the warranty and may render the product unsafe.

This product is for indoor use only.

### Tools Required



Pencil



Screwdriver



Ø8mm Drill Bit



Power Drill

### Safety Instructions

1. If in doubt, installation must be carried out by a qualified electrician.
2. Before commencing installation or maintenance, isolate the main electrical supply for the appropriate circuit at the fuse board.
3. This product is only suitable for connecting to a 240V 50Hz supply.
4. The mirror should be mounted onto a secure surface.
5. When installing, please take care to avoid water pipes, joints and electrical cables.
6. This product has a rating of IP44.
7. Do not exceed or stretch cables.

### Waste Electrical & Electronic Equipment (WEEE)

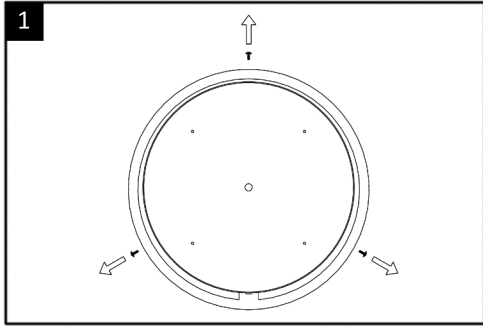
The symbol on the product, or on the document accompanying the product, the crossed out wheellie bin symbol, indicates that this product may not be treated as household waste. Instead it shall be handed over to the applicable collection point for the recycling of electrical and electronic waste.



RoHS Compliant ✓ CE

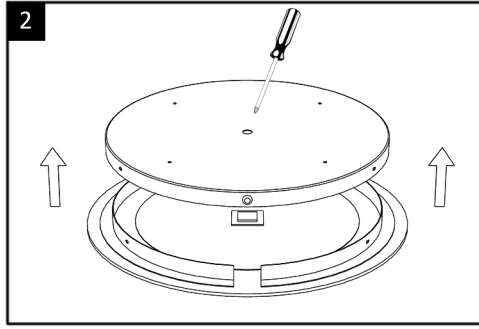
# Illuminated LED Mirror IP44

## Installation



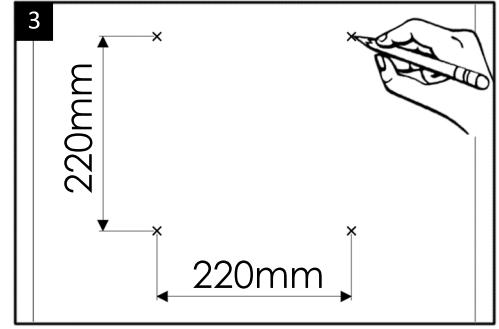
Lay the mirror face down and remove the screws with a Philips head screw driver.

**Note:** Be careful to lay your mirror on a padded surface that will not cause any scratches or abrasions.



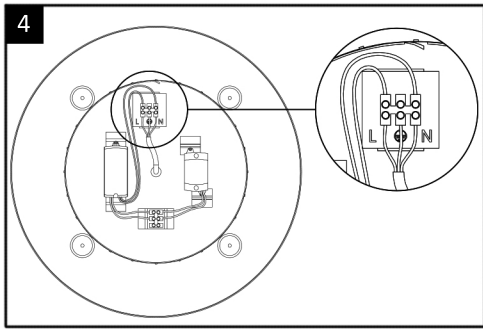
Carefully remove the back box from the mirror and pierce the rubber grommet in the centre.

**Note:** The rubber grommet will isolate and trap any steam to ensure the mirror remains protected.



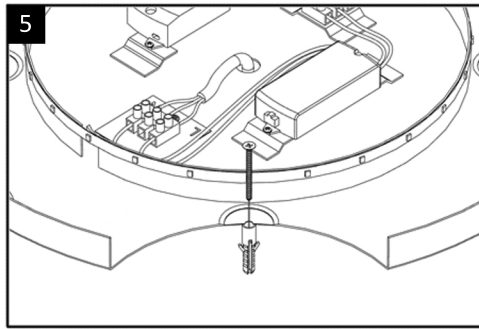
Carefully mark your desired position for the mirror using the dimensions shown above. Then proceed to drill the holes for the Rawl plugs and screws.

**Note:** Be careful to avoid any wiring or water pipes.

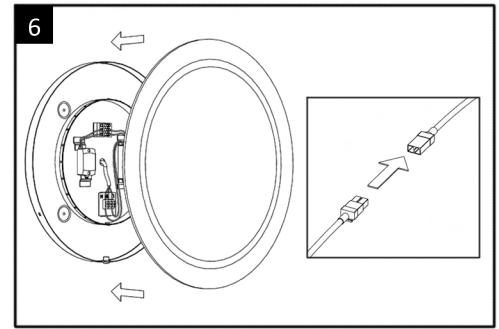


Thread a 3-core mains cable through the rubber grommet in the centre of the back box and connect it to the junction box.

**Note:** Please refer to the wiring diagram shown in the operation section.

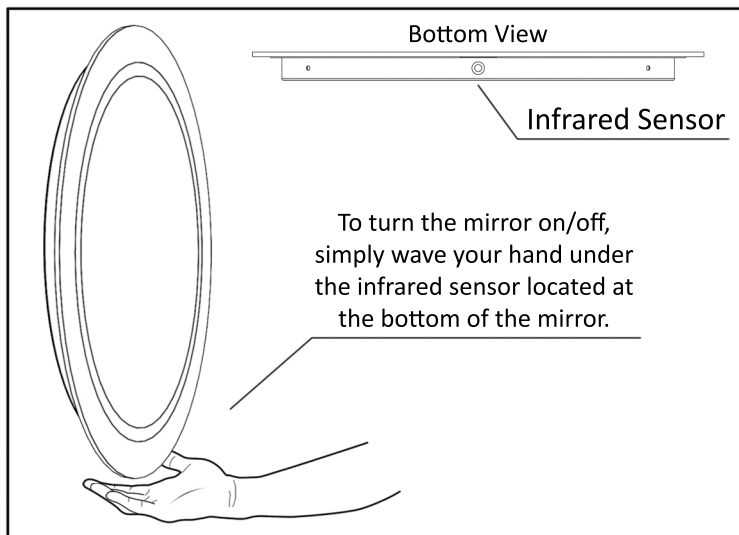


Insert the Rawl plugs into the pre-drilled holes and then secure the back box to the wall using the screws provided.



Connect the male and female connectors for the demister pad and proceed to slot the glass panel over the back box. Finally, re-insert the screws to fasten the two parts together. **Note:** Ensure that the infrared sensor is located at the bottom of the mirror when mounting.

## Operation

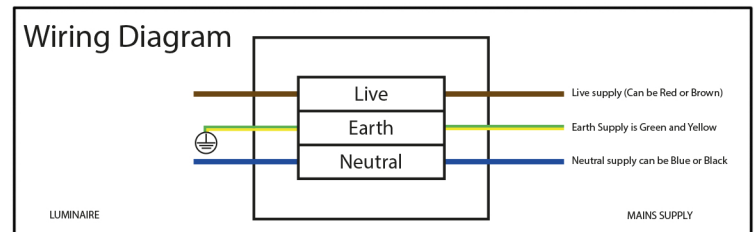


## Product Overview

This is a stylish and unique round LED mirror, capable of making a design statement in any bathroom.

The mirror features a fully diffused illuminated ring on the mirror face, which is perfect for everyday tasks, as well as a demister pad to ensure the mirror always stays clear.

The mirror also features an infrared sensor, which means the light can be switched on/off with the swipe of a hand. This is great for maintaining hygiene levels in the bathroom.



## Maintenance & Care

- Ensure that the power is disconnected prior to cleaning.
- To keep the finish of this product, wipe over with soft cloth periodically.
- Do not use harsh chemical solvents, this may dis-colour or damage the finish.
- Do not over-tighten screws on the terminal block.