

Technical Data Sheet

ROPER RHODES®

Cranborne Basin Taps (Pair) - T317002

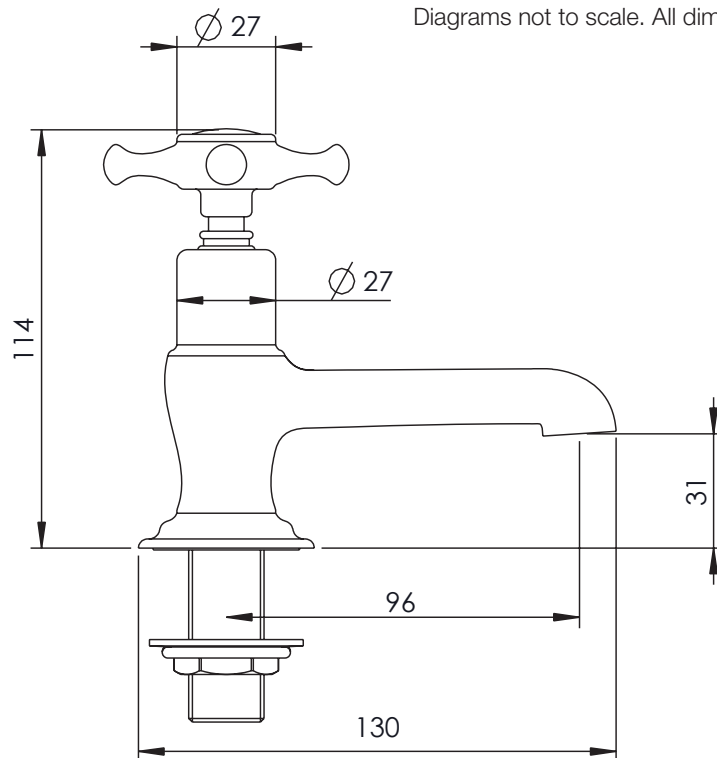
No.	Description	Code	Fixings Included
1	Cranborne Basin Taps (Pair)	T317002	YES



Min Pressure:	0.2bar
0.2bar	5 litres / min
0.3bar	6 litres / min
0.4bar	7 litres / min
0.5bar	8 litres / min
1bar	11 litres / min
2bar	16 litres / min

Dimensions:

Diagrams not to scale. All dimensions in mm (tolerance of +/-5mm)



*Dimensions are subject to change, customers are advised to measure actual product before commencing installation.

FAQs

What is the size of the tap threaded connection? The threaded inlet is 1/2" BSP

Does the tap come fitted with an aerator? Yes, the aerator comes pre-installed but can be replaced.