

TECHNICAL DATA SHEET

Harrow Cloakroom Basin

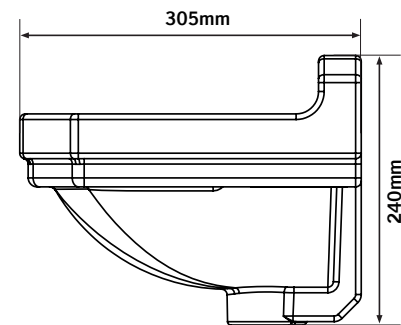
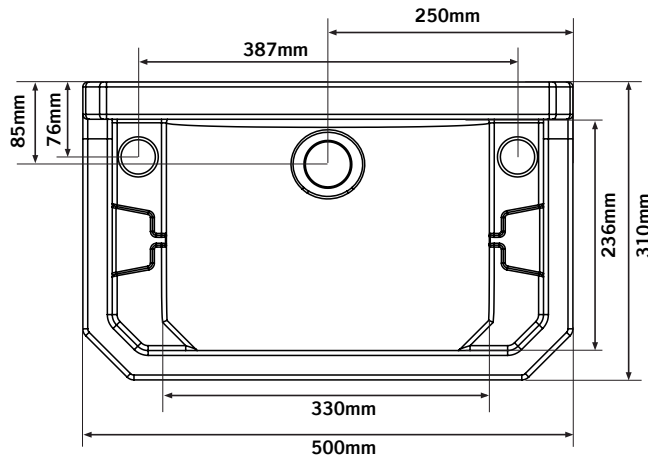
ROPER RHODES®

NO.	Description	Product Code	Fixings included	Gross Weight
1	Cloakroom Basin	H50CDB	YES	10KG



DIMENSIONS

DIAGRAMS NOT TO SCALE | ALL DIMENSIONS IN MM TOLERANCE OF ± 5MM
ALL PRODUCTS CONFORM TO BRITISH STANDARDS



*Dimensions are subject to change, customers are advised to measure actual product before commencing installation.

**Fixing point dimensions are for guidance only. The positions of fixings must be checked when product is received.

FAQs

Q - How is this basin wall mounted?

A - With basin brackets (not shipped) SP17759

Q - Does this basin have an integrated overflow?

A - Yes

Q - What is the maximum water depth of the basin?

A - 95mm up to the overflow.

Key Dimensions Descriptions	Key Dimensions (mm)
Internal Basin Front to Back	236mm
Internal Basin Left to Right	330mm
Taphole Centre to Waste Centre	65mm
Taphole Centre to Back of Basin	76mm
Waste Centre to Back of Basin	85mm
Width of Basin	500mm
Depth of Basin	305mm
Internal Basin Depth	135mm

TECHNICAL DATA SHEET

Harrow Cloakroom Basin and Pedestal

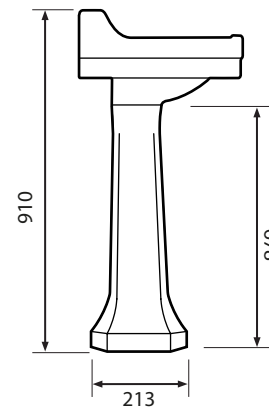
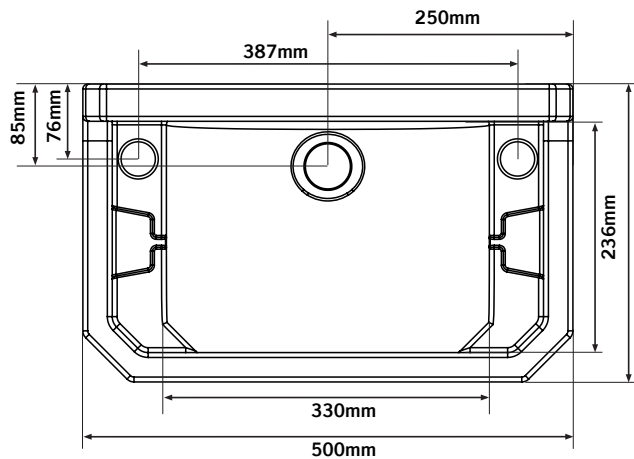
ROPER RHODES®

NO.	Description	Product Code	Fixings included	Gross Weight
1	Cloakroom Basin	H50CDB	YES	10KG
2	Pedestal	HPED	YES	10KG



DIMENSIONS

DIAGRAMS NOT TO SCALE | ALL DIMENSIONS IN MM TOLERANCE OF ± 5MM
ALL PRODUCTS CONFORM TO BRITISH STANDARDS



*Dimensions are subject to change, customers are advised to measure actual product before commencing installation.
**Fixing point dimensions are for guidance only. The positions of fixings must be checked when product is received.

FAQs

Q - Position of fixing points?
A - 440mm Centres

Q - Does this basin have an integrated overflow?
A - Yes

Q - What is the maximum water depth of the basin?
A - 95mm up to the overflow.

Basin

Key Dimensions Descriptions	Key Dimensions (mm)
Internal Basin Depth	135mm
Internal Basin Front to Back	236mm
Internal Basin Left to Right	330mm
Tap Ledge	N/A
Taphole Centre to Waste Centre	65mm
Taphole Centre to Back of Basin	76mm
Waste Centre to Back of Basin	85mm
Width of Basin	500mm
Depth of Basin	305mm

Pedestal

Key Dimensions Descriptions	Key Dimensions (mm)
Distance at Rear Base from Wall when Fitted MIN/MAX	115mm
Footprint Front to Back Depth	230mm
Footprint Outside Width Front	255mm
Footprint Outside Width Back	280mm
Cavity Width (Pipe Fit)	95mm
Cavity Depth (Pipe Fit)	110mm
Height Excluding Basin	678mm