

INSTALLATION INSTRUCTIONS

Illuminated LED Mirror IP44



IMPORTANT: Please read these instructions before commencing installation and retain for future reference.

Bathroom Lighting Zones:

0

Inside the bath or shower. Must be SELV (12V Max) due to water submersion. Minimum rating of IP67.

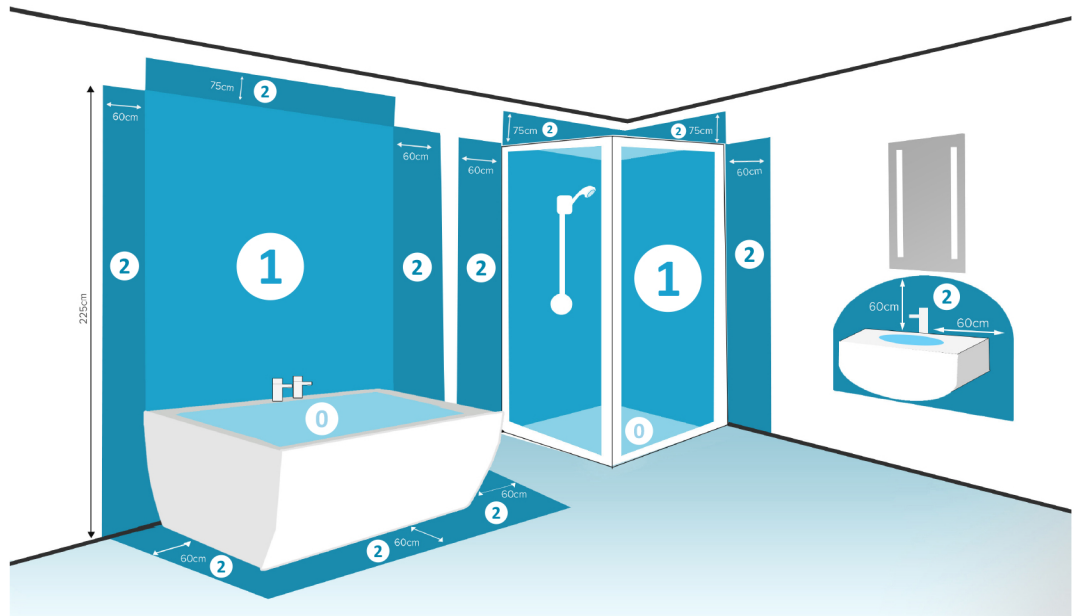
1

225cm above the bath or shower. Minimum rating of IP44.

2

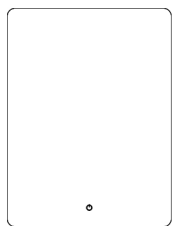
The area stretching to 60cm outside the bath or shower, and 60cm from the water outlet of the sink. An IP rating of at least IP44 is required.

This mirror is IP44 rated and suitable for installation in zone 2 and the outside zones.

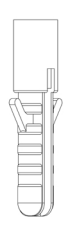


Outside Zones - Anywhere outside zones 0, 1 and 2, where water jets are not used for cleaning purposes, the general rules of BS7671 apply.

Components



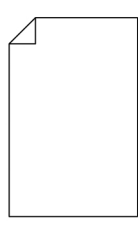
Illuminated LED Mirror



4 x Rawl Plugs



4 x Screws



1 x Instructions Manual

Important Safety Information

Please read these instructions carefully before attempting to install this product. It is advisable to keep these instructions in a safe place for future reference.

We recommend that you consult a qualified electrician. All electrical installation must be carried out in accordance with the current IEE wiring regulations (BS7671) and the latest relevant building regulations.

This product must not be modified, if any modifications are made, it may invalidate the warranty and may render the product unsafe.

This product is for indoor use only.

Tools Required



Pencil



Screwdriver



Ø8mm Drill Bit



Power Drill

Safety Instructions

1. If in doubt, installation must be carried out by a qualified electrician.
2. Before commencing installation or maintenance, isolate the main electrical supply for the appropriate circuit at the fuse board.
3. This product is only suitable for connecting to a 240V 50Hz supply.
4. The mirror should be mounted onto a secure surface.
5. When installing, please take care to avoid water pipes, joints and electrical cables.
6. This product has a rating of IP44.
7. Do not exceed or stretch cables.

Waste Electrical & Electronic Equipment (WEEE)

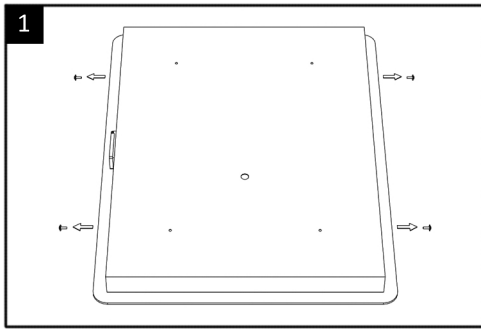
The symbol on the product, or on the document accompanying the product, the crossed out wheelee bin symbol, indicates that this product may not be treated as household waste. Instead it shall be handed over to the applicable collection point for the recycling of electrical and electronic waste.



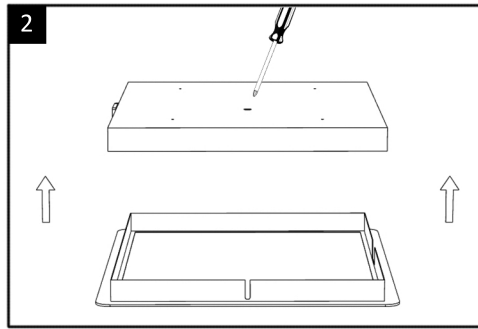
RoHS Compliant ✓ CE

Illuminated LED Mirror IP44

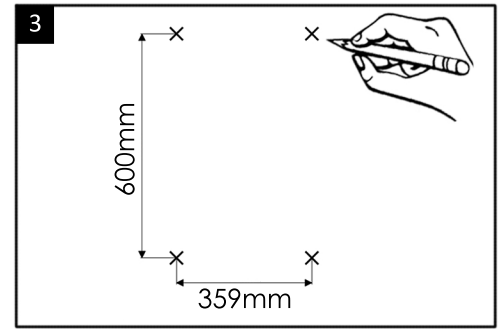
Installation



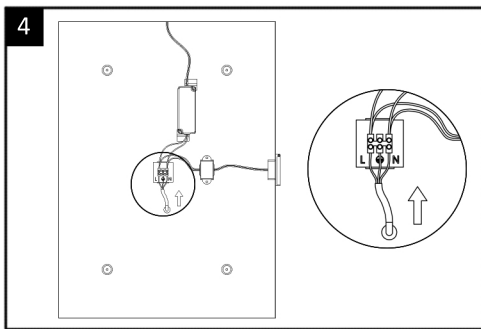
Lay the mirror face down and remove the screws with a Philips head screw driver.
Note: Be careful to lay the mirror on a padded surface, that will not cause any scratches or abrasions.



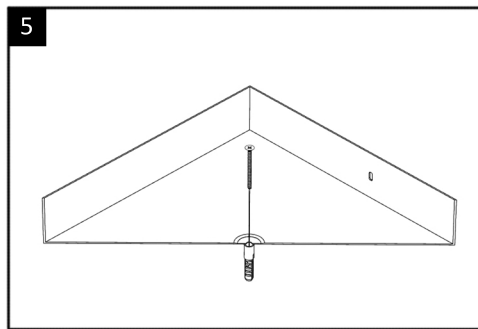
Carefully separate the back box from the glass mirror and pierce the rubber grommet.
Note: The rubber grommet will isolate and trap any steam to ensure the mirror remains protected.



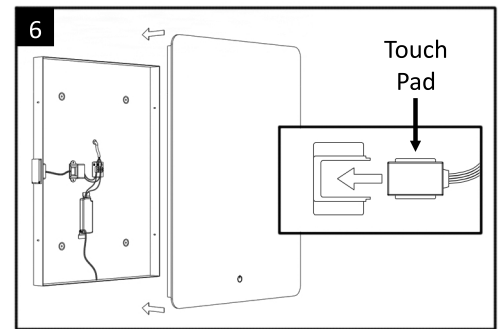
Carefully mark your desired position for the mirror using the dimensions shown above. Then proceed to drill the holes for the Rawl plugs and screws.
Note: Be careful to avoid any wiring or water pipes.



Thread a 3-core mains cable through the rubber grommet in the back box and connect it to the junction box.
Note: Please refer to the wiring diagram shown in the operation section.

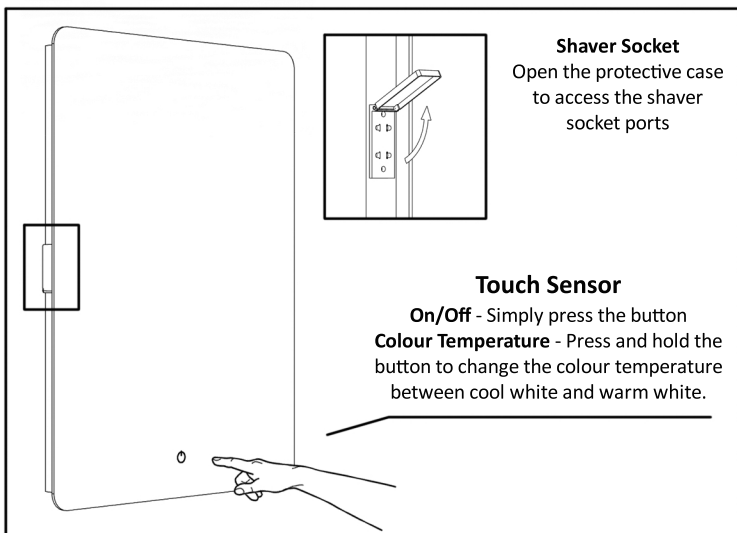


Insert the Rawl plugs into the pre-drilled holes and then secure the back box to the wall using the four screws provided.
Note: Ensure that the touch sensor is located at the bottom of the mirror when mounting.



Slide the touch pad from the back box into the bracket on the back of the glass panel and then proceed to slot the glass panel over the back box. Finally, re-insert the screws to secure the glass panel in position.

Operation

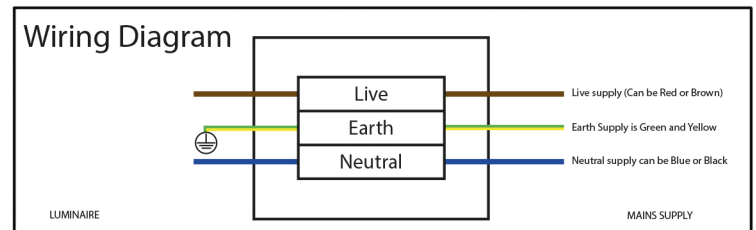


Product Overview

This is a contemporary LED mirror, capable of taking centre stage in any bathroom.

The mirror features backlit LED's to provide a stylish glow, and colour changing technology enables the mirror to switch between task lighting and mood lighting.

The touch pad located on the front face of the mirror enables complete control of the lighting, and a shaver socket is included to power any electronic items.



Maintenance & Care

- Ensure that the power is disconnected prior to cleaning.
- To keep the finish of this product, wipe over with soft cloth periodically.
- Do not use harsh chemical solvents, this may dis-colour or damage the finish.
- Do not over-tighten screws on the terminal block.