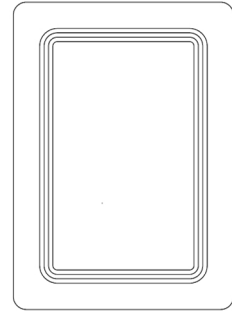


INSTALLATION INSTRUCTIONS

Illuminated LED Mirror IP44



IMPORTANT: Please read these instructions before commencing installation and retain for future reference.

Bathroom Lighting Zones:

0

Inside the bath or shower. Must be SELV (12V Max) due to water submersion. Minimum rating of IP67.

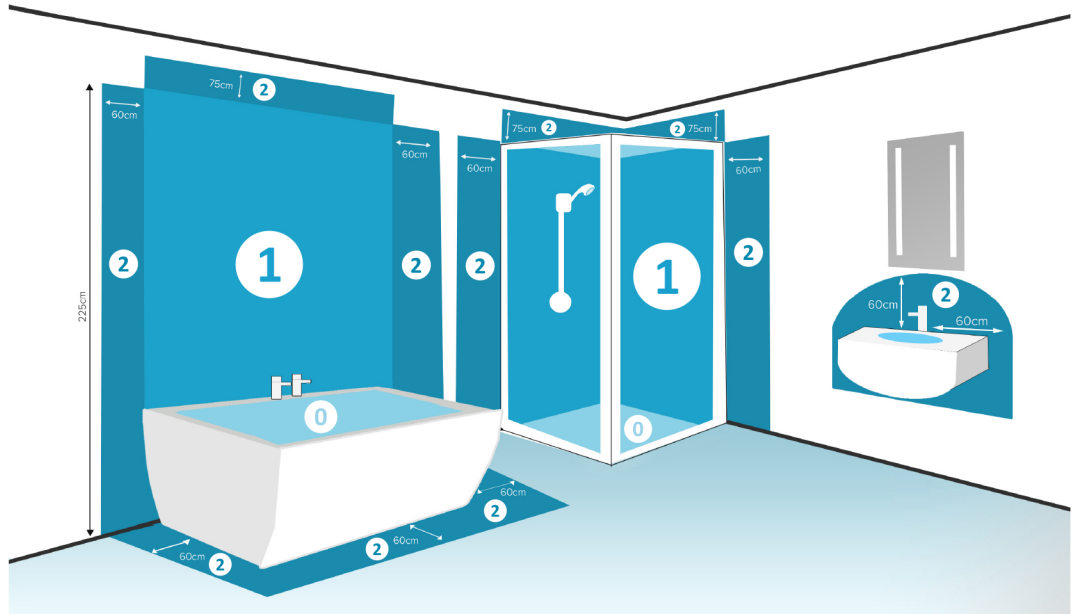
1

225cm above the bath or shower. Minimum rating of IP44.

2

The area stretching to 60cm outside the bath or shower, and 60cm from the water outlet of the sink. An IP rating of at least IP44 is required.

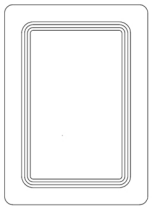
This mirror is IP44 rated and suitable for installation in zone 2 and the outside zones.



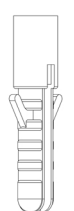
Outside Zones - Anywhere outside zones 0, 1 and 2, where water jets are not used for cleaning purposes, the general rules of BS7671 apply.

Components

Important Safety Information



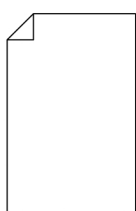
Illuminated LED Mirror



4 x Rawl Plugs



4 x Screws



1 x Instructions Manual

Please read these instructions carefully before attempting to install this product. It is advisable to keep these instructions in a safe place for future reference.

We recommend that you consult a qualified electrician. All electrical installation must be carried out in accordance with the current IEE wiring regulations (BS7671) and the latest relevant building regulations.

This product must not be modified, if any modifications are made, it may invalidate the warranty and may render the product unsafe. These LED lights operate low voltage (24V).

This product is for indoor use only.

Tools Required

Safety Instructions



Pencil



Screwdriver



Ø8mm Drill Bit



Power Drill

1. If in doubt, installation must be carried out by a qualified electrician.
2. Before commencing installation or maintenance, isolate the main electrical supply for the appropriate circuit at the fuse board.
3. This product is only suitable for connecting to a 240V 50Hz supply.
4. The mirror should be mounted onto a secure surface.

5. When installing, please take care to avoid water pipes, joints and electrical cables.
6. This product has a rating of IP44.
7. Do not exceed or stretch cables.

Waste Electrical & Electronic Equipment (WEEE)

The symbol on the product, or on the document accompanying the product, the crossed out wheelee bin symbol, indicates that this product may not be treated as household waste.

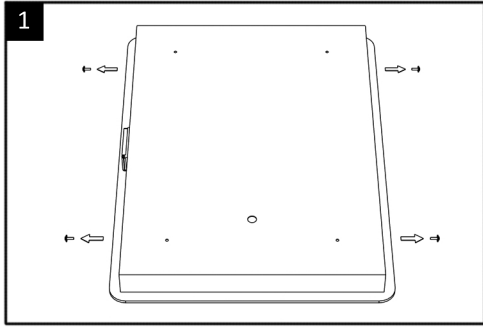
Instead it shall be handed over to the applicable collection point for the recycling of electrical and electronic waste.



RoHS Compliant ✓ CE

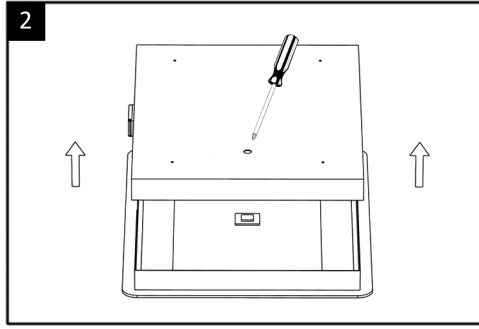
Illuminated LED Mirror IP44

Installation



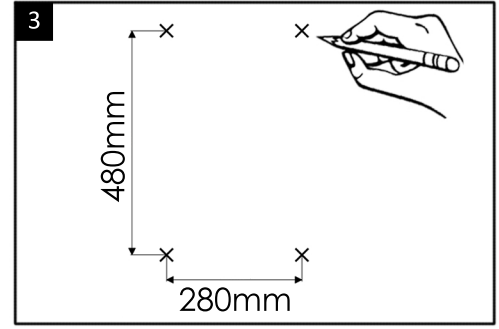
Lay the mirror face down and remove the screws with a Philips head screw driver.

Note: Be careful to lay the mirror on a padded surface, that will not cause any scratches or abrasions.



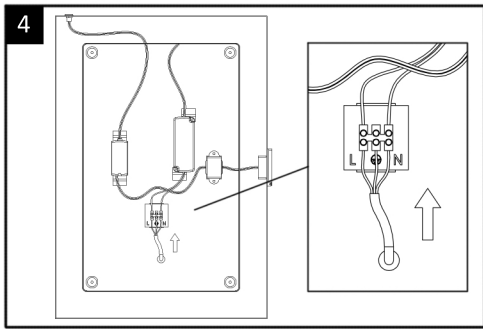
Carefully separate the back box from the glass mirror and pierce the rubber grommet.

Note: The rubber grommet will isolate and trap any steam to ensure the mirror remains protected.



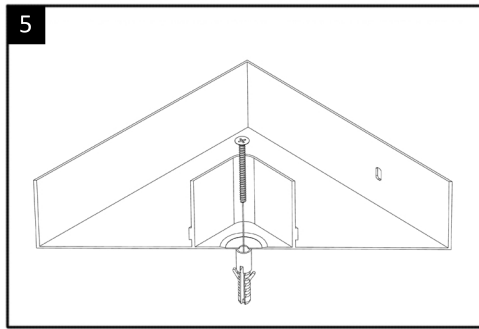
Carefully mark your desired position for the mirror using the dimensions shown above. Then proceed to drill the holes for the Rawl plugs and screws.

Note: Be careful to avoid any wiring or water pipes.



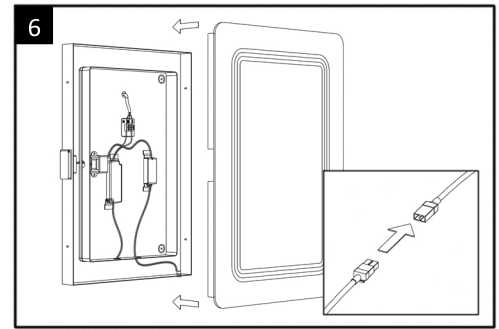
Thread a 3-core mains cable through the rubber grommet in the back box and connect it to the junction box.

Note: Please refer to the wiring diagram shown in the operation section.



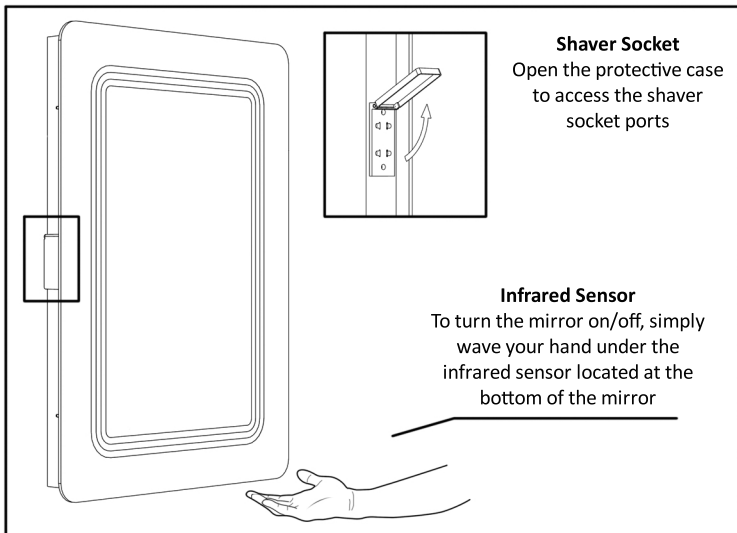
Insert the Rawl plugs into the pre-drilled holes and then secure the back box to the wall using the four screws provided.

Note: Ensure that the infrared sensor is positioned at the bottom of the mirror when mounting.



Connect the male and female connectors for the demister pad and proceed to slot the glass panel over the back box. Finally, re-insert the screws to fasten the two parts together.

Operation

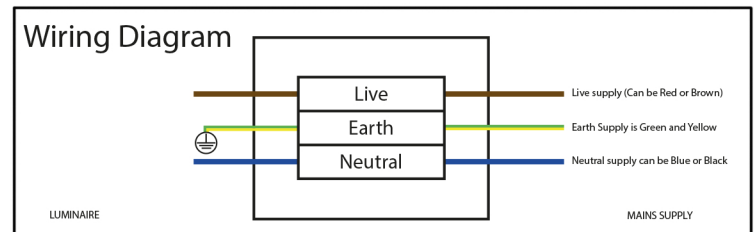


Product Overview

This illuminated LED mirror is a sleek addition to any bathroom, providing beautiful lighting with the wave of a hand.

The mirror features stylish soft-edge corners, as well as an illuminated front face, which is perfect for everyday tasks.

The built-in demister pad guarantees that the mirror will always stay perfectly clear, and the infrared sensor ensures the mirror will stay clear of any finger marks.



Maintenance & Care

- Ensure that the power is disconnected prior to cleaning.
- To keep the finish of this product, wipe over with soft cloth periodically.
- Do not use harsh chemical solvents, this may dis-colour or damage the finish.
- Do not over-tighten screws on the terminal block.