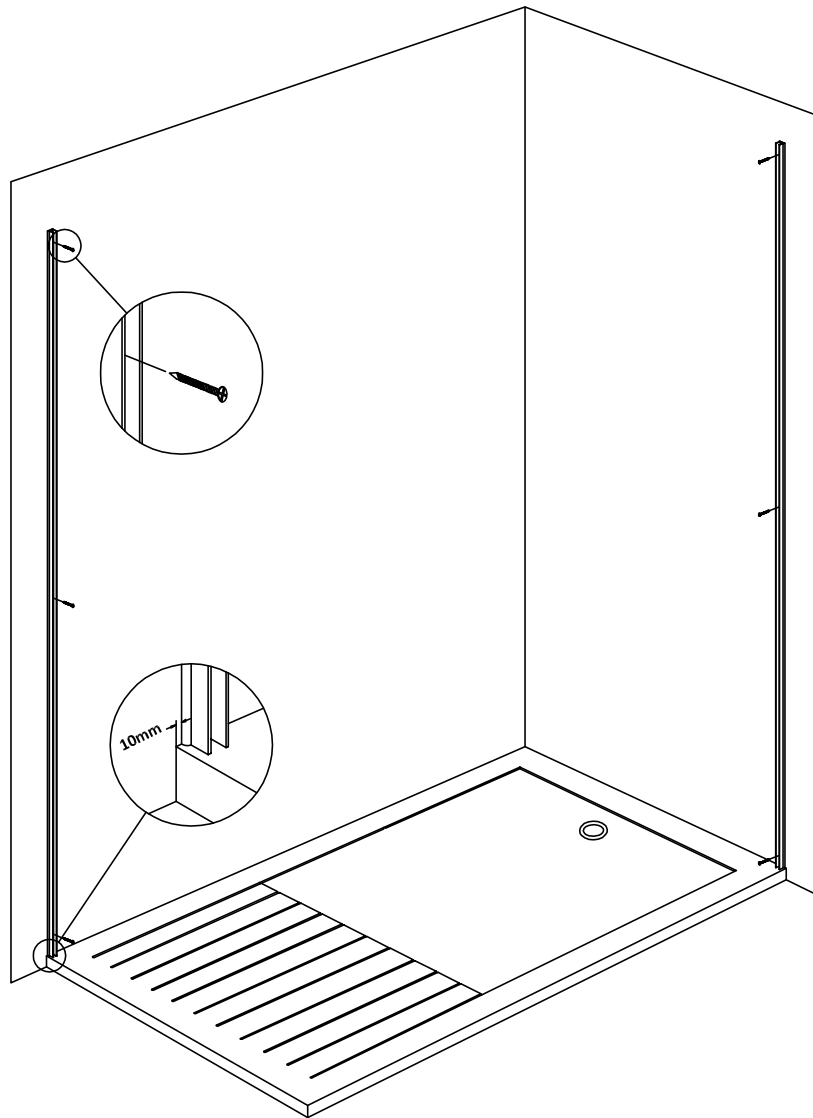
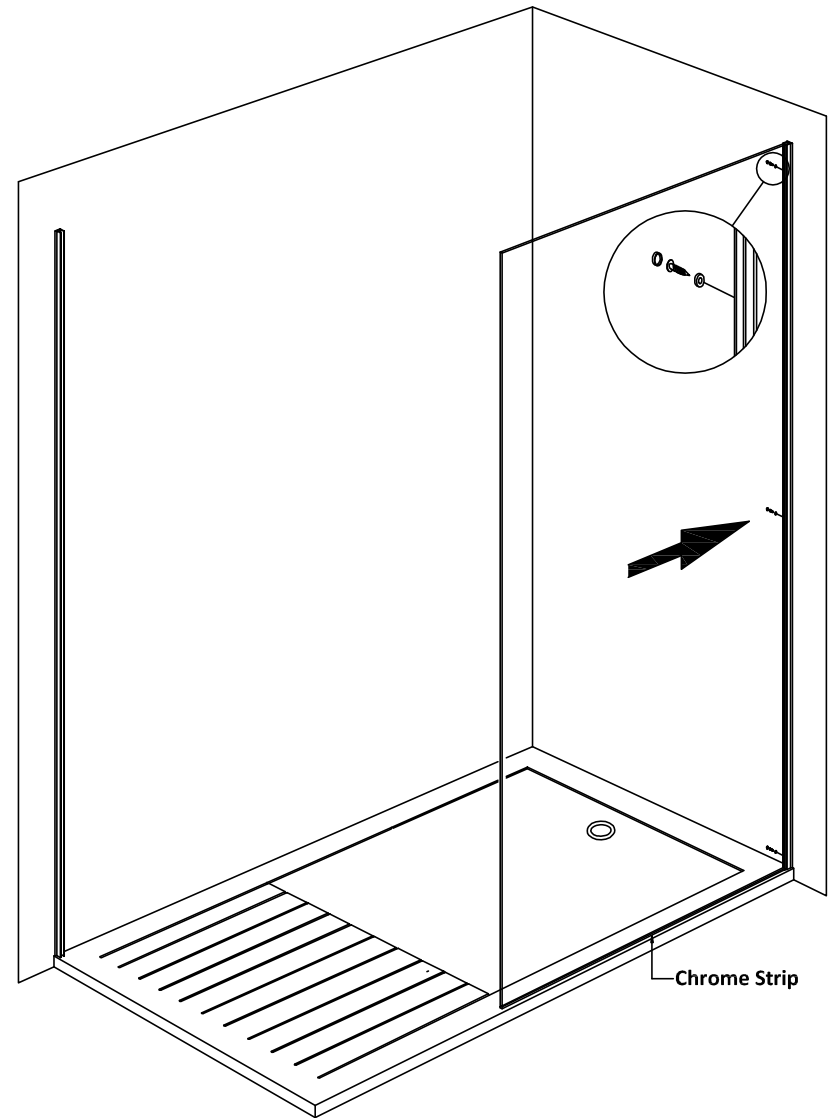


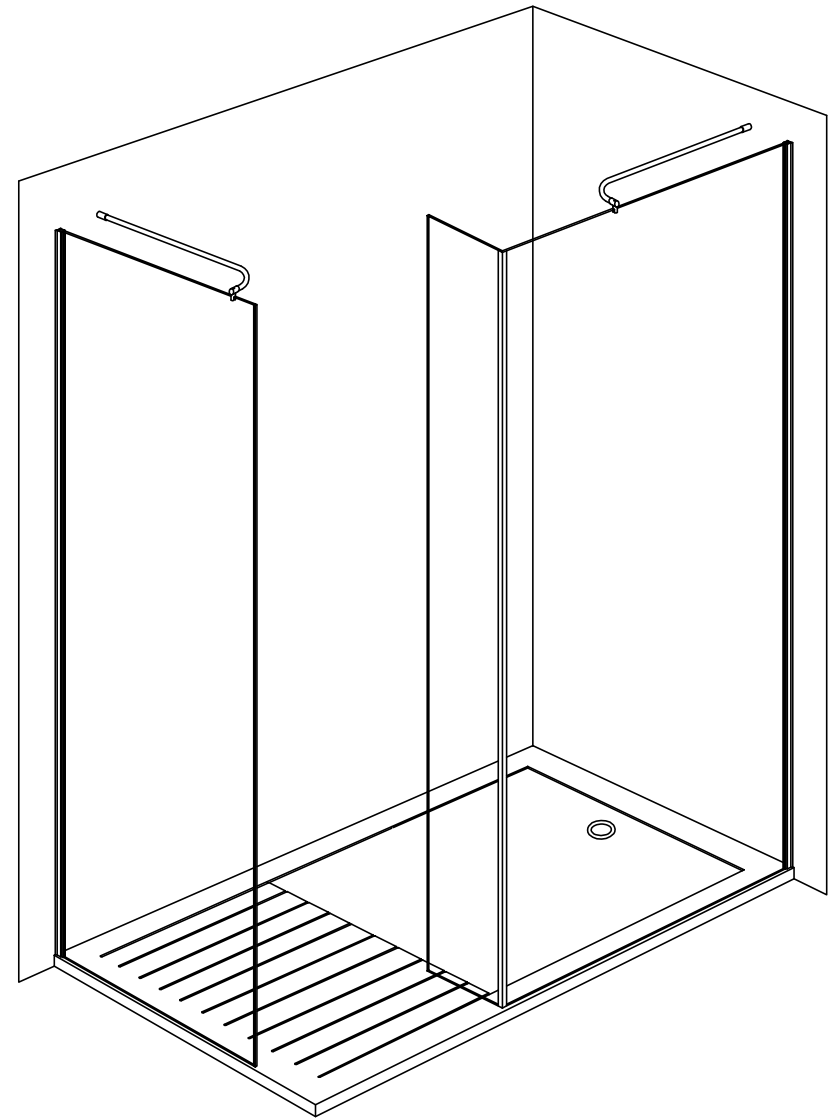
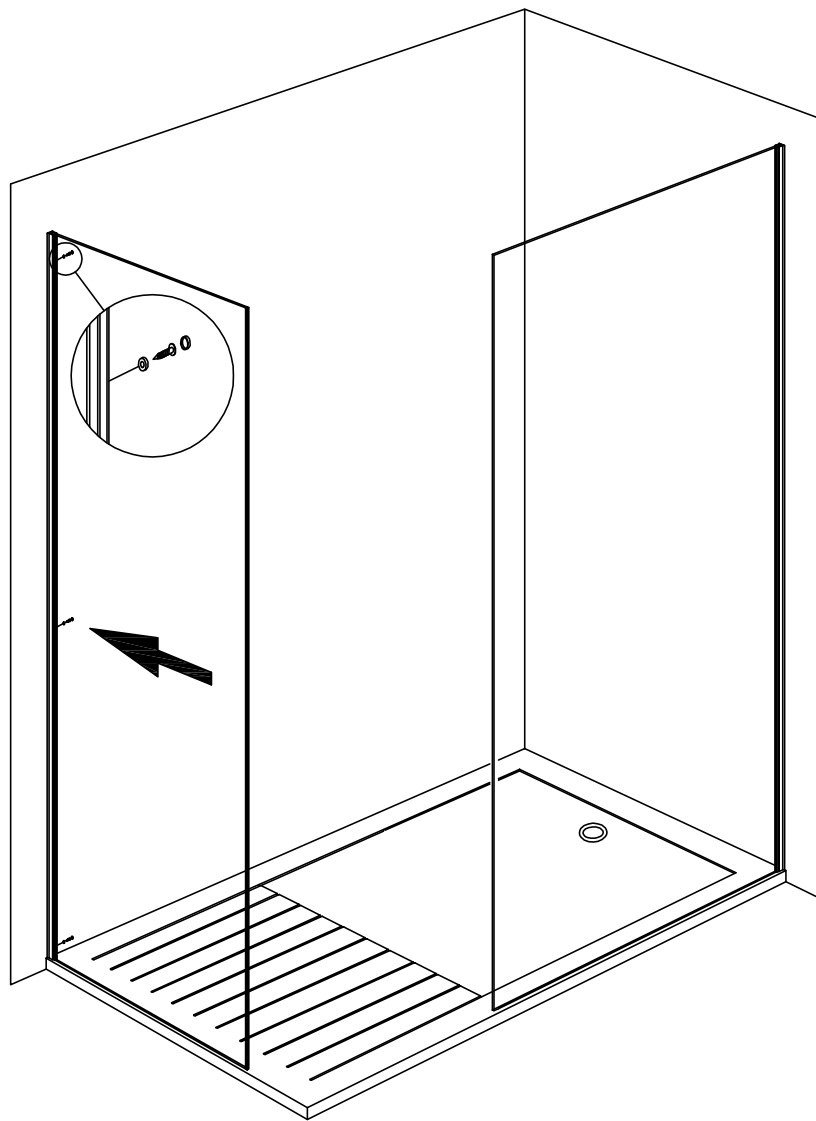
WRS - WETROOM SCREEN INSTRUCTION



1. Fit the shower tray ensuring it is level across all areas.
2. Apply silicone sealant to the edges of the tray after tiling.
3. Take the wall channel and position 10mm from the front edge of the tray. Ensure the wall channel is plumb and mark the fixing points. Drill the wall for the supplied wall plugs (x6) taking care to avoid any hidden pipes or electrical cables.
4. Fix the wall channels with the 25mm c/s screws. (x6)



5. Ease the glass panel into the wall channel ensuring the chrome strip is at the bottom of the screen and the 'Shower Shield' is on the inside face. Adjust by gently easing the glass panel in or out of the wall channel.
6. Using a 3mm drill bit, drill through the wall channel on the inside of the enclosure, approx' 100mm from the top & bottom and centrally. Be careful to drill into the cavity only!
7. Screw together using the 10mm r/h screws, along with the cover cap washers. (x6) Then fit the chrome cover caps. Repeat the above steps for the glass side screen.



8. Depending on which hand the installation has been fitted, fit the adjustable end stop bracket onto the curved end of the stabilising bar. Loosely fit the wall bracket onto the opposite end of the bar.
9. Place the slotted section of the end stop bracket over the glass panel. When everything is plumb, mark the position of the wall bracket.
10. Remove the stabilising bar assembly, drill and plug for the wall bracket and secure into position using the 30mm c/s screws provided.
11. Re-locate the complete stabilising bar assembly and secure by tightening the grub screws in the bracket.
12. If a small return screen is to be fitted (optional), apply a small bead of silicone starting 50mm from the top edge and finishing 50mm from the bottom edge. Locate the small return screen onto the large screen and fit the wedge seal on the inside of the enclosure.
13. Finish off by running a bead of silicone sealant around the bottom edge of each glass panel, on the outside only.