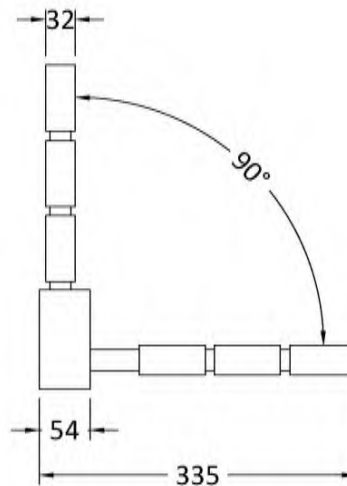
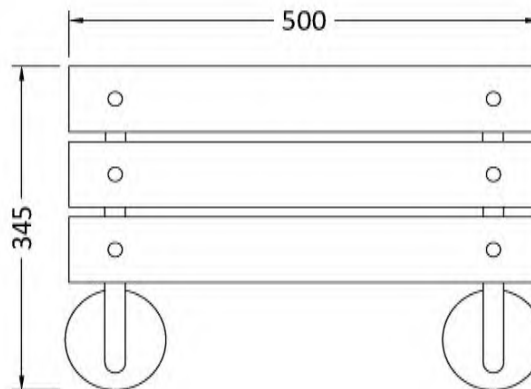


Sales Code: LA371

Description: Shower Seat C/P Hinges



Product Dimensions

Length (mm):	
Width (mm):	500
Height (mm):	345
Depth (mm):	345
Nett Weight (kg):	5.1

Packaging Dimensions

Height (mm):	515
Width (mm):	363
Depth (mm):	73
Gross Weight (kg):	5.1

Packaging Data

Box Colour:	White Cardboard Box
Box Qty:	1
Label Size:	100 x 50
Label Colour:	White Label
Label Qty:	2

Outer Box Dimensions (If Applicable)

Height (mm):	70
Width (mm):	360
Length (mm):	
Depth (mm):	
Gross Weight (kg):	
Barcode:	5055146128571

Product Details

Country of Origin:	China
Fitting Instruction:	No
CE Certification:	N/A
Product Material:	
Heating Element Wattage:	
Colour/Finish:	
Product Diameter:	
Connection Size:	