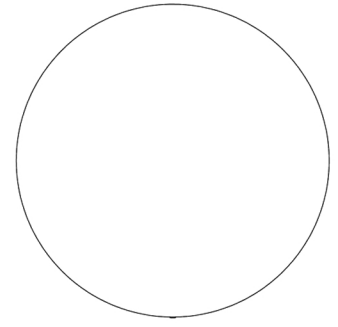


INSTALLATION INSTRUCTIONS

Illuminated LED Mirror IP44



IMPORTANT: Please read these instructions before commencing installation and retain for future reference.

Bathroom Lighting Zones:

0

Inside the bath or shower. Must be SELV (12V Max) due to water submersion. Minimum rating of IP67.

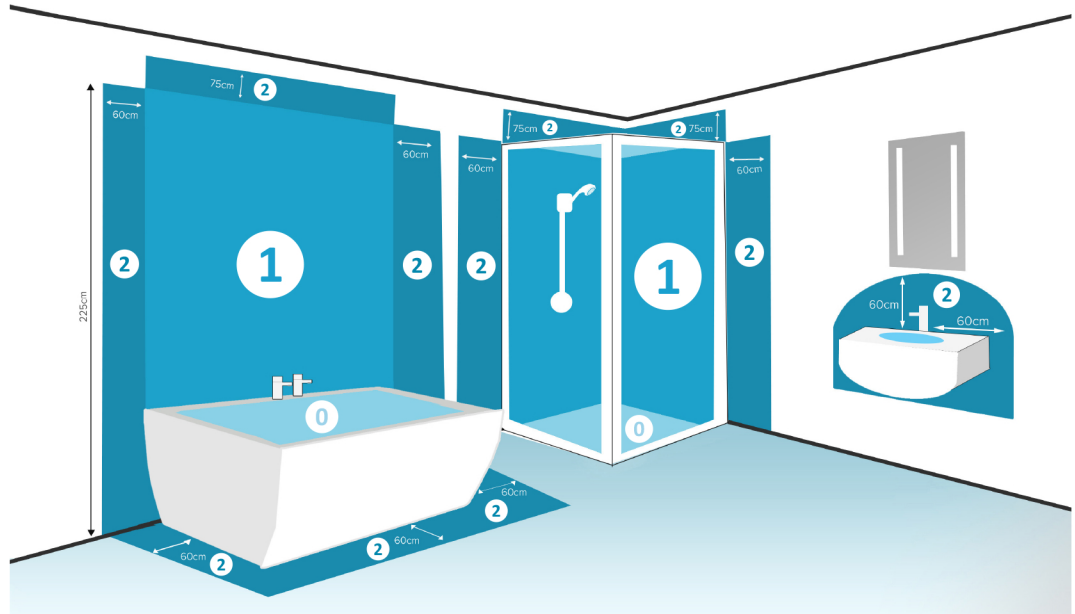
1

225cm above the bath or shower. Minimum rating of IP44.

2

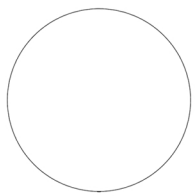
The area stretching to 60cm outside the bath or shower, and 60cm from the water outlet of the sink. An IP rating of at least IP44 is required.

This mirror is IP44 rated and suitable for installation in zone 2 and the outside zones.

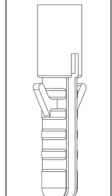


Outside Zones - Anywhere outside zones 0, 1 and 2, where water jets are not used for cleaning purposes, the general rules of BS7671 apply.

Components



Illuminated LED Mirror



4 x Rawl Plugs



4 x Screws



1 x Instructions Manual

Important Safety Information

Please read these instructions carefully before attempting to install this product. It is advisable to keep these instructions in a safe place for future reference.

We recommend that you consult a qualified electrician. All electrical installation must be carried out in accordance with the current IEE wiring regulations (BS7671) and the latest relevant building regulations.

This product must not be modified, if any modifications are made, it may invalidate the warranty and may render the product unsafe.

This product is for indoor use only.

Tools Required



Pencil



Screwdriver



Ø8mm Drill Bit



Power Drill

Safety Instructions

1. If in doubt, installation must be carried out by a qualified electrician.
2. Before commencing installation or maintenance, isolate the main electrical supply for the appropriate circuit at the fuse board.
3. This product is only suitable for connecting to a 240V 50Hz supply.
4. The mirror should be mounted onto a secure surface.

5. When installing, please take care to avoid water pipes, joints and electrical cables.
6. This product has a rating of IP44.
7. Do not exceed or stretch cables.

Waste Electrical & Electronic Equipment (WEEE)

The symbol on the product, or on the document accompanying the product, the crossed out wheelee bin symbol, indicates that this product may not be treated as household waste.

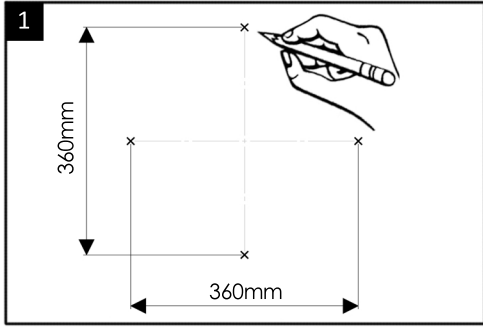
Instead it shall be handed over to the applicable collection point for the recycling of electrical and electronic waste.



RoHS Compliant ✓ CE

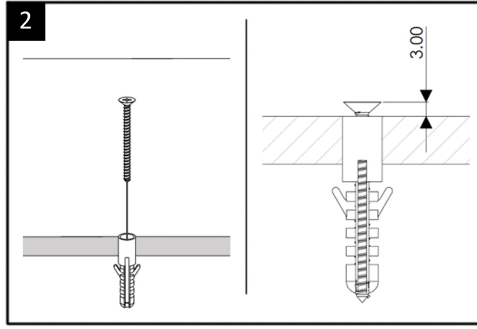
Illuminated LED Mirror IP44

Installation

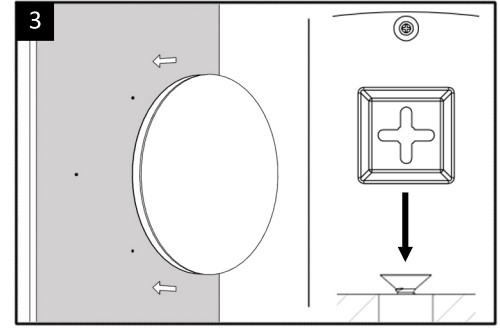


Carefully mark the desired position for the mirror using the dimensions shown above. Then proceed to drill the holes using the 8mm drill bit for the Rawl wall plugs and screws.

Note: Be careful to avoid any wiring or water pipes.



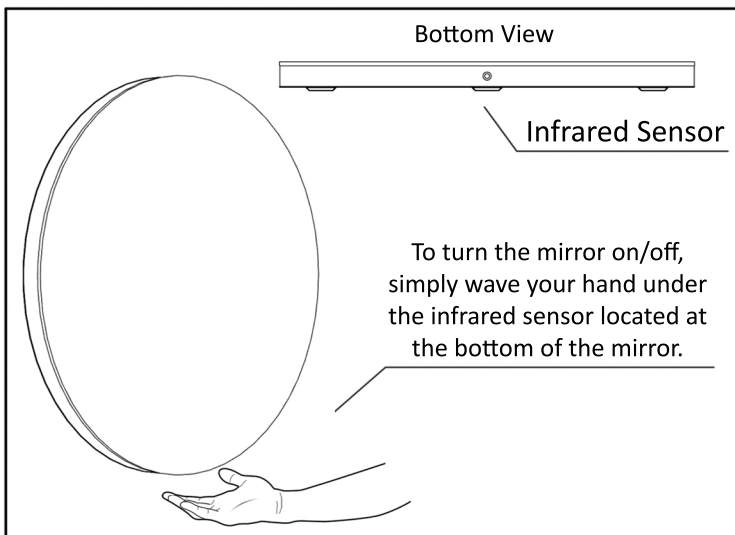
Insert the Rawl wall plugs and screws into the wall. Be sure to leave a gap of approximately 3mm between the wall and the screw head, so the screw is sticking out slightly.



Connect the cable to the mains supply and proceed to attach the mirror to the wall by slotting the brackets onto the wall mounting screws.

Note: Ensure that the infrared sensor is located at the bottom of the mirror when mounting.

Operation

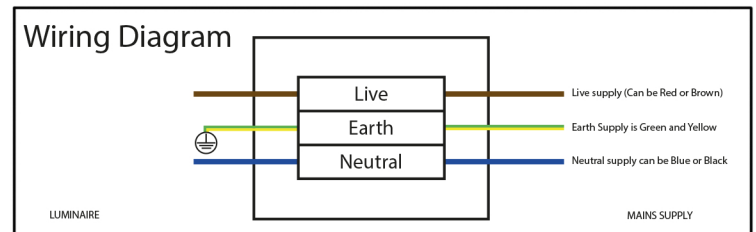


Product Overview

This is a stylish and unique round LED mirror, capable of making a design statement in any bathroom.

The perimeter of the mirror is fully illuminated to provide a soft glow and the light is cleverly diffused to give the contemporary look of no visible diodes.

The mirror also features an infrared sensor, which means the light can be switched on/off with the swipe of a hand, as well as a demister pad to ensure the mirror always stays perfectly clear.



Maintenance & Care

- Ensure that the power is disconnected prior to cleaning.
- To keep the finish of this product, wipe over with soft cloth periodically.
- Do not use harsh chemical solvents, this may dis-colour or damage the finish.
- Do not over-tighten screws on the terminal block.