

AUSTELL FIRE CLAY CERAMIC INSET SINK CAU10102WH/



Size: 1000 x 500 mm

The Austell sinks range pays homage to where its core raw material originates from; using clay sourced from the South-West of England Austell is formed. A modern design with bold lines, this new addition sits at home within a traditional or modern style kitchen.

- Reversible drainer
- Waste kit included
- 10 year warranty

RANGEmaster
sinks & taps

Material	Fire clay Ceramic
Material Gauge	-
Material Finish Bowl	-
Material Finish Drainer	-
Drainer Position	Reversible
Overall Length (mm)	1000
Overall Width (mm)	500
Main Bowl Length (mm)	340
Main Bowl Width (mm)	415
Main Bowl Depth (mm)	190
Second Bowl Length (mm)	170
Second Bowl Width (mm)	300
Second Bowl Depth (mm)	142
Tap hole Size (mm)	-
Waste Size (mm)	2 x 89
Waste Kit	Included with sink (2 x 89mm BSW & overflow kit)
Min. Base Unit (mm)	600
Cutout Size Length (mm)	970
Cutout Size Width (mm)	470
Warranty Sinks (years)	10
Product Code	CAU10102WH/
Barcode	5015834050478

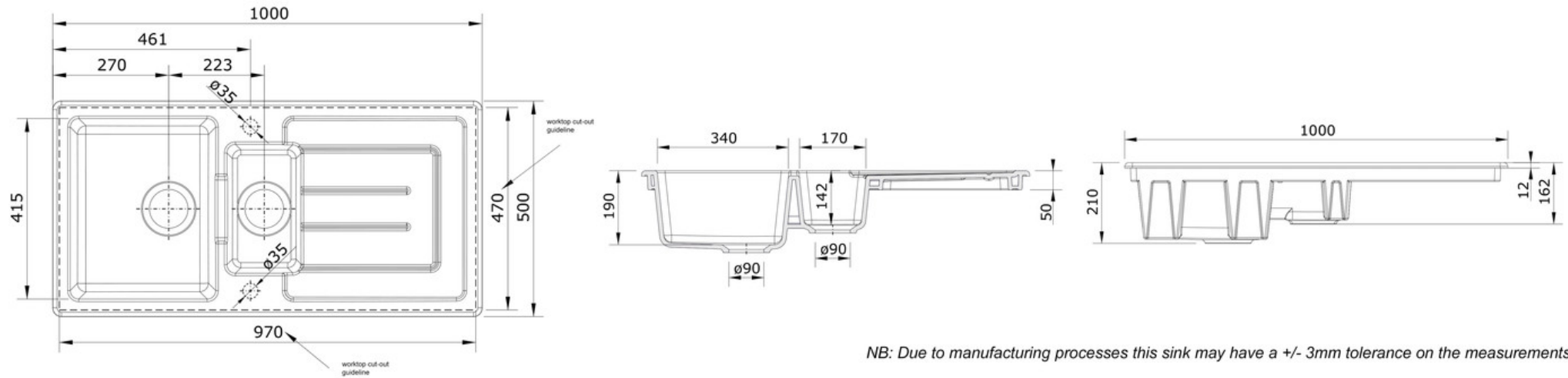
Date of download: August 26, 2022

AGA Rangemaster continuously seeks improvements in specification, design and production of products and thus, alterations take place periodically. Whilst every effort is made to produce up-to date resources, the information included here is intended as a guide. Always refer to the product's installation instructions when fitting, installation work should be completed a professional tradesman.

AUSTELL FIRE CLAY CERAMIC INSET SINK

CAU10102WH/

Technical Drawing



NB: Due to manufacturing processes this sink may have a +/- 3mm tolerance on the measurements.

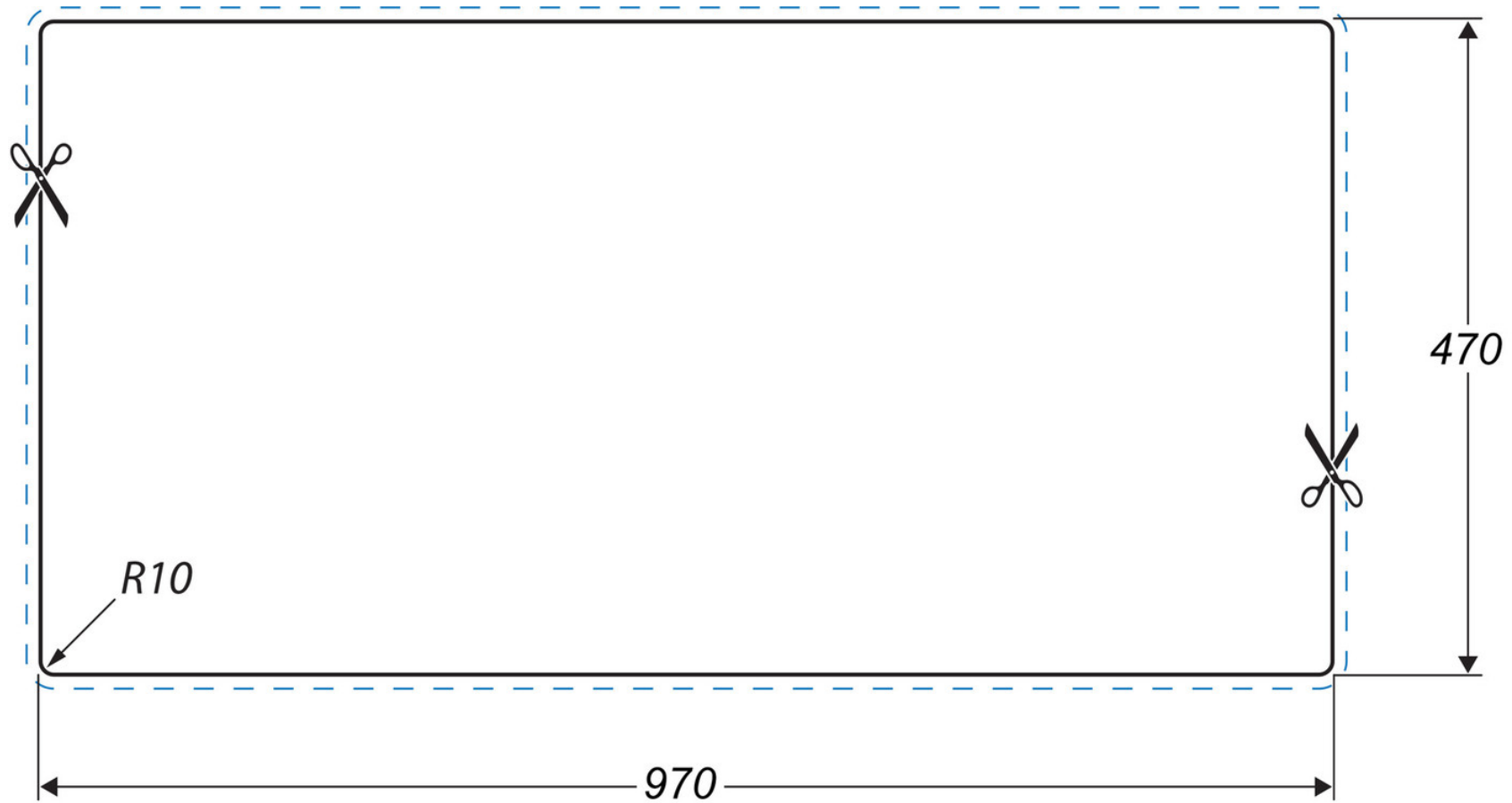
Date of download: August 26, 2022

AGA Rangemaster continuously seeks improvements in specification, design and production of products and thus, alterations take place periodically. Whilst every effort is made to produce up-to date resources, the information included here is intended as a guide. Always refer to the product's installation instructions when fitting, installation work should be completed a professional tradesman.

AUSTELL FIRE CLAY CERAMIC INSET SINK

CAU10102WH/

Cut Out Template
Dimensions in mm. Not to scale.



Date of download: August 26, 2022

AGA Rangemaster continuously seeks improvements in specification, design and production of products and thus, alterations take place periodically. Whilst every effort is made to produce up-to date resources, the information included here is intended as a guide. Always refer to the product's installation instructions when fitting, installation work should be completed a professional tradesman.