

## PORTLAND FIRE CLAY CERAMIC INSET SINK CPL10101WH/

**RANGEmaster**  
sinks & taps



Size: 1010 x 510 mm

Designed to sit elegantly within a variety of kitchen schemes, the charming Portland fire-clay ceramic kitchen sink bears a smooth, high gloss finish, being both easy to clean and durable.

- Reversible drainer
- Waste kit sold separately
- 10 year warranty

Material	Fire clay Ceramic
Material Gauge	-
Material Finish Bowl	-
Material Finish Drainer	-
Drainer Position	Reversible
Overall Length (mm)	1010
Overall Width (mm)	510
Main Bowl Length (mm)	460
Main Bowl Width (mm)	400
Main Bowl Depth (mm)	195
Second Bowl Length (mm)	-
Second Bowl Width (mm)	-
Second Bowl Depth (mm)	-
Tap hole Size (mm)	-
Waste Size (mm)	1 x 89
Waste Kit	Sold separately, please order WKIT15/
Min. Base Unit (mm)	600
Cutout Size Length (mm)	990
Cutout Size Width (mm)	490
Warranty Sinks (years)	10
Product Code	CPL10101WH/
Barcode	5015834045610

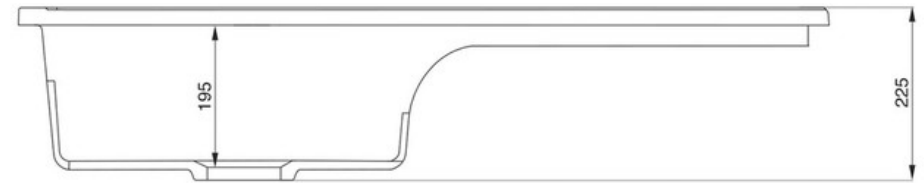
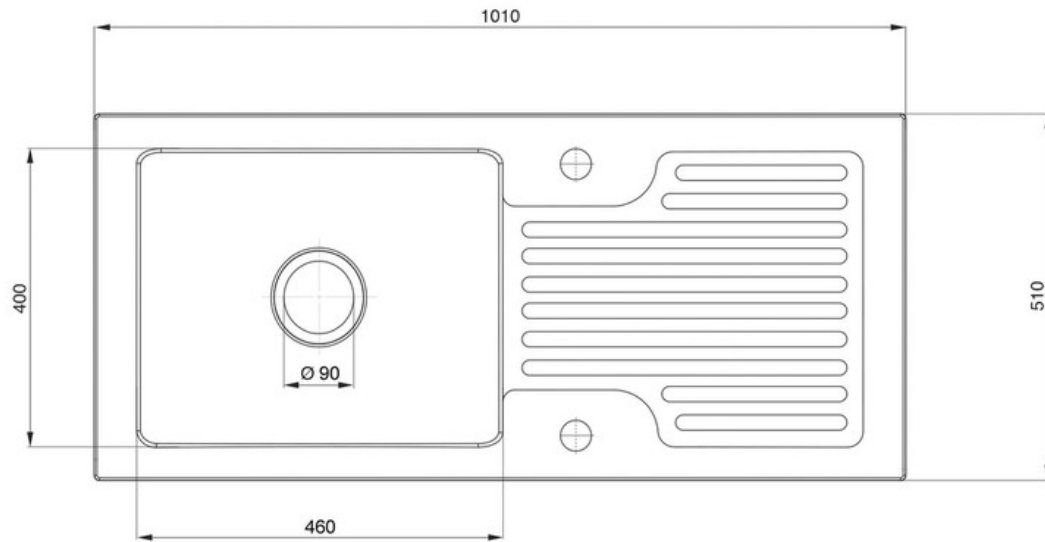
Date of download: August 27, 2022

AGA Rangemaster continuously seeks improvements in specification, design and production of products and thus, alterations take place periodically. Whilst every effort is made to produce up-to date resources, the information included here is intended as a guide. Always refer to the product's installation instructions when fitting, installation work should be completed a professional tradesman.

# PORTLAND FIRE CLAY CERAMIC INSET SINK

CPL10101WH/

Technical Drawing



NB. Due to manufacturing processes this sink may have a dimension tolerance as follows

Dimension Tolerance  $\pm 2\%$

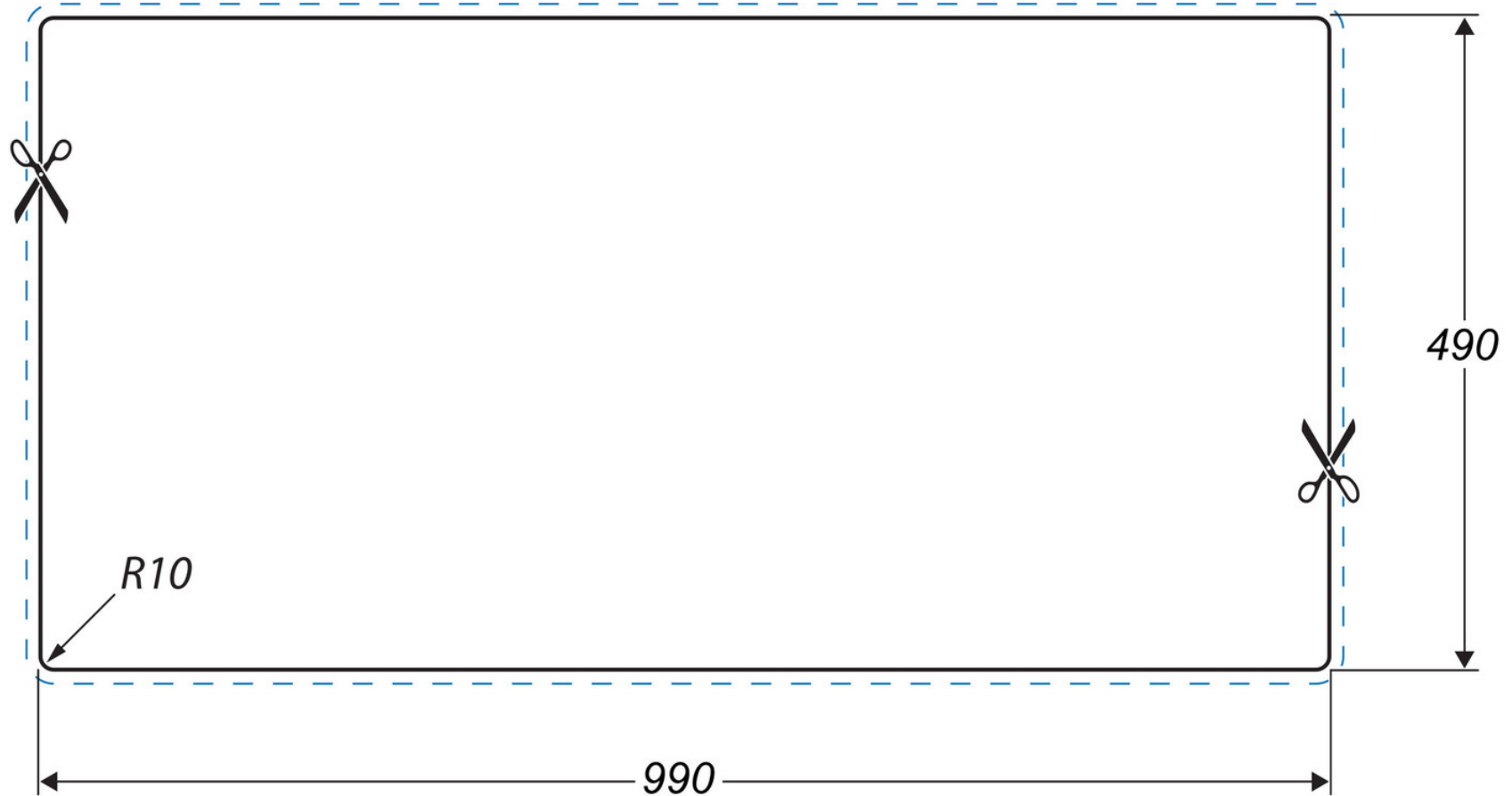
AGA Rangemaster continuously seeks improvements in specification, design and production of products and thus, alterations take place periodically. Whilst every effort is made to produce up-to date resources, the information included here is intended as a guide. Always refer to the product's installation instructions when fitting, installation work should be completed a professional tradesman.

## PORTLAND FIRE CLAY CERAMIC INSET SINK

CPL10101WH/

Cut Out Template

Dimensions in mm. Not to scale.



Date of download: August 27, 2022

AGA Rangemaster continuously seeks improvements in specification, design and production of products and thus, alterations take place periodically. Whilst every effort is made to produce up-to date resources, the information included here is intended as a guide. Always refer to the product's installation instructions when fitting, installation work should be completed a professional tradesman.