

RUSTIQUE FIRE CLAY CERAMIC INSET OR UNDERMOUNT SINK

CRUB4040WH/



Size: 462 x 462 mm

Fitted as either an inset or undermount sink, the Rustique kitchen sink collection provides a real focal point in the kitchen and contrasts excellently to all colours and features.

- Waste kit included
- 10 year warranty

RANGemaster
sinks & taps

Material	Fire clay Ceramic
Material Gauge	-
Material Finish Bowl	-
Material Finish Drainer	-
Drainer Position	
Overall Length (mm)	462
Overall Width (mm)	462
Main Bowl Length (mm)	400
Main Bowl Width (mm)	400
Main Bowl Depth (mm)	195
Second Bowl Length (mm)	-
Second Bowl Width (mm)	-
Second Bowl Depth (mm)	-
Tap hole Size (mm)	-
Waste Size (mm)	1 x 89
Waste Kit	Included with sink (1 x 89mm BSW & overflow kit)
Min. Base Unit (mm)	500
Cutout Size Length (mm)	390 / 440
Cutout Size Width (mm)	390 / 440
Warranty Sinks (years)	25
Product Code	CRUB4040WH/
Barcode	5015834050492

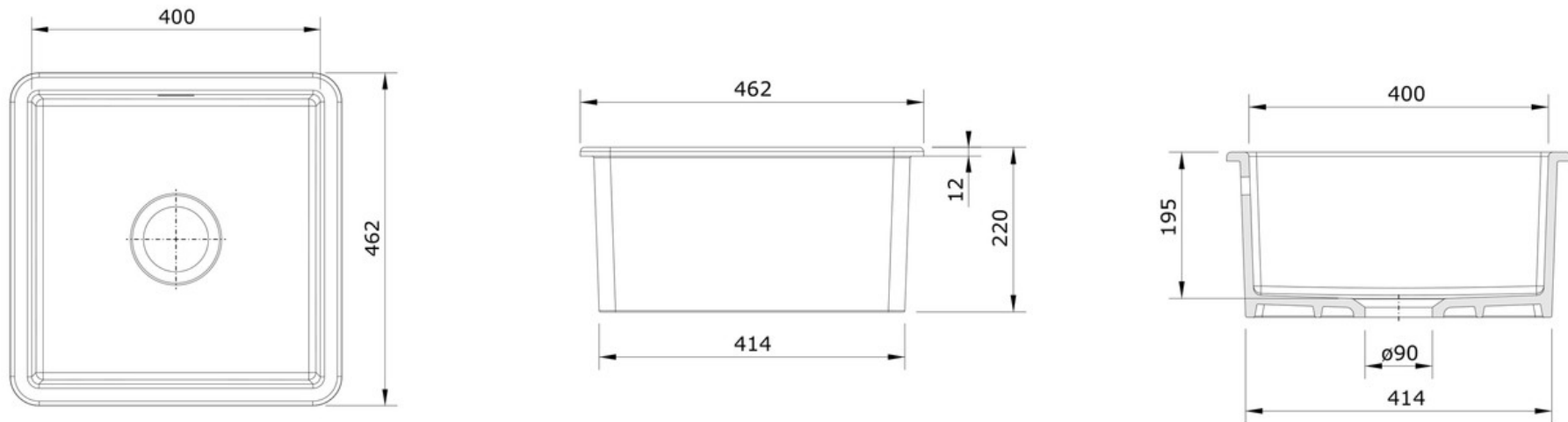
Date of download: August 29, 2022

AGA Rangemaster continuously seeks improvements in specification, design and production of products and thus, alterations take place periodically. Whilst every effort is made to produce up-to-date resources, the information included here is intended as a guide. Always refer to the product's installation instructions when fitting, installation work should be completed a professional tradesman.

RUSTIQUE FIRE CLAY CERAMIC INSET OR UNDERMOUNT SINK

CRUB4040WH/

Technical Drawing



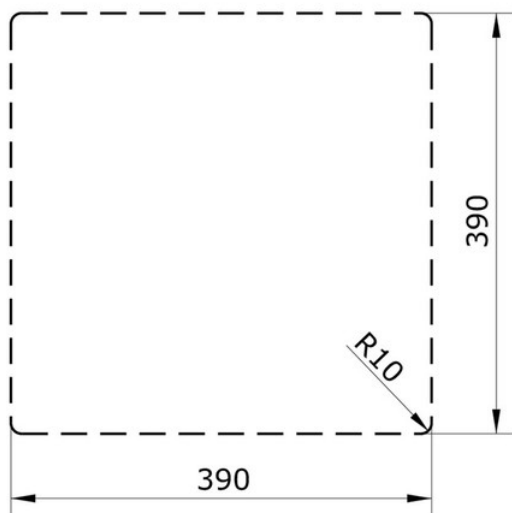
NB: Due to manufacturing processes this sink may have a +/- 3mm tolerance on the measurements.

AGA Rangemaster continuously seeks improvements in specification, design and production of products and thus, alterations take place periodically. Whilst every effort is made to produce up-to date resources, the information included here is intended as a guide. Always refer to the product's installation instructions when fitting, installation work should be completed a professional tradesman.

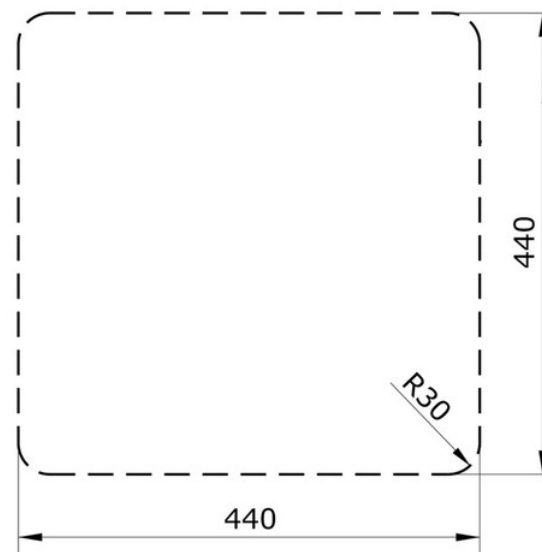
RUSTIQUE FIRE CLAY CERAMIC INSET OR UNDERMOUNT SINK CRUB4040WH/

Cut Out Template
Dimensions in mm. Not to scale.

UNDERMOUNT INSTALLATION



INSET INSTALLATION



Date of download: August 29, 2022

AGA Rangemaster continuously seeks improvements in specification, design and production of products and thus, alterations take place periodically. Whilst every effort is made to produce up-to date resources, the information included here is intended as a guide. Always refer to the product's installation instructions when fitting, installation work should be completed a professional tradesman.